



# DYNAFLEX PRODUCTS<sup>®</sup>

Heavy Duty Universal Exhaust Components Catalog



Reprint Issue: **UN108V2**

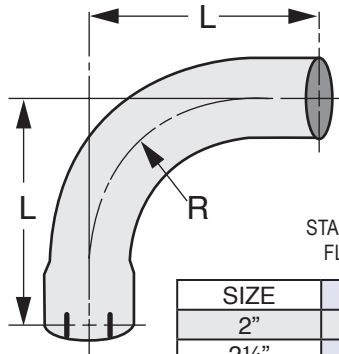
Dynaflex Products is an industry leading manufacturer of quality chrome plated “Monster Stacks,” universal wide-bore exhaust components, OEM replacement exhaust parts, and diesel emission control devices and accessories. Since 1972, our focus on innovation and not replication has helped us develop and maintain our quality brand identity and continues to be the driving force behind our business.

For the last 40 years Dynaflex Products has focused on providing superior products, unmatched customer service and on-time delivery. We will work our hardest at providing these same things to our customers for the next 40 years and beyond. We thank you for your business.

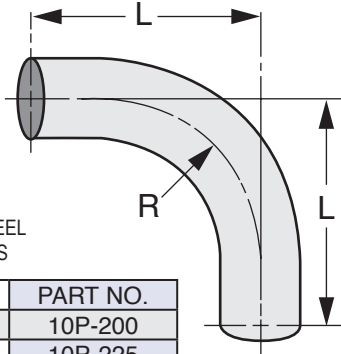
## TABLE OF CONTENTS

<b>Caps</b>		<b>Flanges</b>	
Inlet	92	Bolted Plate	64
Rain	42	Flared & Special	50-52
Stack	42	<b>Guard Assemblies</b>	
<b>Clamps</b>		Grab Handles	77,79
Narrow Band Clamp	60	Stack & Mufflers	28,74-76,79
E-Z Seal Flatband	59	Shield Mounting Clamp	77
Flat Band	59	<b>Replacement Parts</b>	
Full Circle	55	Gasket	72
Hanger	56	Retainer	72
Heavy-Duty	57-58	Resonators	77
Mounting Bracket	39,57	Spark Arrestor	80
Muffler	77	Spool & Lower Stack Piece	19
Muffler Shield	77	<b>Stacks</b>	
OEM Wide Band Butt Joint	40	Car Hauler/Dump Truck	13
OEM Wide Band Socket Joint	41	Curved	14,17,18,21,22
Tru-Seal	59	Long Curved	15
Lap Joint Exhaust Clamp	60	Mitered	11,17,18,20
V-Band with Hinge	73	Slash Cut	16, 18,21
V-Band Manifold	73	Straight	10, 18, 20
Manifold	49	6-5,7-5,8-5 Reduced	12 & 22
Tilt Cab	47-48	One Piece	17
Tube/Turbo Connector	53	<b>Combo Kits</b>	
Bushings	39	Freightliner	31
<b>Couplers</b>		Kenworth	32-37
Flex Hose	43	Peterbilt	23-30
<b>Dividers-R</b>		Western Star	38
Exhaust “Y”	43-44	<b>Tube Connectors</b>	
Exhaust “T”	45-46	Disconnect	55
<b>Elbows</b>		Stack Breaker	54
Adjustable	8	<b>Tubing</b>	
90-Deg Standard Radius	2	Aluminum	93
90-Deg Standard Radius Long Lengths	2	Flexible Metal	61-62
90-Deg Short Radius	4	Straight & Bendable	9
90-Deg Short Radius Long Lengths	4	<b>Mufflers</b>	
45-Deg Standard Radius	6	Mufflers	82-91
45-Deg Standard Radius Long Lengths	6	Muffler-Stacks	78
45-Deg Short Radius	7	<b>Thermal Insulation</b>	
45-Deg Short Radius Long Lengths	7	Thermal Tape Wrap	94
180-Deg Standard Radius	3	<b>Mounting System</b>	
180-Deg Short Radius	5	Chassis Grabber	95-96
Tangent Ends Standard Radius	3		
Tangent Ends Short Radius	5	Aluminum Tubing	93
Expanders/Reducers	46-47	Ball Joints	62-64
Flex Tube Connector	43	Bellows Assemblies	64-71
		School Bus Exhaust Pipes	8

## 90° ELBOWS STANDARD RADIUS



STYLE 10  
EXPANDED AND  
SLOTTED END



STYLE 10P  
PLAIN ENDS

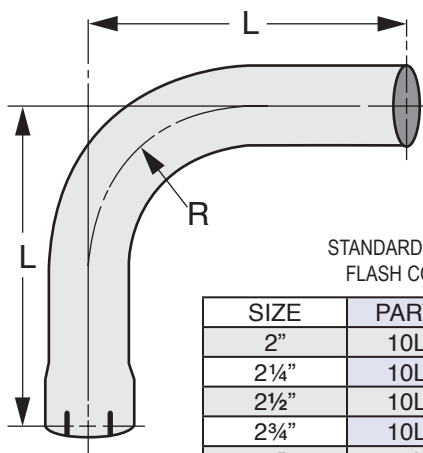
RADIUS = 2 TIMES TUBE DIAMETER  
STANDARD MATERIAL 16 GAUGE COLD ROLLED ALUMINUM KILLED STEEL  
FLASH CONTROLLED ELECTRIC WELD WITH SMOOTH INSIDE RADIUS

SIZE	PART NO.	L	R	GAUGE	PART NO.
2"	10-200	6"	4"	16	10P-200
2¼"	10-225	6½"	4½"	16	10P-225
2½"	10-250	7"	5"	16	10P-250
2¾"	10-275	8"	5½"	16	10P-275
3"	10-300	8½"	6"	16	10P-300
3½"	10-350	10"	7"	16	10P-350
4"	10-400	11½"	8"	16	10P-400
4½"	10-450	13"	9"	16	10P-450
5"	10-500	14"	10"	16	10P-500
6"	10-600	17"	12"	16	10P-600

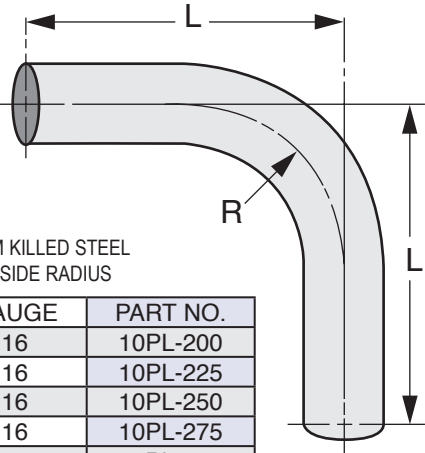
ALTERNATE MATERIALS:      EXAMPLE  
ADD CP FOR CHROME PLATE      10-400CP  
ADD AZ FOR ALUMINIZED (2"-6" ONLY)      10-400AZ

ALTERNATE MATERIALS:      EXAMPLE  
ADD S FOR STAINLESS STEEL      10-400S

## 90° ELBOWS LONG LENGTHS STANDARD RADIUS



STYLE 10L  
EXPANDED &  
SLOTTED END



STYLE 10PL  
PLAIN ENDS

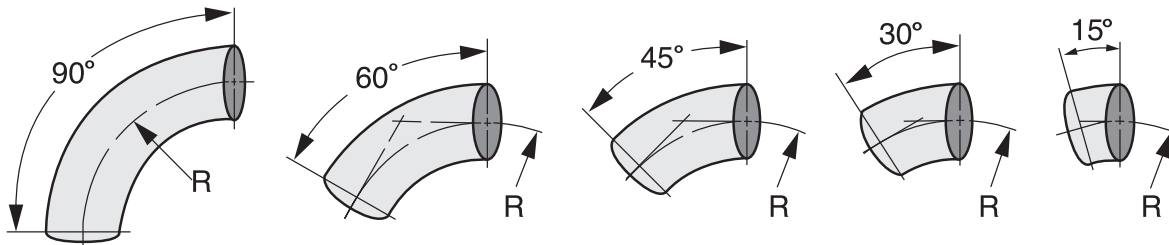
RADIUS = 2 TIMES TUBE DIAMETER  
STANDARD MATERIAL 16 GAUGE COLD ROLLED ALUMINUM KILLED STEEL  
FLASH CONTROLLED ELECTRIC WELD WITH SMOOTH INSIDE RADIUS

SIZE	PART NO.	L	R	GAUGE	PART NO.
2"	10L-200	9"	4"	16	10PL-200
2¼"	10L-225	9½"	4½"	16	10PL-225
2½"	10L-250	10½"	5"	16	10PL-250
2¾"	10L-275	11½"	5½"	16	10PL-275
3"	10L-300	12½"	6"	16	10PL-300
3½"	10L-350	14½"	7"	16	10PL-350
4"	10L-400	16"	8"	16	10PL-400
4½"	10L-450	17"	9"	16	10PL-450
5"	10L-500	18"	10"	16	10PL-500
6"	10L-600	23"	12"	16	10PL-600

ALTERNATE MATERIALS:      EXAMPLE  
ADD CP FOR CHROME PLATE      10L-400CP  
ADD AZ FOR ALUMINIZED (2"-6" ONLY)      10L-400AZ

ALTERNATE MATERIALS:      EXAMPLE  
ADD S FOR STAINLESS STEEL      10L-400S

## STANDARD RADIUS TANGENT ENDS 90° 60° 45° 30° 15° ELBOWS



RADIUS = 2 TIMES TUBE DIAMETER      STYLE 10T  
STANDARD MATERIAL COLD ROLLED ALUMINUM KILLED STEEL 16 GAUGE

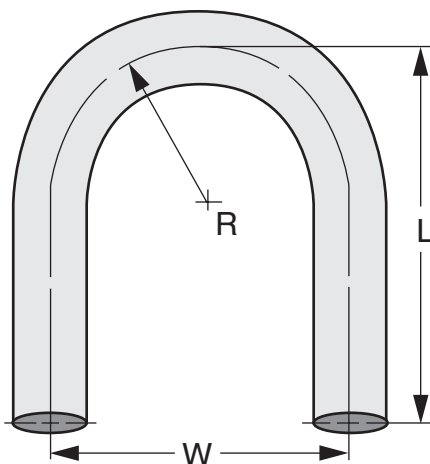
SIZE	90° PART NO.	60° PART NO.	45° PART NO.	30° PART NO.	15° PART NO.	R
2"	10T-200-90	10T-200-60	10T-200-45	10T-200-30	10T-200-15	4"
2¼"	10T-225-90	10T-225-60	10T-225-45	10T-225-30	10T-225-15	4½"
2½"	10T-250-90	10T-250-60	10T-250-45	10T-250-30	10T-250-15	5"
2¾"	10T-275-90	10T-275-60	10T-275-45	10T-275-30	10T-275-15	5½"
3½"	10T-350-90	10T-350-60	10T-350-45	10T-350-30	10T-350-15	7"
4"	10T-400-90	10T-400-60	10T-400-45	10T-400-30	10T-400-15	8"
5"	10T-500-90	10T-500-60	10T-500-45	10T-500-30	10T-500-15	10"
6"	10T-600-90	10T-600-60	10T-600-45	10T-600-30	10T-600-15	12"

ALTERNATE MATERIALS:  
ADD AZ FOR ALUMINIZED (2"-6" Only)  
ADD S FOR STAINLESS STEEL

EXAMPLE  
10T-400-90AZ  
10T-400-90S

## STANDARD RADIUS 180° U-BENDS

STANDARD MATERIAL COLD ROLLED  
ALUMINUM KILLED STEEL 16 GAUGE



STYLE 10U

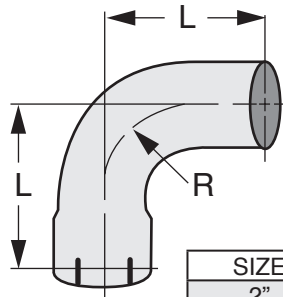
RADIUS = 2 TIMES  
TUBE DIAMETER

SIZE	PART NO.	L	R	W
2"	10U-200	10"	4"	8"
2½"	10U-250	12½"	5"	10"
2¼"	10U-225	11½"	4½"	9"
2¾"	10U-275	13½"	5½"	11"
3"	10U-300	15"	6"	12"
3½"	10U-350	18"	7"	14"
4"	10U-400	20"	8"	16"
5"	10U-500	25"	10"	20"
6"	10U-600	30"	12"	24"

ALTERNATE MATERIALS:  
ADD AZ FOR ALUMINIZED (2"-6" Only)  
\*ADD S FOR STAINLESS STEEL  
\*SPECIAL ORDER ONLY

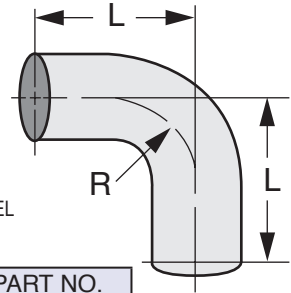
EXAMPLE  
10U-400AZ  
10U-400S

## SHORT RADIUS 90° ELBOWS



STYLE 11  
EXPANDED &  
SLOTTED END

STYLE 11P  
PLAIN ENDS



RADIUS = TUBE DIAMETER

STANDARD MATERIAL 16 GAUGE COLD ROLLED ALUMINUM KILLED STEEL  
FLASH CONTROLLED ELECTRIC WELD WITH SMOOTH INSIDE RADIUS

SIZE	PART NO.	L	R	GAUGE	PART NO.
2"	11-200	4"	2"	16	11P-200
2¼"	11-225	4"	2¼"	16	11P-225
2½"	11-250	4½"	2½"	16	11P-250
2¾"	11-275	5"	2¾"	16	11P-275
3"	11-300	5½"	3"	16	11P-300
3½"	11-350	6½"	3½"	16	11P-350
4"	11-400	7½"	4"	16	11P-400
4½"	11-450	8"	4½"	16	11P-450
5"	11-500	9"	5"	16	11P-500
6"	11-600	11"	6"	16	11P-600
8"	11-800	15"	8"	15	11P-800
10"***	11-1000	19"	10"	12	11P-1000
12"***	11-1200	23"	12"	12	11P-1200

ALTERNATE MATERIALS:

ADD CP FOR CHROME PLATE

ADD AZ FOR ALUMINIZED (2"-6" ONLY)

EXAMPLE

11-500CP

11-500AZ

ALTERNATE MATERIALS:

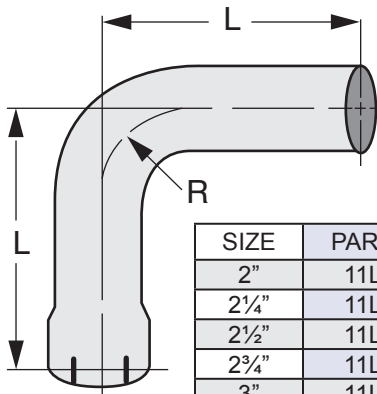
ADD S FOR STAINLESS STEEL

\*\*WELDED CONSTRUCTION

EXAMPLE

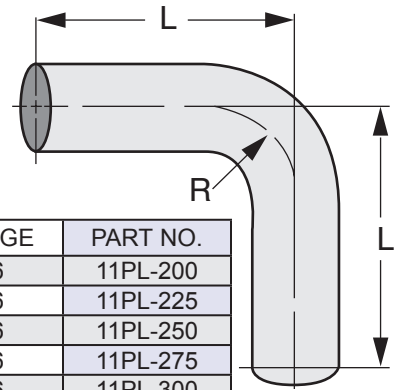
11-500S

## SHORT RADIUS 90° ELBOWS LONG LENGTHS



STYLE 11L  
EXPANDED &  
SLOTTED END

STYLE 11PL  
PLAIN ENDS



SIZE	PART NO.	L	R	GAUGE	PART NO.
2"	11L-200	6"	2"	16	11PL-200
2¼"	11L-225	6¾"	2¼"	16	11PL-225
2½"	11L-250	7½"	2½"	16	11PL-250
2¾"	11L-275	8¼"	2¾"	16	11PL-275
3"	11L-300	9"	3"	16	11PL-300
3½"	11L-350	10"	3½"	16	11PL-350
4"	11L-400	12"	4"	16	11PL-400
4½"	11L-450	13½"	4½"	16	11PL-450
5"	11L-500	15"	5"	16	11PL-500
6"	11L-600	17"	6"	16	11PL-600
8"	11L-800	24"	8"	15	11PL-800
10"***	11L-1000	30"	10"	12	11PL-1000
12"***	11L-1200	36"	12"	12	11PL-1200

ALTERNATE MATERIALS:

ADD CP FOR CHROME PLATE

ADD AZ FOR ALUMINIZED (2"-6" ONLY)

EXAMPLE

11L-500CP

11L-500AZ

ALTERNATE MATERIALS (CONT):

ADD S FOR STAINLESS STEEL

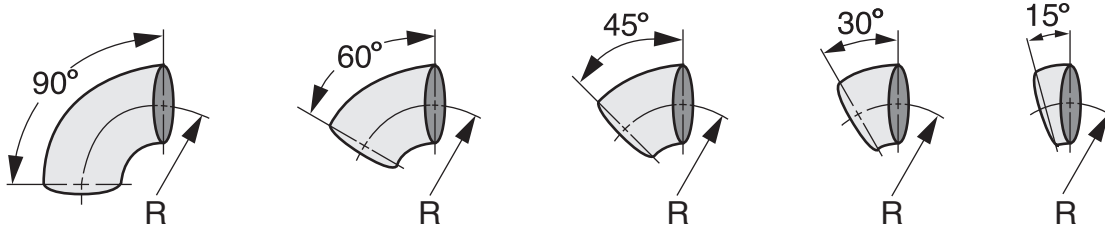
\*\*WELDED CONSTRUCTION

EXAMPLE

11L-500S

## SHORT RADIUS TANGENT ENDS

### 90° 60° 45° 30° 15° ELBOWS



RADIUS = TUBE DIAMETER      STYLE 11T      TANGENT ENDS  
STANDARD MATERIAL COLD ROLLED ALUMINUM KILLED STEEL

SIZE	GAUGE	90° PART NO.	60° PART NO.	45° PART NO.	30° PART NO.	15° PART NO.
2"	16	11T-200-90	11T-200-60	11T-200-45	11T-200-30	11T-200-15
2¼"	16	11T-225-90	11T-225-60	11T-225-45	11T-225-30	11T-225-15
2½"	16	11T-250-90	11T-250-60	11T-250-45	11T-250-30	11T-250-15
2¾"	16	11T-275-90	11T-275-60	11T-275-45	11T-275-30	11T-275-15
3"	16	11T-300-90	11T-300-60	11T-300-45	11T-300-30	11T-300-15
3½"	16	11T-350-90	11T-350-60	11T-350-45	11T-350-30	11T-350-15
4"	16	11T-400-90	11T-400-60	11T-400-45	11T-400-30	11T-400-15
4½"	16	11T-450-90	11T-450-60	11T-450-45	11T-450-30	11T-450-15
5"	16	11T-500-90	11T-500-60	11T-500-45	11T-500-30	11T-500-15
6"	16	11T-600-90	11T-600-60	11T-600-45	11T-600-30	11T-600-15
8"	12	11T-800-90	11T-800-60	11T-800-45	11T-800-30	11T-800-15
10"***	12	11T-1000-90	11T-1000-60	11T-1000-45	11T-1000-30	11T-1000-15
12"***	12	11T-1200-90	11T-1200-60	11T-1200-45	11T-1200-30	11T-1200-15

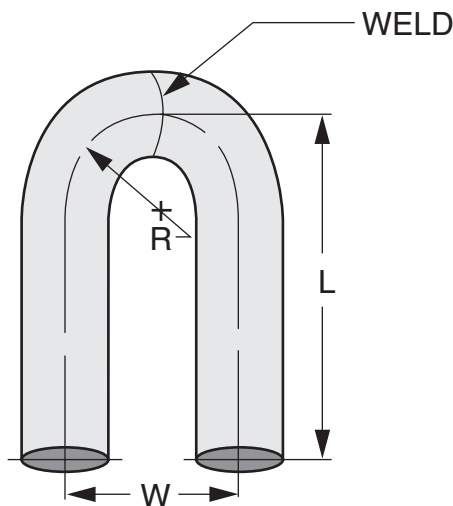
10" & 12" ARE WELDED CONSTRUCTION  
ALTERNATE MATERIALS:  
ADD AZ FOR ALUMINIZED (2"-6" Only)  
ADD S FOR STAINLESS STEEL

EXAMPLE  
11T-500-90AZ  
11T-500-90S

\*\*WELDED CONSTRUCTION

## SHORT RADIUS 180° U-BENDS

STANDARD MATERIAL COLD ROLLED  
ALUMINUM KILLED STEEL 16 GAUGE



SIZE	PART NO.	L	R	W
2"	11U-200	6"	2"	4"
2¼"	11U-225	6¾"	2¼"	4½"
2½"	11U-250	7½"	2½"	5"
2¾"	11U-275	8¼"	2¾"	5½"
3"	11U-300	9"	3"	6"
3½"	11U-350	10"	3½"	7"
4"	11U-400	12"	4"	8"
4½"	11U-450	13½"	4½"	9"
5"	11U-500	15"	5"	10"
6"	11U-600	17"	6"	12"

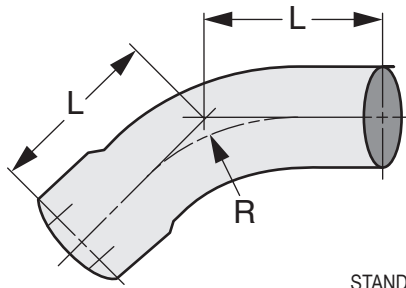
RADIUS = TUBE DIAMETER  
WELDED CONSTRUCTION

ALTERNATE MATERIALS:  
ADD AZ FOR ALUMINIZED (2"-6" Only)  
ADD S FOR STAINLESS STEEL

EXAMPLE  
11U-500AZ  
11U-500S

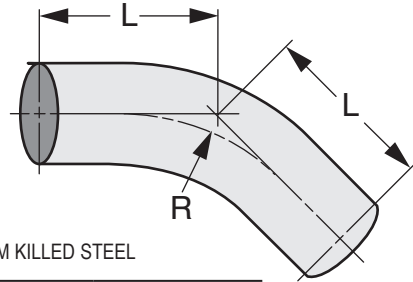
\*SPECIAL ORDER ONLY

## STANDARD RADIUS 45° ELBOWS



STYLE 12  
EXPANDED &  
SLOTTED END

STYLE 12P  
PLAIN ENDS



RADIUS = 2 TIMES TUBE DIAMETER  
STANDARD MATERIAL 16 GAUGE COLD ROLLED ALUMINUM KILLED STEEL

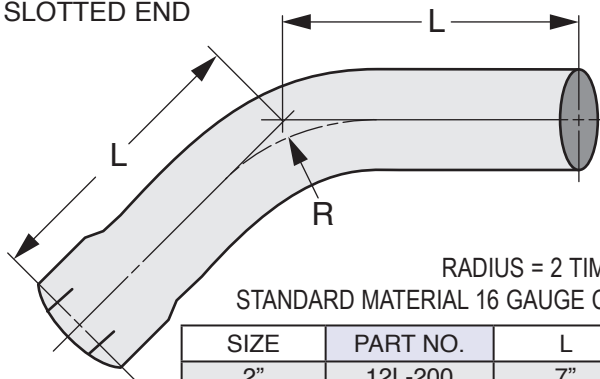
SIZE	PART NO.	L	R	GAUGE	PART NO.
2"	12-200	4"	4"	16	12P-200
2¼"	12-225	4½"	4½"	16	12P-225
2½"	12-250	5"	5"	16	12P-250
2¾"	12-275	5½"	5½"	16	12P-275
3"	12-300	5½"	6"	16	12P-300
3½"	12-350	6½"	7"	16	12P-350
4"	12-400	7"	8"	16	12P-400
4½"	12-450	7½"	9"	16	12P-450
5"	12-500	8"	10"	16	12P-500
6"	12-600	10"	12"	16	12P-600

ALTERNATE MATERIALS:      EXAMPLE  
ADD CP FOR CHROME PLATE      12-500CP  
ADD AZ FOR ALUMINIZED (2"-6" ONLY)      12-500AZ

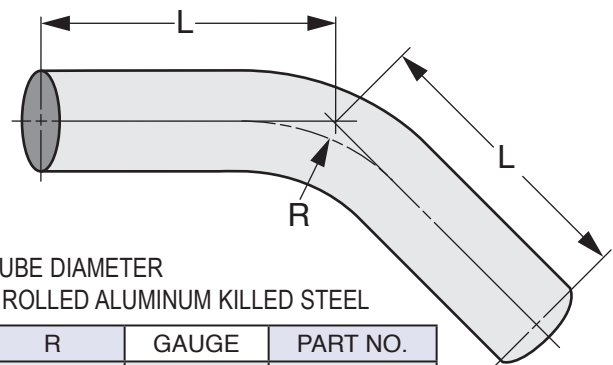
ALTERNATE MATERIALS:      EXAMPLE  
ADD S FOR STAINLESS STEEL      12-500S

## STANDARD RADIUS 45° ELBOWS LONG LENGTHS

STYLE 12L  
EXPANDED &  
SLOTTED END



STYLE 12PL  
PLAIN ENDS



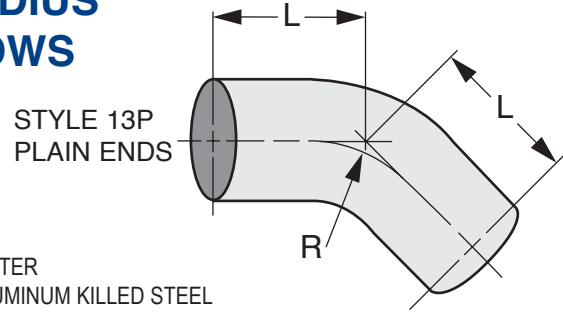
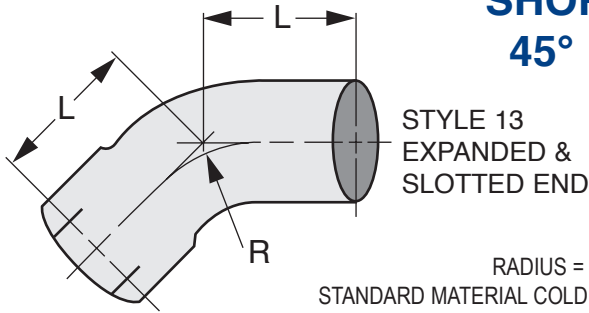
RADIUS = 2 TIMES TUBE DIAMETER  
STANDARD MATERIAL 16 GAUGE COLD ROLLED ALUMINUM KILLED STEEL

SIZE	PART NO.	L	R	GAUGE	PART NO.
2"	12L-200	7"	4"	16	12PL-200
2¼"	12L-225	7½"	4½"	16	12PL-225
2½"	12L-250	8"	5"	16	12PL-250
2¾"	12L-275	8"	5½"	16	12PL-275
3"	12L-300	8½"	6"	16	12PL-300
3½"	12L-350	9½"	7"	16	12PL-350
4"	12L-400	11½"	8"	16	12PL-400
4½"	12L-450	12"	9"	16	12PL-450
5"	12L-500	13½"	10"	16	12PL-500
6"	12L-600	17"	12"	16	12PL-600

ALTERNATE MATERIALS:      EXAMPLE  
ADD CP FOR CHROME PLATE      12L-500CP  
ADD AZ FOR ALUMINIZED (2"-6" ONLY)      12L-500AZ

ALTERNATE MATERIALS:      EXAMPLE  
ADD S FOR STAINLESS STEEL      12L-500S

## SHORT RADIUS 45° ELBOWS



RADIUS = TUBE DIAMETER  
STANDARD MATERIAL COLD ROLLED ALUMINUM KILLED STEEL

SIZE	PART NO.	L	R	GAUGE	PART NO.
2"	13-200	3"	2"	16	13P-200
2¼"	13-225	3"	2¼"	16	13P-225
2½"	13-250	3½"	2½"	16	13P-250
2¾"	13-275	3¾"	2¾"	16	13P-275
3"	13-300	4"	3"	16	13P-300
3½"	13-350	4½"	3½"	16	13P-350
4"	13-400	5"	4"	16	13P-400
4½"	13-450	5½"	4½"	16	13P-450
5"	13-500	6"	5"	16	13P-500
6"	13-600	7"	6"	16	13P-600
8"	13-800	9"	8"	15	13P-800
10" **	13-1000	11"	10"	12	13P-1000
12" **	13-1200	12"	12"	12	13P-1200

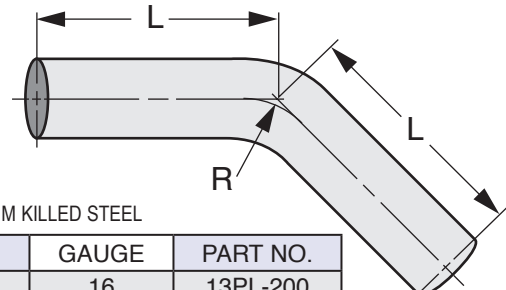
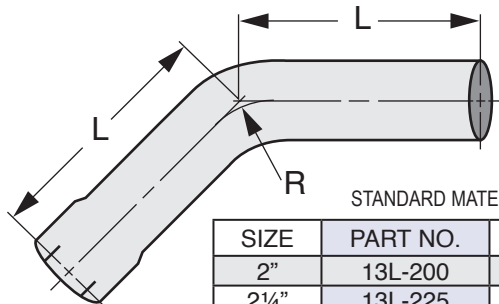
ALTERNATE MATERIALS:      EXAMPLE  
ADD CP FOR CHROME PLATE      13-500CP  
ADD AZ FOR ALUMINIZED (2"-6" ONLY)      13-500AZ

ALTERNATE MATERIALS (CONT):      EXAMPLE  
ADD S FOR STAINLESS STEEL      13-500S  
\*\*WELDED CONSTRUCTION

STYLE 13  
EXPANDED &  
SLOTTED END

## SHORT RADIUS 45° ELBOWS LONG LENGTHS

STYLE 13P  
PLAIN ENDS



RADIUS = TUBE DIAMETER  
STANDARD MATERIAL COLD ROLLED ALUMINUM KILLED STEEL

SIZE	PART NO.	L	R	GAUGE	PART NO.
2"	13L-200	5"	2"	16	13PL-200
2¼"	13L-225	5½"	2¼"	16	13PL-225
2½"	13L-250	6"	2½"	16	13PL-250
2¾"	13L-275	6½"	2¾"	16	13PL-275
3"	13L-300	7"	3"	16	13PL-300
3½"	13L-350	8"	3½"	16	13PL-350
4"	13L-400	9"	4"	16	13PL-400
4½"	13L-450	10"	4½"	16	13PL-450
5"	13L-500	11"	5"	16	13PL-500
6"	13L-600	13"	6"	16	13PL-600
8"	13L-800	14"	8"	15	13PL-800
10" **	13L-1000	16"	10"	12	13PL-1000
12" **	13L-1200	17"	12"	12	13PL-1200

ALTERNATE MATERIALS:      EXAMPLE  
ADD CP FOR CHROME PLATE      13L-500CP  
ADD AZ FOR ALUMINIZED (2"-6" ONLY)      13L-500AZ

ALTERNATE MATERIALS (CONT):      EXAMPLE  
ADD S FOR STAINLESS STEEL      13L-500S  
\*\*WELDED CONSTRUCTION

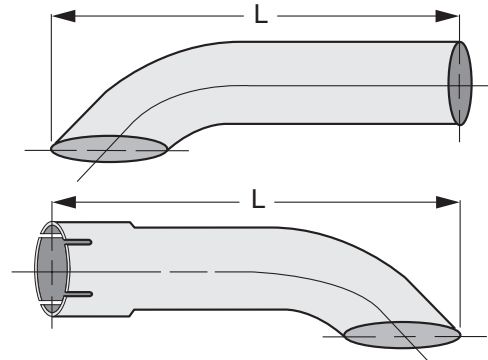


## SCHOOL BUS & RV EXHAUST COMPONENTS TAIL PIPE SPOUT

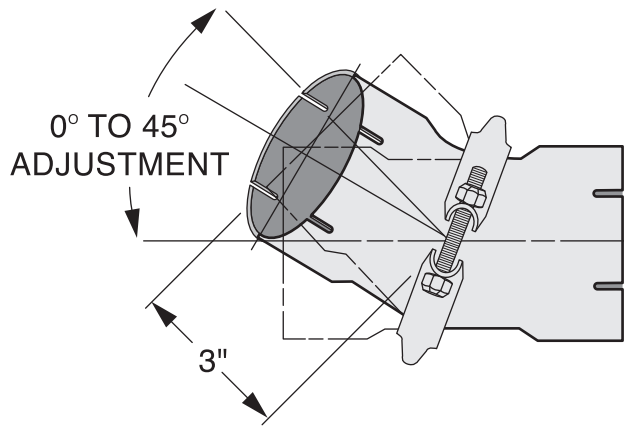
SIZE	L	STYLE 25P PART NO.	STYLE 25 PART NO.
2"	12"	25P-20012	25-20012
2¼"	12"	25P-22512	25-22512
2½"	12"	25P-25012	25-25012
2¾"	12"	25P-27512	25-27512
3"	12"	25P-30012	25-30012
3½"	14"	25P-35014	25-35014
4"	14"	25P-40014	25-40014

ALTERNATE MATERIALS:  
ADD CP FOR CHROME PLATE  
ADD S FOR STAINLESS STEEL

EXAMPLE:  
25P-30012CP  
25P-30012S

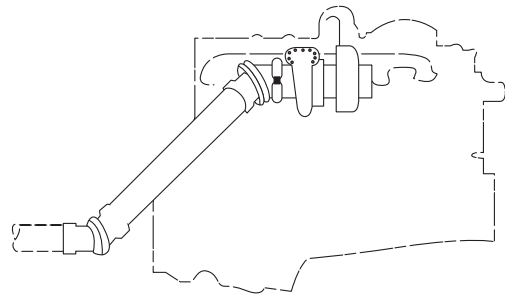


## ADJUSTABLE ELBOW: 0° TO 45°

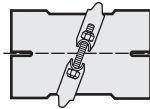


- MAKES ANY ANGLE FROM 0 TO 45 DEGREES
- ELIMINATED MITRE AND CUSTOM ELBOWS
- CLAMP PROVIDES A QUICK DISCONNECT
- ASSURES PERFECT ALIGNMENT

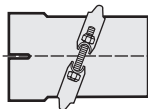
ILLUSTRATION SHOWS HOW ADJUSTABLE ELBOWS SIMPLIFY EXHAUST PIPING.



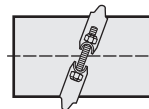
FIVE STYLES  
AVAILABLE



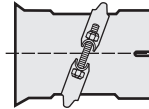
-1



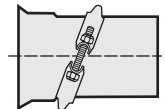
-2



-3



-4

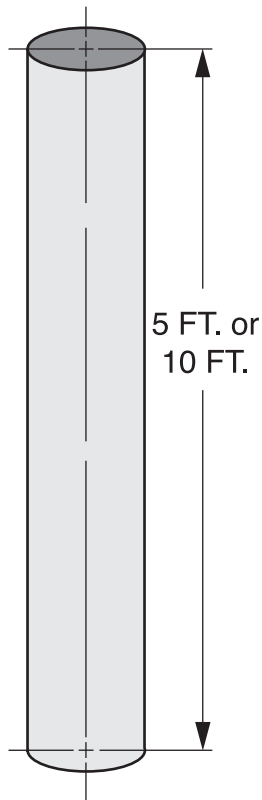


-5

SIZE	BOTH ENDS SLOTTED	SLOTTED & O.D. END	BOTH ENDS O.D.	FLANGED & SLOTTED END	FLANGED & O.D. END
3"	19-300-1AZ	19-300-2AZ	19-300-3AZ	19-300-4AZ	19-300-5AZ
3½"	19-350-1AZ	19-350-2AZ	19-350-3AZ	19-350-4AZ	19-350-5AZ
4"	19-400-1AZ	19-400-2AZ	19-400-3AZ	19-400-4AZ	19-400-5AZ
5"	19-500-1AZ	19-500-2AZ	19-500-3AZ	19-500-4AZ	19-500-5AZ

ADJUST ELBOWS ARE ALUMINIZED AND INDIVIDUALLY PACKAGED.  
AVAILABLE IN CHROME PLATE: CP  
EXAMPLE: 19-400-1CP

## STRAIGHT STEEL EXHAUST TUBING



### STANDARD MATERIAL: CARBON STEEL

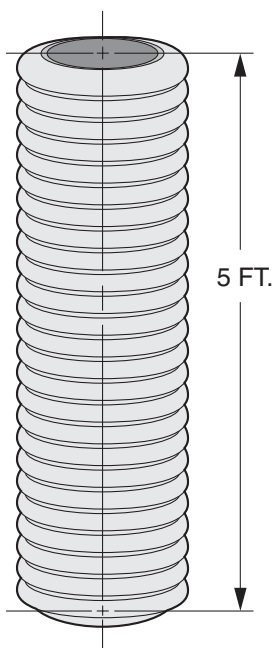
SIZE	PART NO.	GAUGE
1"	22-100	16
1¼"	22-125	16
1½"	22-150	16
1¾"	22-175	16
2"	22-200	16
2¼"	22-225	16
2½"	22-250	16
2¾"	22-275	16
3"	22-300	16
3½"	22-350	16
4"	22-400	16
4½"	22-450	16
5"	22-500	16
5½"	22-550	16
6"	22-600	16
7"	22-700	16
8"	22-800	16
10"	22-1000	.130 TK.
12"	22-1200	.110 TK.

ALTERNATE MATERIALS  
STAINLESS STEEL  
OR  
ALUMINIZED

CARBON STEEL

ALTERNATE MATERIALS:                      EXAMPLE  
ADD S FOR STAINLESS STEEL                      22-400S  
ADD AZ FOR ALUMINIZED                      22-400AZ

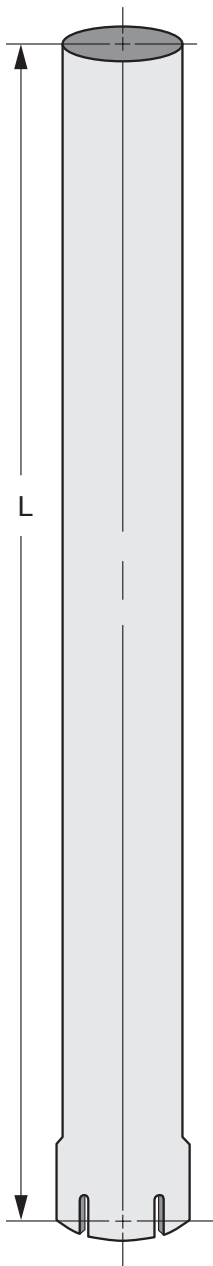
## BENDABLE STEEL EXHAUST TUBING STAINLESS STEEL .020 THICK



A heavy duty hose designed to withstand the temperature, and motions of diesel engine installations. Its continuous metal wall make it absolutely leak-tight.

SIZE	PART NO.	CENTERLINE RADIUS FOR	
		PERMANENT BENDS	INTERMITTENT BENDS
			STAINLESS
1¼"	23-125S-60	2½"	16"
1½"	23-150S-60	3"	20"
2"	23-200S-60	3½"	24"
2½"	23-250S-60	4½"	28"
3"	23-300S-60	5"	34"
3½"	23-350S-60	5½"	39"
4"	23-400S-60	6"	44"
5"	23-500S-60	7½"	52"
6"	23-600S-60	8½"	64"

## STRAIGHT STACK EXTENSIONS



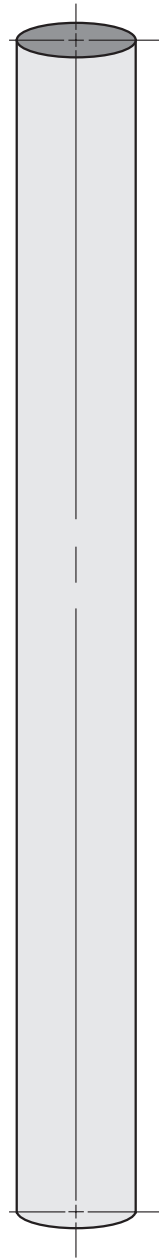
**STYLE 24  
EXPANDED &  
SLOTTED END**

SIZE	PART NO.	L	PART NO.
2½"	24-25012	12"	24P-25012
	24-25018	18"	24P-25018
	24-25036	36"	24P-25036
	24-25048	48"	24P-25048
	24-25060	60"	24P-25060
	24-25072	72"	24P-25072
	24-25084	84"	24P-25084
3"	24-30012	12"	24P-30012
	24-30018	18"	24P-30018
	24-30024	24"	24P-30024
	24-30036	36"	24P-30036
	24-30048	48"	24P-30048
	24-30060	60"	24P-30060
	24-30072	72"	24P-30072
3½"	24-35012	12"	24P-35012
	24-35018	18"	24P-35018
	24-35024	24"	24P-35024
	24-35036	36"	24P-35036
	24-35048	48"	24P-35048
	24-35060	60"	24P-35060
	24-35072	72"	24P-35072
4"	24-40012	12"	24P-40012
	24-40018	18"	24P-40018
	24-40024	24"	24P-40024
	24-40036	36"	24P-40036
	24-40048	48"	24P-40048
	24-40060	60"	24P-40060
	24-40072	72"	24P-40072
24-40084	84"	24P-40084	

ALTERNATE MATERIAL:  
 ADD CP FOR CHROME PLATE  
 ADD AZ FOR ALUMINIZED  
 ADD S FOR STAINLESS STEEL

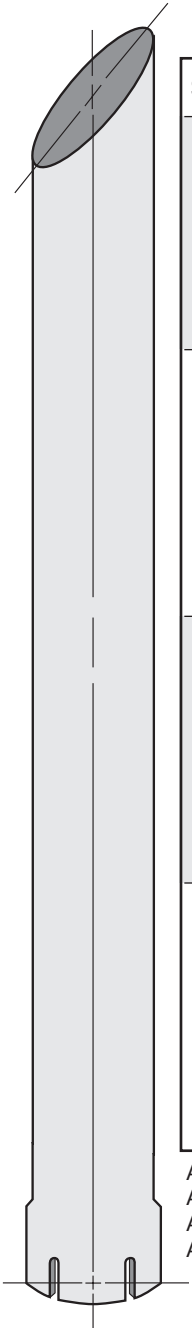
EXAMPLES:  
 24-30036CP  
 24-30036AZ  
 24-30036S

SIZE	PART NO.	L	PART NO.
5"	24-50012	12"	24P-50012
	24-50018	18"	24P-50018
	24-50024	24"	24P-50024
	24-50036	36"	24P-50036
	24-50048	48"	24P-50048
	24-50060	60"	24P-50060
	24-50072	72"	24P-50072
	24-50084	84"	24P-50084
6"	24-60012	12"	24P-60012
	24-60018	18"	24P-60018
	24-60024	24"	24P-60024
	24-60036	36"	24P-60036
	24-60048	48"	24P-60048
	24-60060	60"	24P-60060
	24-60072	72"	24P-60072
	24-60084	84"	24P-60084
7"	24-70036	36"	24P-70036
	24-70048	48"	24P-70048
	24-70060	60"	24P-70060
	24-70072	72"	24P-70072
	24-70084	84"	24P-70084
8"	24-80036	36"	24P-80036
	24-80048	48"	24P-80048
	24-80060	60"	24P-80060
	24-80072	72"	24P-80072
	24-80084	84"	24P-80084



**STYLE 24P  
PLAIN ENDS**

## MITERED STACK EXTENSIONS



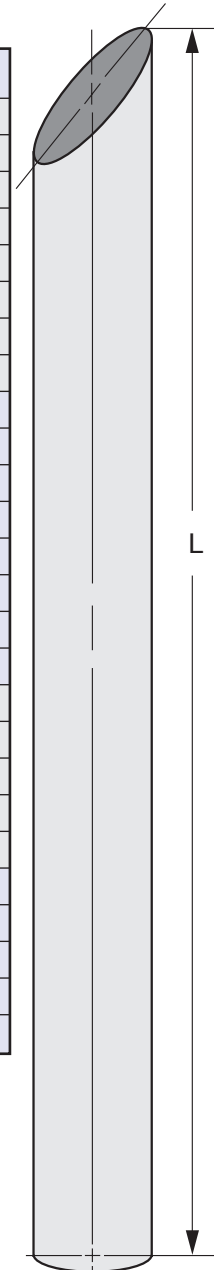
**STYLE 24M  
EXPANDED &  
SLOTTED END**

SIZE	PART NO.	L	PART NO.
2½"	24M-25012	12"	24MP-25012
	24M-25018	18"	24MP-25018
	24M-25036	36"	24MP-25036
	24M-25048	48"	24MP-25048
	24M-25060	60"	24MP-25060
	24M-25072	72"	24MP-25072
	24M-25084	84"	24MP-25084
3"	24M-30012	12"	24MP-30012
	24M-30018	18"	24MP-30018
	24M-30024	24"	24MP-30024
	24M-30036	36"	24MP-30036
	24M-30048	48"	24MP-30048
	24M-30060	60"	24MP-30060
	24M-30072	72"	24MP-30072
3½"	24M-35012	12"	24MP-35012
	24M-35018	18"	24MP-35018
	24M-35024	24"	24MP-35024
	24M-35036	36"	24MP-35036
	24M-35048	48"	24MP-35048
	24M-35060	60"	24MP-35060
	24M-35072	72"	24MP-35072
4"	24M-40012	12"	24MP-40012
	24M-40018	18"	24MP-40018
	24M-40024	24"	24MP-40024
	24M-40036	36"	24MP-40036
	24M-40048	48"	24MP-40048
	24M-40060	60"	24MP-40060
	24M-40072	72"	24MP-40072
24M-40084	84"	24MP-40084	

ALTERNATE MATERIAL:  
 ADD CP FOR CHROME PLATE  
 ADD AZ FOR ALUMINIZED  
 ADD S FOR STAINLESS STEEL

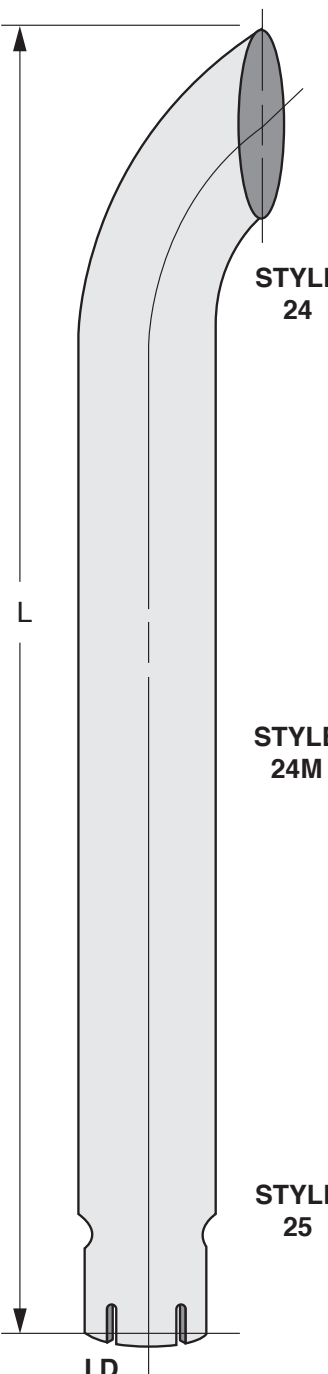
EXAMPLES:  
 24M-40036CP  
 24M-40036AZ  
 24M-40036S

SIZE	PART NO.	L	PART NO.
5"	24M-50012	12"	24MP-50012
	24M-50018	18"	24MP-50018
	24M-50024	24"	24MP-50024
	24M-50036	36"	24MP-50036
	24M-50048	48"	24MP-50048
	24M-50060	60"	24MP-50060
	24M-50072	72"	24MP-50072
	24M-50084	84"	24MP-50084
	6"	24M-60012	12"
24M-60018		18"	24MP-60018
24M-60024		24"	24MP-60024
24M-60036		36"	24MP-60036
24M-60048		48"	24MP-60048
24M-60060		60"	24MP-60060
24M-60072		72"	24MP-60072
24M-60084		84"	24MP-60084
7"		24M-70036	36"
	24M-70048	48"	24MP-70048
	24M-70060	60"	24MP-70060
	24M-70072	72"	24MP-70072
	24M-70084	84"	24MP-70084
	8"	24M-80036	36"
24M-80048		48"	24MP-80048
24M-80060		60"	24MP-80060
24M-80072		72"	24MP-80072
24M-80084		84"	24MP-80084



**STYLE 24MP  
PLAIN ENDS**

## STACK EXTENSIONS WITH REDUCED BOTTOMS



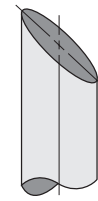
**CURVED  
STACK  
STYLE 25**

**STYLE 24**

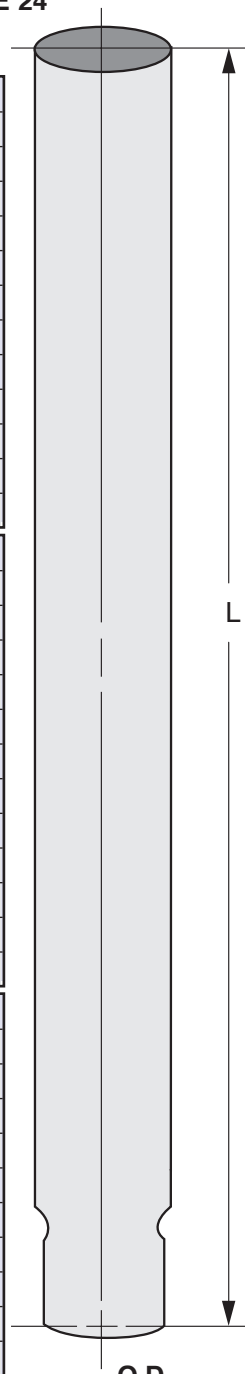
**STYLE 24M**

**STYLE 25**

I.D.



**MITERED  
STACK  
STYLE 24M**



**FLAT TOP  
STACK  
STYLE 24**

O.D.

SIZE	PART NO.	L	PART NO.
6" to 5"	24-605048	48"	24P-605048
	24-605060	60"	24P-605060
	24-605072	72"	24P-605072
	24-605084	84"	24P-605084
7" to 5"	24-705048	48"	24P-705048
	24-705060	60"	24P-705060
	24-705072	72"	24P-705072
	24-705084	84"	24P-705084
8" to 5"	24-805048	48"	24P-805048
	24-805060	60"	24P-805060
	24-805072	72"	24P-805072
	24-805084	84"	24P-805084

SIZE	PART NO.	L	PART NO.
6" to 5"	24M-605048	48"	24MP-605048
	24M-605060	60"	24MP-605060
	24M-605072	72"	24MP-605072
	24M-605084	84"	24MP-605084
7" to 5"	24M-705048	48"	24MP-705048
	24M-705060	60"	24MP-705060
	24M-705072	72"	24MP-705072
	24M-705084	84"	24MP-705084
8" to 5"	24M-805048	48"	24MP-805048
	24M-805060	60"	24MP-805060
	24M-805072	72"	24MP-805072
	24M-805084	84"	24MP-805084

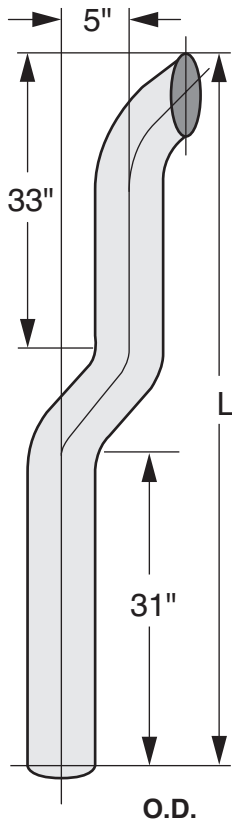
  

SIZE	PART NO.	L	PART NO.
6" to 5"	25-605048	48"	25P-605048
	25-605060	60"	25P-605060
	25-605072	72"	25P-605072
	25-605084	84"	25P-605084
7" to 5"	25-705048	48"	25P-705048
	25-705060	60"	25P-705060
	25-705072	72"	25P-705072
	25-705084	84"	25P-705084
8" to 5"	25-805048	48"	25P-805048
	25-805060	60"	25P-805060
	25-805072	72"	25P-805072
	25-805084	84"	25P-805084

ALTERNATE MATERIAL:  
ADD CP FOR CHROME PLATE

EXAMPLES:  
25-605048CP

## CAR HAULER STACK

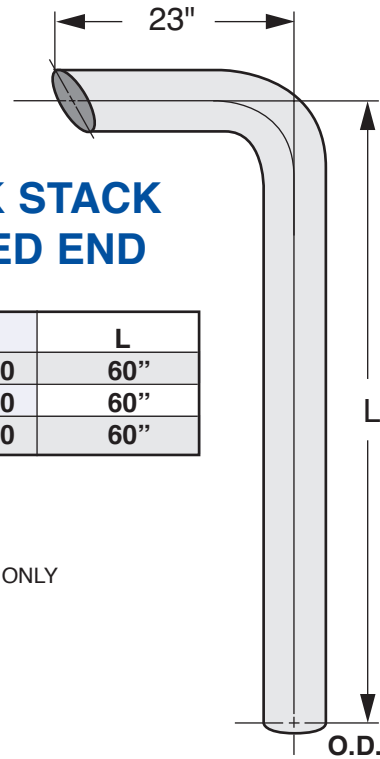


SIZE	PART NO.	L
4"	25P-CH40072	72"
5"	25P-CH50072	72"
6"	25P-CH60072	72"

ALTERNATE MATERIALS:  
ADD CP FOR CHROME PLATE  
ADD AZ FOR ALUMINIZED

SPECIAL ORDER ONLY

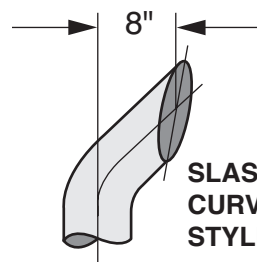
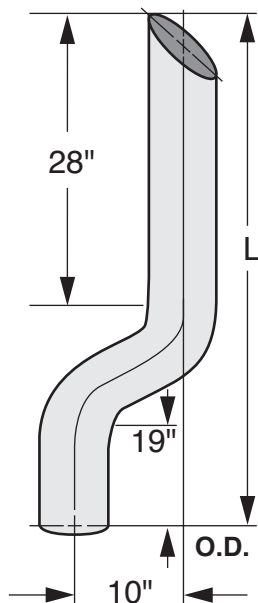
## DUMP TRUCK STACK 90° EXTENDED END



SIZE	PART NO.	L
4"	25PXL-40060	60"
5"	25PXL-50060	60"
6"	25PXL-60060	60"

ALTERNATE MATERIALS:  
ADD CP FOR CHROME PLATE  
ADD AZ FOR ALUMINIZED

SPECIAL ORDER ONLY



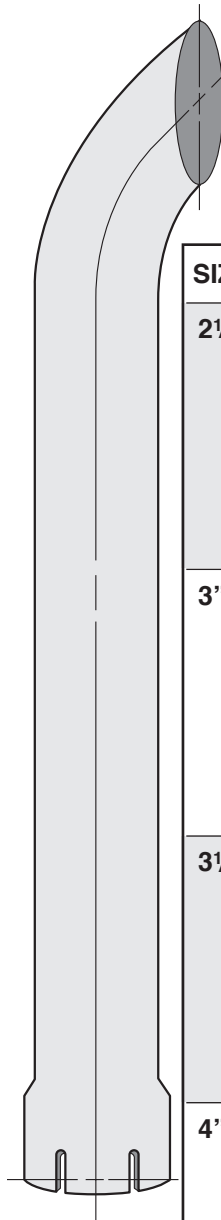
## DUMP TRUCK STACK OFFSET

SLASH-CUT  
CURVED STACK  
STYLE 26

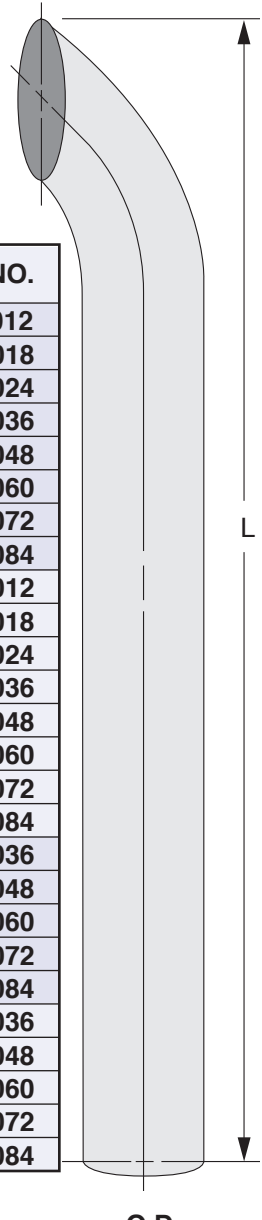
SIZE	PART NO.	PART NO.	L
4"	24MP-DT40051	26P-DT40051	51"
5"	24MP-DT50060	26P-DT50060	60"
6"	24MP-DT60060	26P-DT60060	60"

ALTERNATE MATERIALS:  
ADD CP FOR CHROME PLATE  
ADD AZ FOR ALUMINIZED  
SPECIAL ORDER ONLY

## CURVED STACK EXTENSIONS



**STYLE 25  
EXPANDED &  
SLOTTED END**

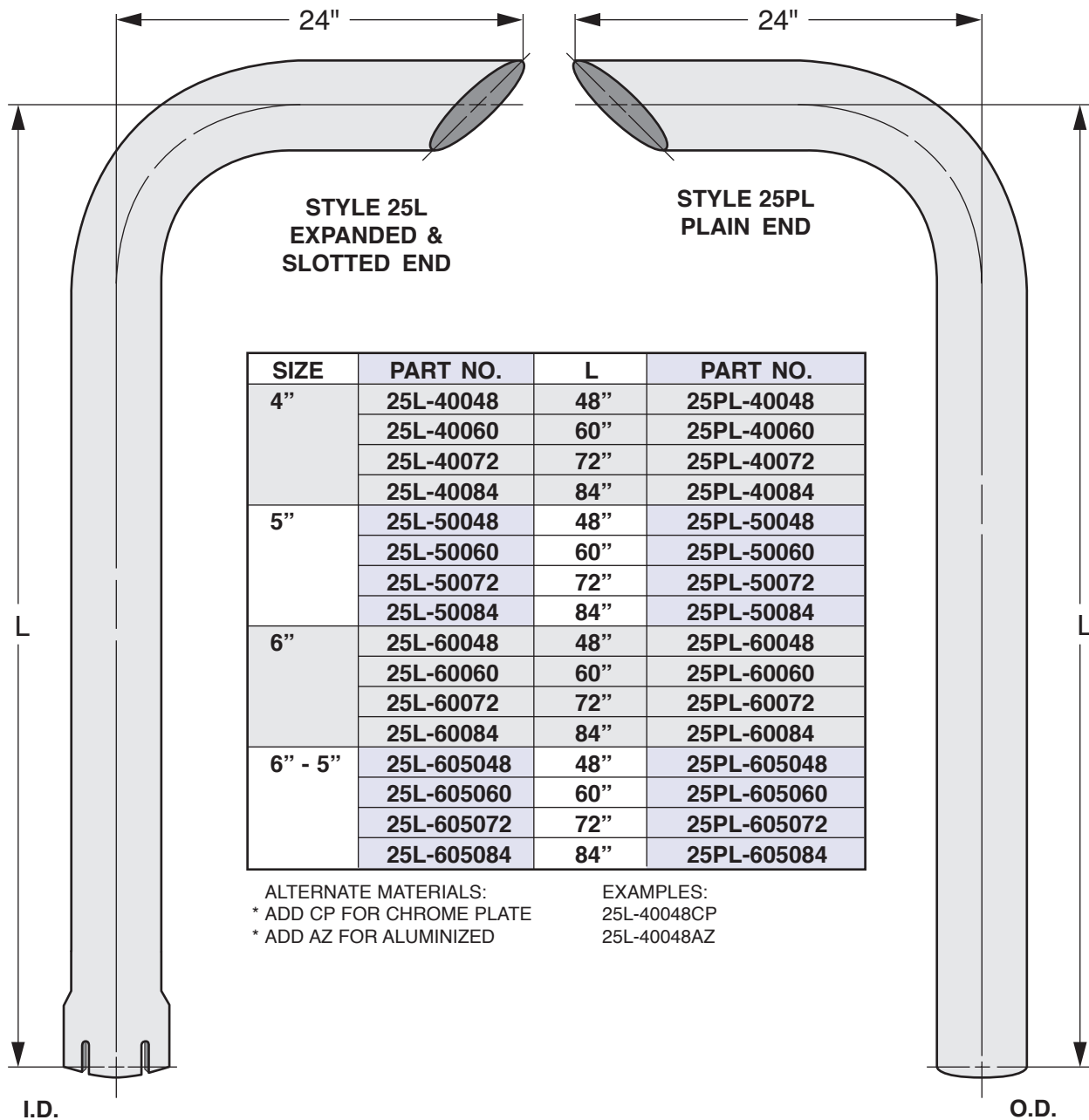


**STYLE 25P  
PLAIN ENDS**

SIZE	PART NO.	L	PART NO.	SIZE	PART NO.	L	PART NO.
2½"	25-25012	12"	25P-25012	5"	25-50012	12"	25P-50012
	25-25018	18"	25P-25018		25-50018	18"	25P-50018
	25-25024	24"	25P-25024		25-50024	24"	25P-50024
	25-25036	36"	25P-25036		25-50036	36"	25P-50036
	25-25048	48"	25P-25048		25-50048	48"	25P-50048
	25-25060	60"	25P-25060		25-50060	60"	25P-50060
	25-25072	72"	25P-25072		25-50072	72"	25P-50072
	25-25084	84"	25P-25084		25-50084	84"	25P-50084
3"	25-30012	12"	25P-30012	6"	25-60012	12"	25P-60012
	25-30018	18"	25P-30018		25-60018	18"	25P-60018
	25-30024	24"	25P-30024		25-60024	24"	25P-60024
	25-30036	36"	25P-30036		25-60036	36"	25P-60036
	25-30048	48"	25P-30048		25-60048	48"	25P-60048
	25-30060	60"	25P-30060		25-60060	60"	25P-60060
	25-30072	72"	25P-30072		25-60072	72"	25P-60072
	25-30084	84"	25P-30084		25-60084	84"	25P-60084
3½"	25-35012	12"	25P-35012	7"	25-70036	36"	25P-70036
	25-35018	18"	25P-35018		25-70048	48"	25P-70048
	25-35024	24"	25P-35024		25-70060	60"	25P-70060
	25-35036	36"	25P-35036		25-70072	72"	25P-70072
	25-35048	48"	25P-35048		25-70084	84"	25P-70084
	25-35060	60"	25P-35060	8"	25-80036	36"	25P-80036
	25-35072	72"	25P-35072		25-80048	48"	25P-80048
	25-35084	84"	25P-35084		25-80060	60"	25P-80060
4"	25-40012	12"	25P-40012	25-80072	72"	25P-80072	
	25-40018	18"	25P-40018	25-80084	84"	25P-80084	
	25-40024	24"	25P-40024				
	25-40036	36"	25P-40036				
	25-40048	48"	25P-40048				
	25-40060	60"	25P-40060				
	25-40072	72"	25P-40072				
	25-40084	84"	25P-40084				

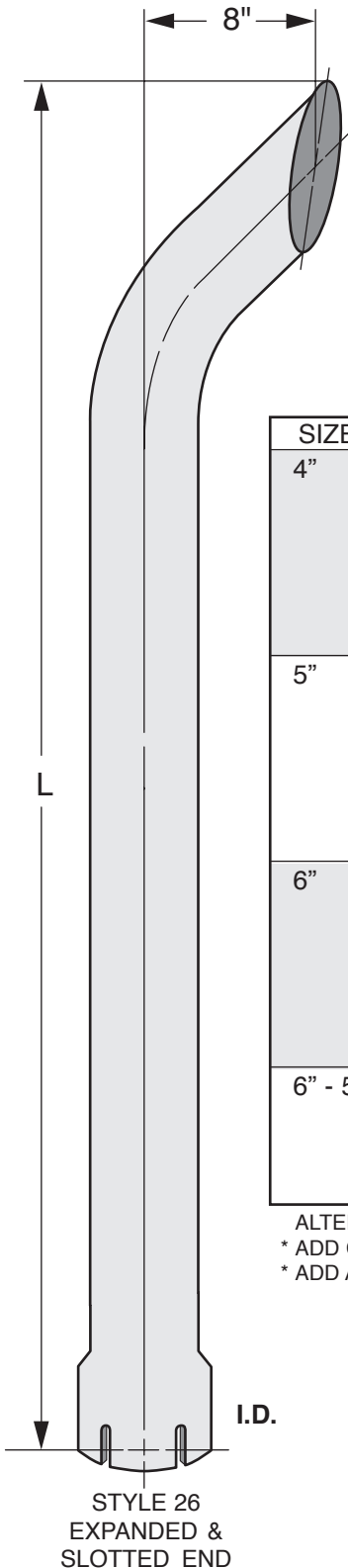
<p>ALTERNATE MATERIALS:          ADD CP FOR CHROME PLATE          ADD AZ FOR ALUMINIZED          ADD S FOR STAINLESS STEEL</p>	<p>EXAMPLES:          25-50072CP          25-50072AZ          25-50072S</p>
--	---

## LONG 90° SPECIAL CURVED STACK EXTENSIONS





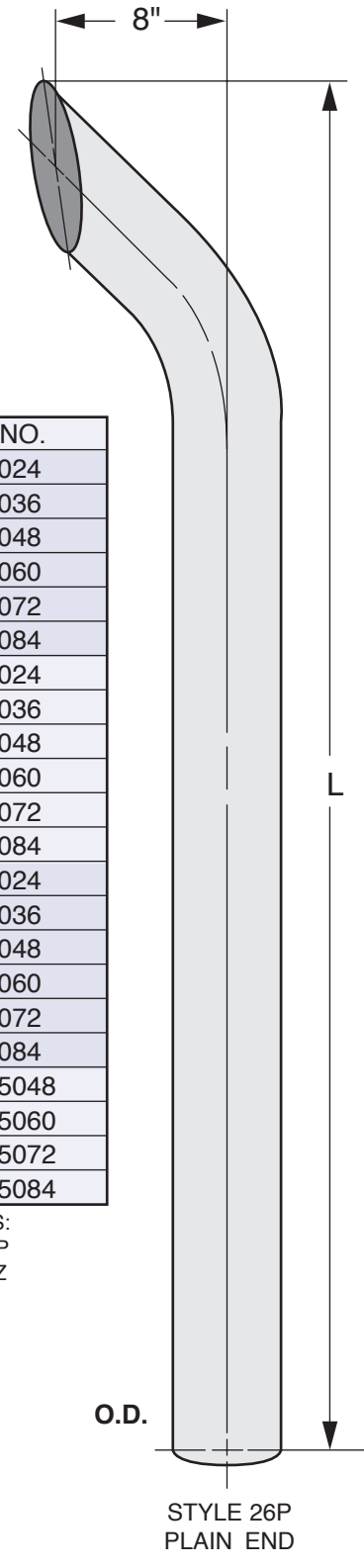
## SLASH-CUT CURVED STACK EXTENSION



**I.D.**

STYLE 26  
EXPANDED &  
SLOTTED END

- DIRECTS NOISE UP AND OUT
- DIRECTS EXHAUST AWAY FROM TRAILER
- DOES NOT REQUIRE RAIN CAP
- MINIMIZES BACK PRESSURE
- UNIQUE DYNAFLEX DESIGN



**O.D.**

STYLE 26P  
PLAIN END

SIZE	PART NO.	L	PART NO.
4"	26-40024	24"	26P-40024
	26-40036	36"	26P-40036
	26-40048	48"	26P-40048
	26-40060	60"	26P-40060
	26-40072	72"	26P-40072
	26-40084	84"	26P-40084
5"	26-50024	24"	26P-50024
	26-50036	36"	26P-50036
	26-50048	48"	26P-50048
	26-50060	60"	26P-50060
	26-50072	72"	26P-50072
	26-50084	84"	26P-50084
6"	26-60024	24"	26P-60024
	26-60036	36"	26P-60036
	26-60048	48"	26P-60048
	26-60060	60"	26P-60060
	26-60072	72"	26P-60072
	26-60084	84"	26P-60084
6" - 5"	26-605048	48"	26P-605048
	26-605060	60"	26P-605060
	26-605072	72"	26P-605072
	26-605084	84"	26P-605084

ALTERNATE MATERIAL:

- ADD CP FOR CHROME PLATE
- ADD AZ FOR ALUMINIZED

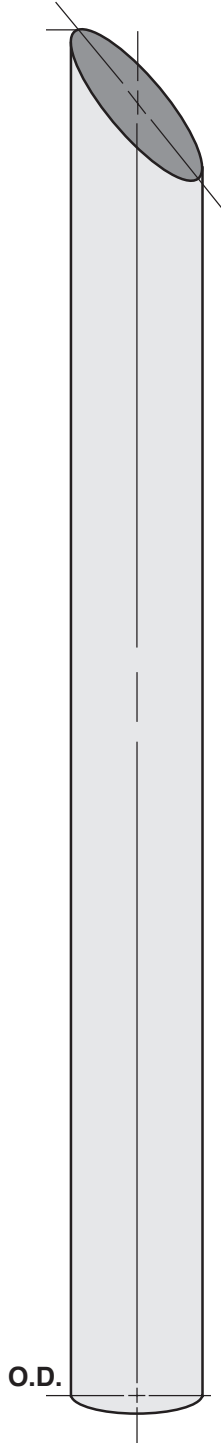
EXAMPLES:

26-40024CP  
26-40024AZ

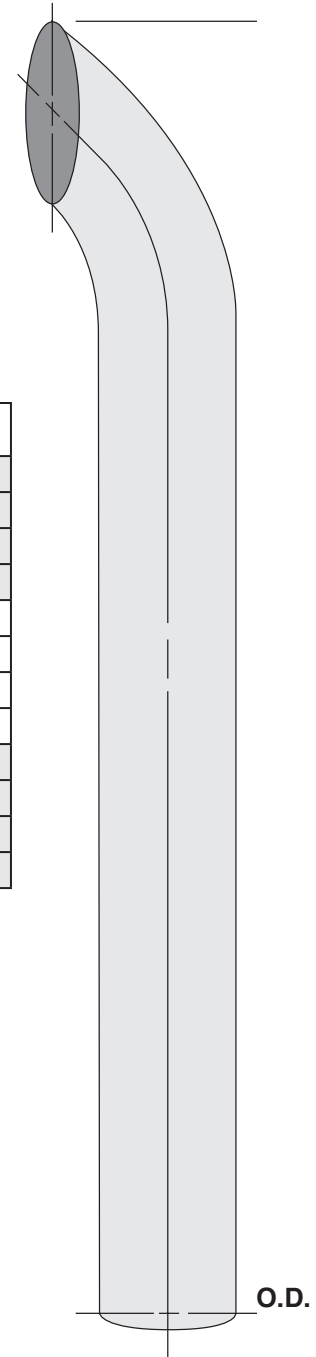
## ONE PIECE STACKS

### STYLE 24M AND STYLE 25, PLAIN ENDS

SIZE	PART NO.	PART NO.
5"	24MP-50096CP	25P-50096CP
	24MP-500108CP	25P-500108CP
	24MP-500114CP	25P-500114CP
	24MP-500120CP	25P-500120CP
6"	24MP-60096CP	25P-60096CP
	24MP-600108CP	25P-600108CP
	24MP-600114CP	25P-600114CP
	24MP-600120CP	25P-600120CP
6"- 5"	24MP-605096CP	25P-605096CP
	24MP-6050108CP	25P-6050108CP
	24MP-6050114CP	25P-6050114CP
	24MP-6050120CP	25P-6050120CP



STYLE  
24MP



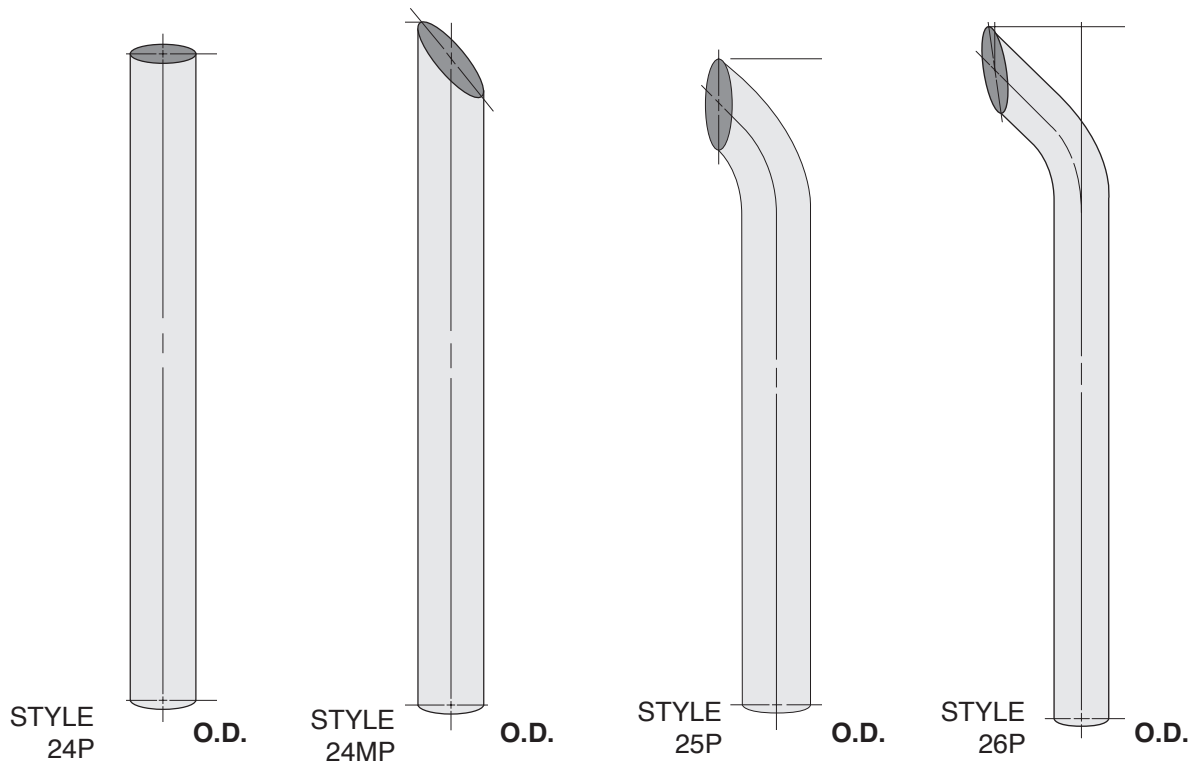
STYLE  
25P

## CHROME PLATED TOP STACKS

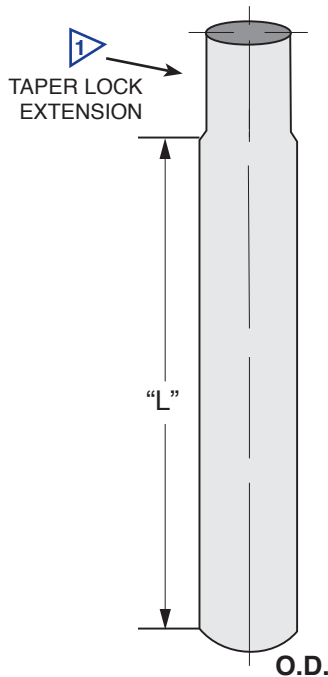
### PART NUMBERS FOR ORDERING SEPARATELY

SIZE	STRAIGHT PART NO.	MITERED PART NO.	CURVED PART NO.	SLASH CUT
5"	24P-50044CP	24MP-50044CP	25P-50044CP	26P-50044CP
	24P-50048CP	24MP-50048CP	25P-50048CP	26P-50048CP
	24P-50054CP	24MP-50054CP	25P-50054CP	26P-50054CP
	24P-50060CP	24MP-50060CP	25P-50060CP	26P-50060CP
	24P-50068CP	24MP-50068CP	25P-50068CP	26P-50068CP
6"	24P-60044CP	24MP-60044CP	25P-60044CP	26P-60044CP
	24P-60048CP	24MP-60048CP	25P-60048CP	26P-60048CP
	24P-60054CP	24MP-60054CP	25P-60054CP	26P-60054CP
	24P-60060CP	24MP-60060CP	25P-60060CP	26P-60060CP
	24P-60068CP	24MP-60068CP	25P-60068CP	26P-60068CP
7"	24P-70044CP	24MP-70044CP	25P-70044CP	26P-70044CP
	24P-70048CP	24MP-70048CP	25P-70048CP	26P-70048CP
	24P-70054CP	24MP-70054CP	25P-70054CP	26P-70054CP
	24P-70060CP	24MP-70060CP	25P-70060CP	26P-70060CP
	24P-70068CP	24MP-70068CP	25P-70068CP	26P-70068CP
8"	24P-80044CP	24MP-80044CP	25P-80044CP	26P-80044CP
	24P-80048CP	24MP-80048CP	25P-80048CP	26P-80048CP
	24P-80054CP	24MP-80054CP	25P-80054CP	26P-80054CP
	24P-80060CP	24MP-80060CP	25P-80060CP	26P-80060CP
	24P-80068CP	24MP-80068CP	25P-80068CP	26P-80068CP

\* EQUIVALENT LENGTH CONSISTS OF STACKTOP AND SPOOL PIECE .



## MIDDLE SPOOL PIECE WITH TAPER LOCK EXTENSION: O.D.



- (A) 48" Length "L" for Kenworth 900 A & B Models
- (B) 52" Length "L" for model 379 Peterbilt, KW9001 Aerocab, Freightliner & Western Star
- (C) 55" Length "L" for model 359 Peterbilt

SIZE	A	B	C
5"	24ZPX-50048CP	24ZPX-50052CP	24ZPX-50055CP
6"	24ZPX-60048CP	24ZPX-60052CP	24ZPX-60055CP
7"	24ZPX-70048CP	24ZPX-70052CP	24ZPX-70055CP
8"	24ZPX-80048CP	24ZPX-80052CP	24ZPX-80055CP

ADD "Q" TO PN FOR QUIET MUFFLER.

FOR MODEL 359 PETERBILT: 55" SPOOL PIECE LENGTH  
CHANGE "52" IN PART NO. TO "55"  
EXAMPLE: 24ZPX-Q60055CP

## MIDDLE SPOOL PIECE WITH TAPER LOCK EXTENSION: I.D.

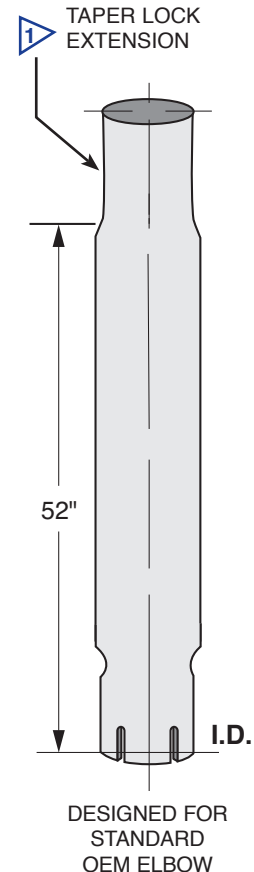
SIZE	PART NO	PART NO	PART NO
5"	24ZX-50048CP	24ZX-50052CP	24ZX-50055CP
6"	24ZX-60048CP	24ZX-60052CP	24ZX-60055CP
6"-5"	24ZX-605048CP	24ZX-605052CP	24ZX-605055CP
7"-5"	24ZX-705048CP	24ZX-705052CP	24ZX-705055CP
8"	24ZX-80048CP	24ZX-80052CP	24ZX-80055CP
8"-5"	24ZX-805048CP	24ZX-805052CP	24ZX-805055CP

ADD "P" TO PN FOR PLAIN END.  
EXAMPLE: 24ZPX-605052CP

ADD "Q" TO PN FOR QUIET MUFFLER, SIZES 6,7,8".  
EXAMPLE: 24ZX-Q605052CP

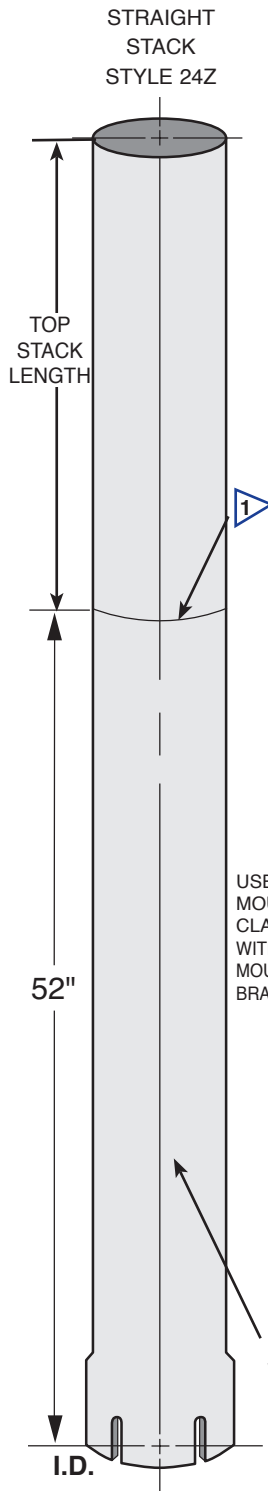
 STACK FEATURES INTERNAL EXTENSION DEVICE TO PERMIT ROTATION OF STACK TOP TO SUIT VARIOUS INSTALLATION REQUIREMENTS.

Patent Applied  
© Copyright 2012 Dynaflex Products



## Z SERIES STACK TWO PIECE DESIGN

SIZE	LENGTH	STRAIGHT PART NO.	TOP STACK LENGTH	MITERED TOP PART NO.
4"	8FT	24Z-40096CP	44"	24ZM-40096CP
	9FT	24Z-400108CP	54"	24ZM-400108CP
	10FT	24Z-400120CP	60"	24ZM-400120CP
5"	8FT	24Z-50096CP	44"	24ZM-50096CP
	9FT	24Z-500108CP	54"	24ZM-500108CP
	9½FT	24Z-500114CP	60"	24ZM-500114CP
	10FT	24Z-500120CP	68"	24ZM-500120CP
6"	8FT	24Z-60096CP	44"	24ZM-60096CP
	9FT	24Z-600108CP	54"	24ZM-600108CP
	9½FT	24Z-600114CP	60"	24ZM-600114CP
	10FT	24Z-600120CP	68"	24ZM-600120CP
7"	8FT	24Z-70096CP	44"	24ZM-70096CP
	9FT	24Z-700108CP	54"	24ZM-700108CP
	9½FT	24Z-700114CP	60"	24ZM-700114CP
	10FT	24Z-700120CP	68"	24ZM-700120CP
8"	8FT	24Z-80096CP	44"	24ZM-80096CP
	9FT	24Z-800108CP	54"	24ZM-800108CP
	9½FT	24Z-800114CP	60"	24ZM-800114CP
	10FT	24Z-800120CP	68"	24ZM-800120CP



**STRAIGHT STACK  
STYLE 24Z**

TOP STACK LENGTH

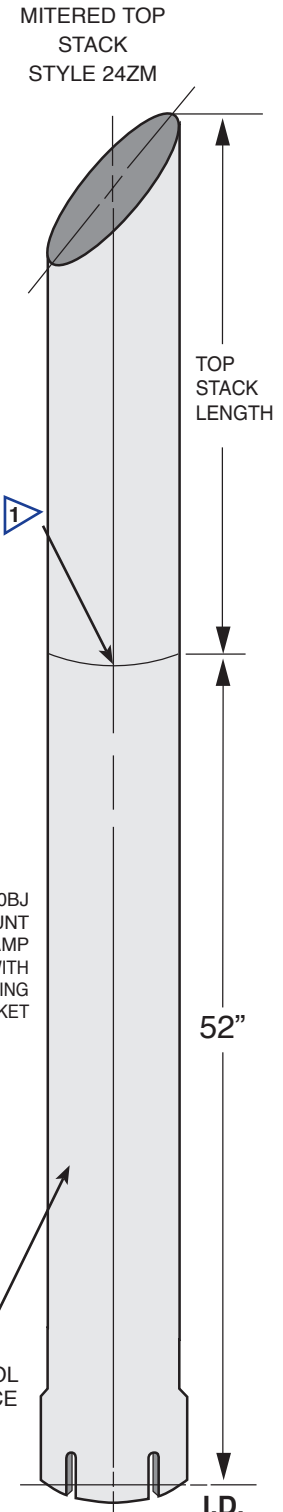
52"

USE 50BJ MOUNT CLAMP WITH MOUNTING BRACKET

SPOOL PIECE

I.D.

STYLE 24Z EXPANDED & SLOTTED END



**MITERED TOP STACK  
STYLE 24ZM**

TOP STACK LENGTH

52"

USE 50BJ MOUNT CLAMP WITH MOUNTING BRACKET

SPOOL PIECE

I.D.

STYLE 24ZM EXPANDED & SLOTTED END


DO NOT ORDER A 10FT STACK WHEN YOUR TOP BRACKET IS OVER 102" FROM THE GROUND, TO AVOID EXCEEDING THE MAX. HEIGHT ALLOWED.

FOR A QUIET MUFFLER BUILT INTO THE SPOOL STACK, ADD "Q" TO THE PART NO.  
EXAMPLE: 24Z-Q60096CP

ADD "P" IN PART NO. FOR PLAIN ENDS:  
EXAMPLE: 24ZP-50096CP

USE THE OEM ELBOW P.N. FOR THE NON-SLIP FIT ELBOW.  
ELIMINATE THE "Z" AND THE "X" IN THE PART NUMBER, OEM EXAMPLE:

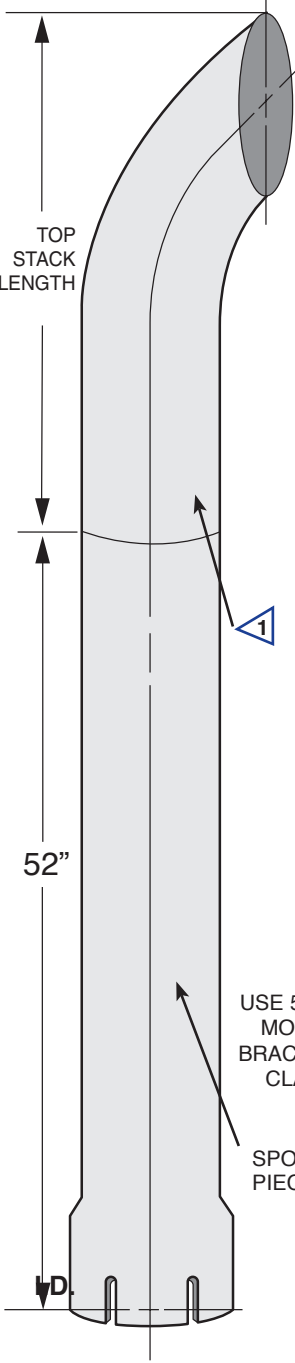
PETERBILT PART NO.	KENWORTH PART NO.	FREIGHTLINER PART NO.
14PB-1726CP	14KW-R0742CP	14FL-6015CP
14PB-3056CP	14KW-R4764CP	11P-6050CP
14PB-L1380CP		



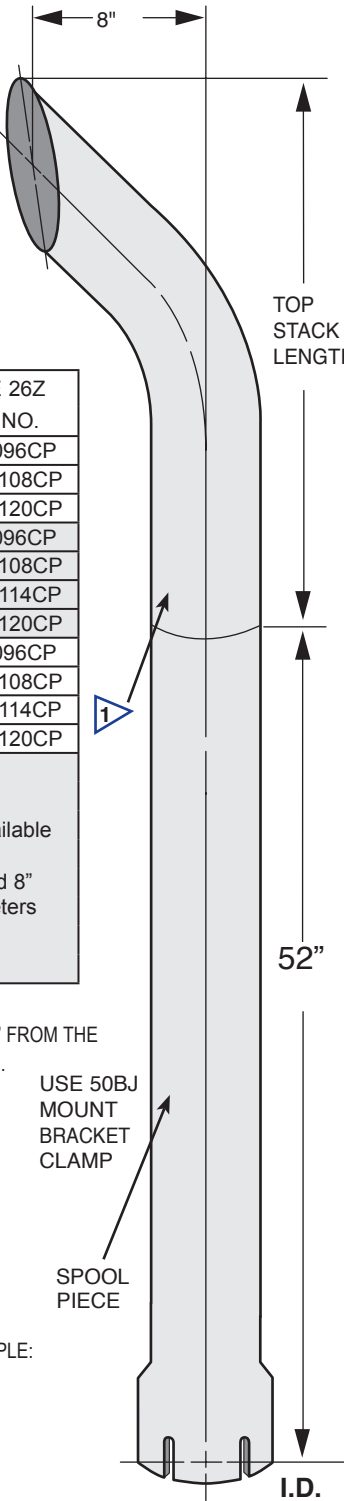
STACK FEATURES INTERNAL EXTENSION DEVICE TO PERMIT ROTATION OF STACK TOP TO SUIT VARIOUS INSTALLATION REQUIREMENTS.

**PATENT APPLIED**  
© COPYRIGHT 2012 DYNAFLEX PRODUCTS

## Z SERIES STACK TWO PIECE DESIGN CURVED TOP



STYLE 25Z  
EXPANDED &  
SLOTTED ENDS



STYLE 26Z  
EXPANDED &  
SLOTTED ENDS

SIZE	LENGTH	STYLE 25Z PART NO.	TOP STACK LENGTH	STYLE 26Z PART NO.
4"	8FT	25Z-40096CP	44"	26Z-40096CP
	9FT	25Z-400108CP	54"	26Z-400108CP
	10FT	25Z-400120CP	60"	26Z-400120CP
5"	8FT	25Z-50096CP	44"	26Z-50096CP
	9FT	25Z-500108CP	54"	26Z-500108CP
	9½FT	25Z-500114CP	60"	26Z-500114CP
6"	10FT	25Z-500120CP	68"	26Z-500120CP
	8FT	25Z-60096CP	44"	26Z-60096CP
	9FT	25Z-600108CP	54"	26Z-600108CP
7"	9½FT	25Z-600114CP	60"	26Z-600114CP
	10FT	25Z-600120CP	68"	26Z-600120CP
	8FT	25Z-70096CP	44"	Not available in 7" and 8" diameters
9FT	25Z-700108CP	54"		
9½FT	25Z-700114CP	60"		
10FT	25Z-700120CP	68"		
8"	8FT	25Z-80096CP	44"	Not available in 7" and 8" diameters
	9FT	25Z-800108CP	54"	
	9½FT	25Z-800114CP	60"	
10FT	25Z-800120CP	68"		

DO NOT ORDER A 10FT STACK WHEN YOUR TOP BRACKET IS OVER 102" FROM THE GROUND, TO AVOID EXCEEDING THE MAX. HEIGHT ALLOWED.

FOR A QUIET MUFFLER BUILT INTO THE SPOOL STACK, ADD "Q" TO THE PART NO.  
EXAMPLE: 25Z-Q60096CP

ADD "P" IN PART NO. FOR PLAIN ENDS:  
EXAMPLE: 25ZP-50096CP

USE THE OEM ELBOW P.N. FOR THE NON-SLIP FIT ELBOW.  
ELIMINATE THE "Z" AND THE "X" IN THE PART NUMBER, OEM EXAMPLE:

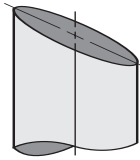
PETERBILT PART NO.	PETERBILT PART NO.	FREIGHTLINER PART NO.
14PB-1726CP	14KW-R0742CP	14FL-6015CP
14PB-3056CP	14KW-R4764CP	11P-6050CP
14PB-L1380CP		

**1** STACK FEATURES INTERNAL EXTENSION DEVICE TO PERMIT ROTATION OF STACK TOP TO SUIT VARIOUS INSTALLATION REQUIREMENTS.

**PATENT APPLIED**  
© COPYRIGHT 2012 DYNAFLEX PRODUCTS

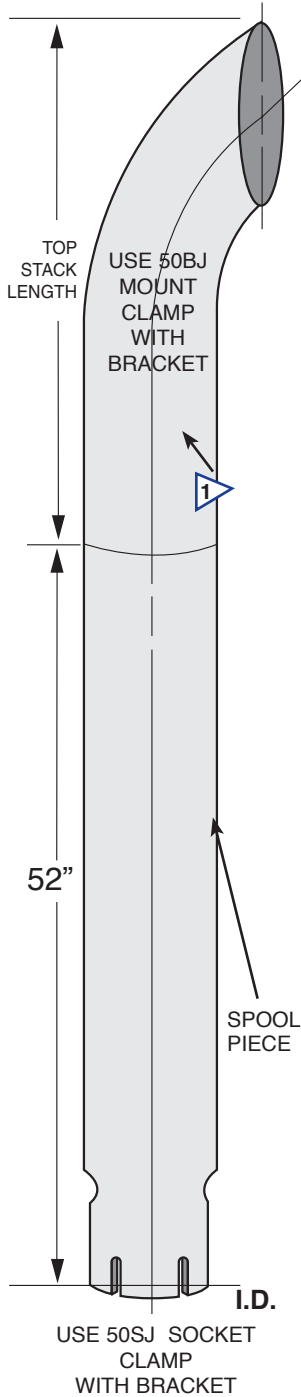
## Z SERIES REDUCING STACKS OF TWO PIECE DESIGN

CURVED  
STACK  
STYLE 25Z



MITERED TOP  
STACK  
STYLE 24ZM

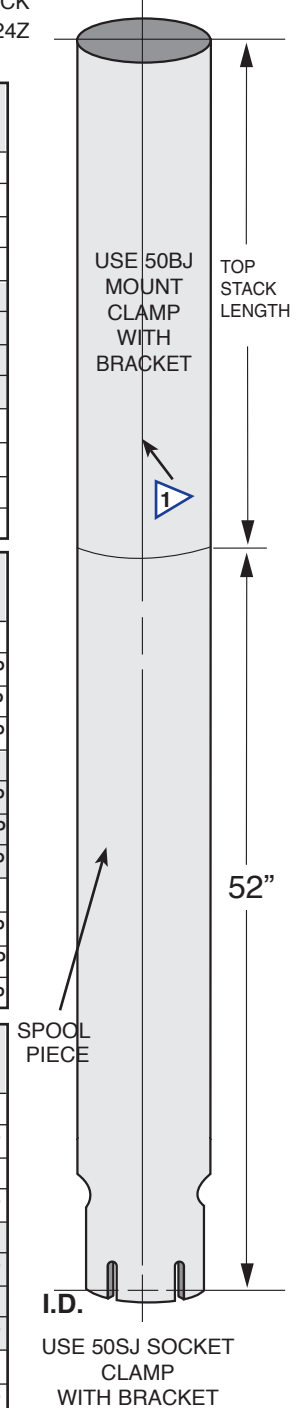
STRAIGHT  
STACK  
STYLE 24Z



SIZE	LENGTH	PART NO.	TOP STACK LENGTH	PART NO.
6" TO 5"	8FT	24Z-605096CP	44"	24ZP-605096CP
	9FT	24Z-6050108CP	54"	24ZP-6050108CP
	9½FT	24Z-6050114CP	60"	24ZP-6050114CP
	10FT	24Z-6050120CP	68"	24ZP-6050120CP
7" TO 5"	8FT	24Z-705096CP	44"	24ZP-705096CP
	9FT	24Z-7050108CP	54"	24ZP-7050108CP
	9½FT	24Z-7050114CP	60"	24ZP-7050114CP
	10FT	24Z-7050120CP	68"	24ZP-7050120CP
8" TO 5"	8FT	24Z-805096CP	44"	24ZP-805096CP
	9FT	24Z-8050108CP	54"	24ZP-8050108CP
	9½FT	24Z-8050114CP	60"	24ZP-8050114CP
	10FT	24Z-8050120CP	68"	24ZP-8050120CP

SIZE	LENGTH	PART NO.	TOP STACK LENGTH	PART NO.
6" TO 5"	8FT	24ZM-605096CP	44"	24ZMP-605096CP
	9FT	24ZM-6050108CP	54"	24ZMP-6050108CP
	9½FT	24ZM-6050114CP	60"	24ZMP-6050114CP
	10FT	24ZM-6050120CP	68"	24ZMP-6050120CP
7" TO 5"	8FT	24ZM-705096CP	44"	24ZMP-705096CP
	9FT	24ZM-7050108CP	54"	24ZMP-7050108CP
	9½FT	24ZM-7050114CP	60"	24ZMP-7050114CP
	10FT	24ZM-7050120CP	68"	24ZMP-7050120CP
8" TO 5"	8FT	24ZM-805096CP	44"	24ZMP-805096CP
	9FT	24ZM-8050108CP	54"	24ZMP-8050108CP
	9½FT	24ZM-8050114CP	60"	24ZMP-8050114CP
	10FT	24ZM-8050120CP	68"	24ZMP-8050120CP

SIZE	LENGTH	PART NO.	TOP STACK LENGTH	PART NO.
6" TO 5"	8FT	25Z-605096CP	44"	25ZP-605096CP
	9FT	25Z-6050108CP	54"	25ZP-6050108CP
	9½FT	25Z-6050114CP	60"	25ZP-6050114CP
	10FT	25Z-6050120CP	68"	25ZP-6050120CP
7" TO 5"	8FT	25Z-705096CP	44"	25ZP-705096CP
	9FT	25Z-7050108CP	54"	25ZP-7050108CP
	9½FT	25Z-7050114CP	60"	25ZP-7050114CP
	10FT	25Z-7050120CP	68"	25ZP-7050120CP
8" TO 5"	8FT	25Z-805096CP	44"	25ZP-805096CP
	9FT	25Z-8050108CP	54"	25ZP-8050108CP
	9½FT	25Z-8050114CP	60"	25ZP-8050114CP
	10FT	25Z-8050120CP	68"	25ZP-8050120CP



PATENT APPLIED  
© COPYRIGHT 2012  
DYNAFLEX PRODUCTS

1 STACK FEATURES INTERNAL EXTENSION DEVICE TO PERMIT ROTATION OF STACK TOP TO SUIT VARIOUS INSTALLATION REQUIREMENTS.

FOR A QUIET MUFFLER BUILT INTO THE SPOOL STACK, ADD "Q" TO THE PART NO.  
EXAMPLE: 25Z-605096CP

USE THE OEM ELBOW P.N. FOR THE NON-SLIP FIT ELBOW. ELIMINATE THE "Z" AND THE "X" IN THE PART NUMBER, OEM EXAMPLE:

	PETERBILT	KENWORTH	FREIGHTLINER
68 Degree	14PB-1726CP	14KW-R0742CP	14FL-6015CP
58 Degree	14PB-3050CP	14KW-R4764CP	11P-6050CP
Dbl. Bend	14PB-L1380CP	14KW-R8616CP	

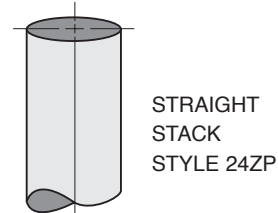
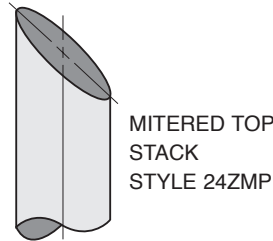
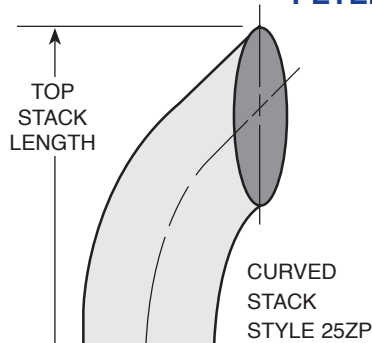
## THREE PIECE Z SERIES STACKS

5"/6"/7"/8"

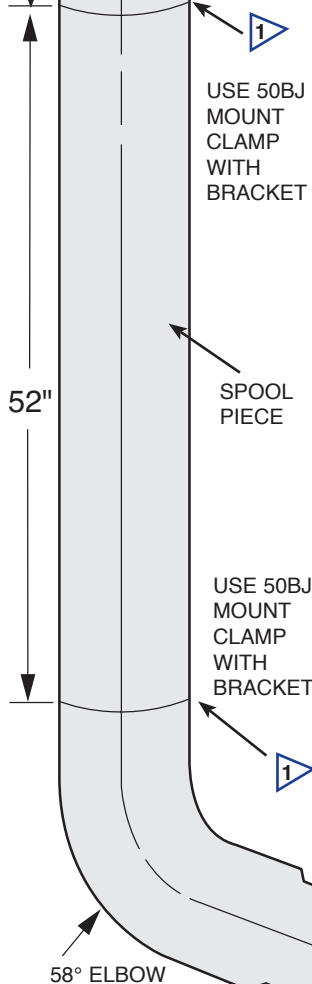
### PETERBILT STACK EXTENSIONS

#### MODEL 379

#### PETERBILT - 58° ELBOW AND 52" SPOOL PIECE



1. NOTE: Z IN PART NO. = NEW 3 PIECE STACK ELBOW COMBINATION.
2. NOTE: "D" IN PART NO. = MODEL 379 PETERBILT 58° ELBOW EQUIV. TO OEM NO 14-13056C, 1994-2002
3. NOTE: SPOOL PIECE LENGTH = 52 INCHES, ON THIS MODEL.
4. NOTE: 2003 - 2006 - USE 55" LONG SPOOL  
\* SOME 2003 MODEL MAY REQUIRED TO USE 52" SPOOL.



SIZE	TOTAL LENGTH	STRAIGHT PART NO.	MITRED PART NO.	CURVED PART NO.	TOP STACK LENGTH
5"	8'	24ZP-D50096CP	24ZMP-D50096CP	25ZP-D50096CP	44"
	9'	24ZP-D500108CP	24ZMP-D500108CP	25ZP-D500108CP	54"
	9½'	24ZP-D500114CP	24ZMP-D500114CP	25ZP-D500114CP	60"
	10'	24ZP-D500120CP	24ZMP-D500120CP	25ZP-D500120CP	68"
6"	8'	24ZP-D60096CP	24ZMP-D60096CP	25ZP-D60096CP	44"
	9'	24ZP-D600108CP	24ZMP-D600108CP	25ZP-D600108CP	54"
	9½'	24ZP-D600114CP	24ZMP-D600114CP	25ZP-D600114CP	60"
	10'	24ZP-D600120CP	24ZMP-D600120CP	25ZP-D600120CP	68"
6" to 5"	8'	24ZP-D605096CP	24ZMP-D605096CP	25ZP-D605096CP	44"
	9'	24ZP-D6050108CP	24ZMP-D6050108CP	25ZP-D6050108CP	54"
	9½'	24ZP-D6050114CP	24ZMP-D6050114CP	25ZP-D6050114CP	60"
	10'	24ZP-D6050120CP	24ZMP-D6050120CP	25ZP-D6050120CP	68"
7" to 5"	8'	24ZP-D705096CP	24ZMP-D705096CP	25ZP-D705096CP	44"
	9'	24ZP-D7050108CP	24ZMP-D7050108CP	25ZP-D7050108CP	54"
	9½'	24ZP-D7050114CP	24ZMP-D7050114CP	25ZP-D7050114CP	60"
	10'	24ZP-D7050120CP	24ZMP-D7050120CP	25ZP-D7050120CP	68"
8" to 5"	8'	24ZP-D805096CP	24ZMP-D805096CP	25ZP-D805096CP	44"
	9'	24ZP-D8050108CP	24ZMP-D8050108CP	25ZP-D8050108CP	54"
	9½'	24ZP-D8050114CP	24ZMP-D8050114CP	25ZP-D8050114CP	60"
	10'	24ZP-D8050120CP	24ZMP-D8050120CP	25ZP-D8050120CP	68"

FOR A QUIET MUFFLER BUILT INTO THE SPOOL STACK, ADD "Q" TO THE PART NO.  
EXAMPLE: 25ZP-DQ6050108CP

6" ELBOW REDUCED TO 5"  
PN-14ZPBX-30566050CP

1 STACK FEATURES INTERNAL EXTENSION DEVICE TO PERMIT ROTATION OF STACK TOP TO SUIT VARIOUS INSTALLATION REQUIREMENTS.

Patent Applied  
© Copyright 2012 Dynaflex Products

MODEL 379



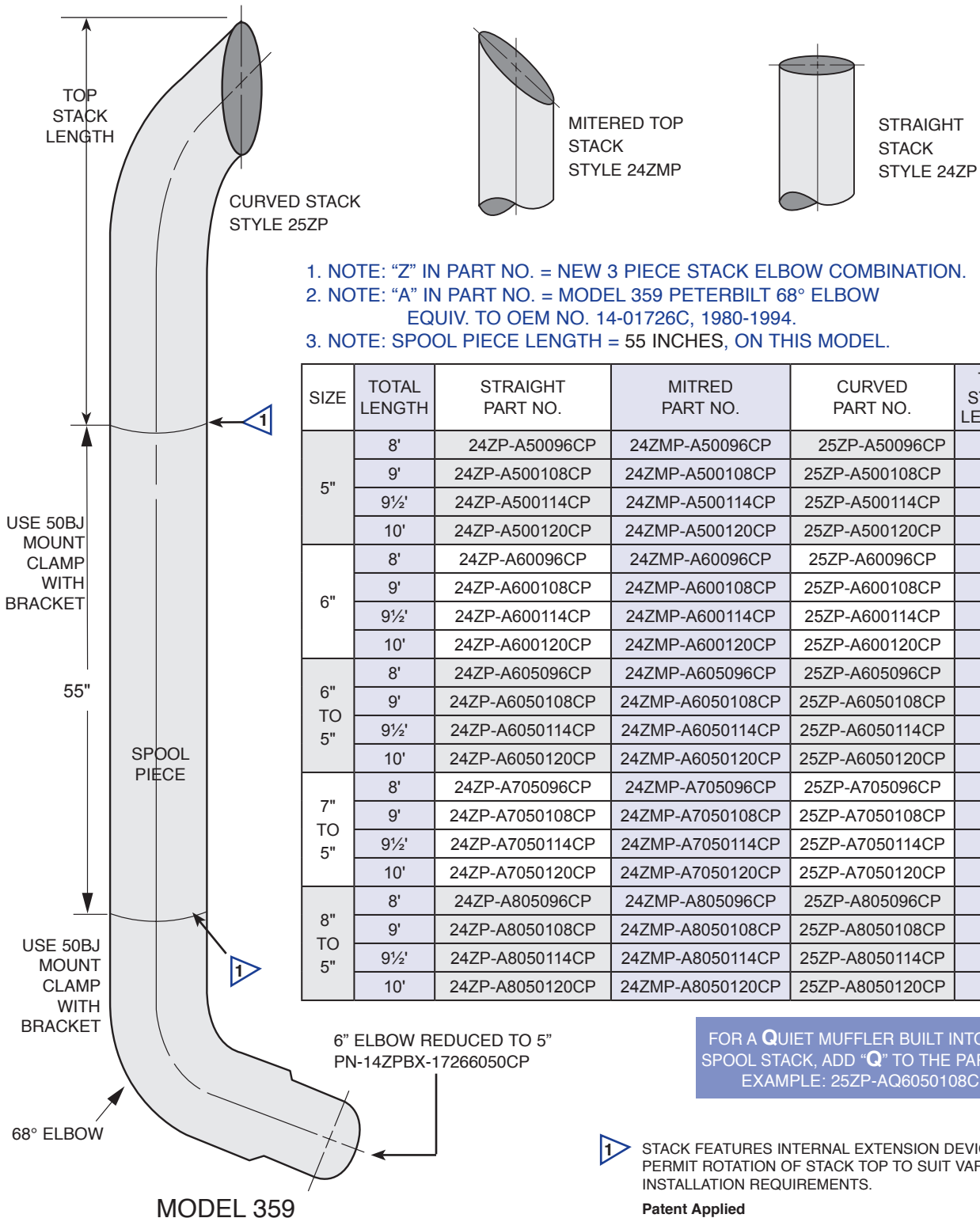
## THREE PIECE Z SERIES STACKS

5"/6"/7"/8"

### PETERBILT STACK EXTENSIONS

# MODEL 359

## PETERBILT - 68° ELBOW AND 55" SPOOL PIECE



- NOTE: "Z" IN PART NO. = NEW 3 PIECE STACK ELBOW COMBINATION.
- NOTE: "A" IN PART NO. = MODEL 359 PETERBILT 68° ELBOW EQUIV. TO OEM NO. 14-01726C, 1980-1994.
- NOTE: SPOOL PIECE LENGTH = 55 INCHES, ON THIS MODEL.

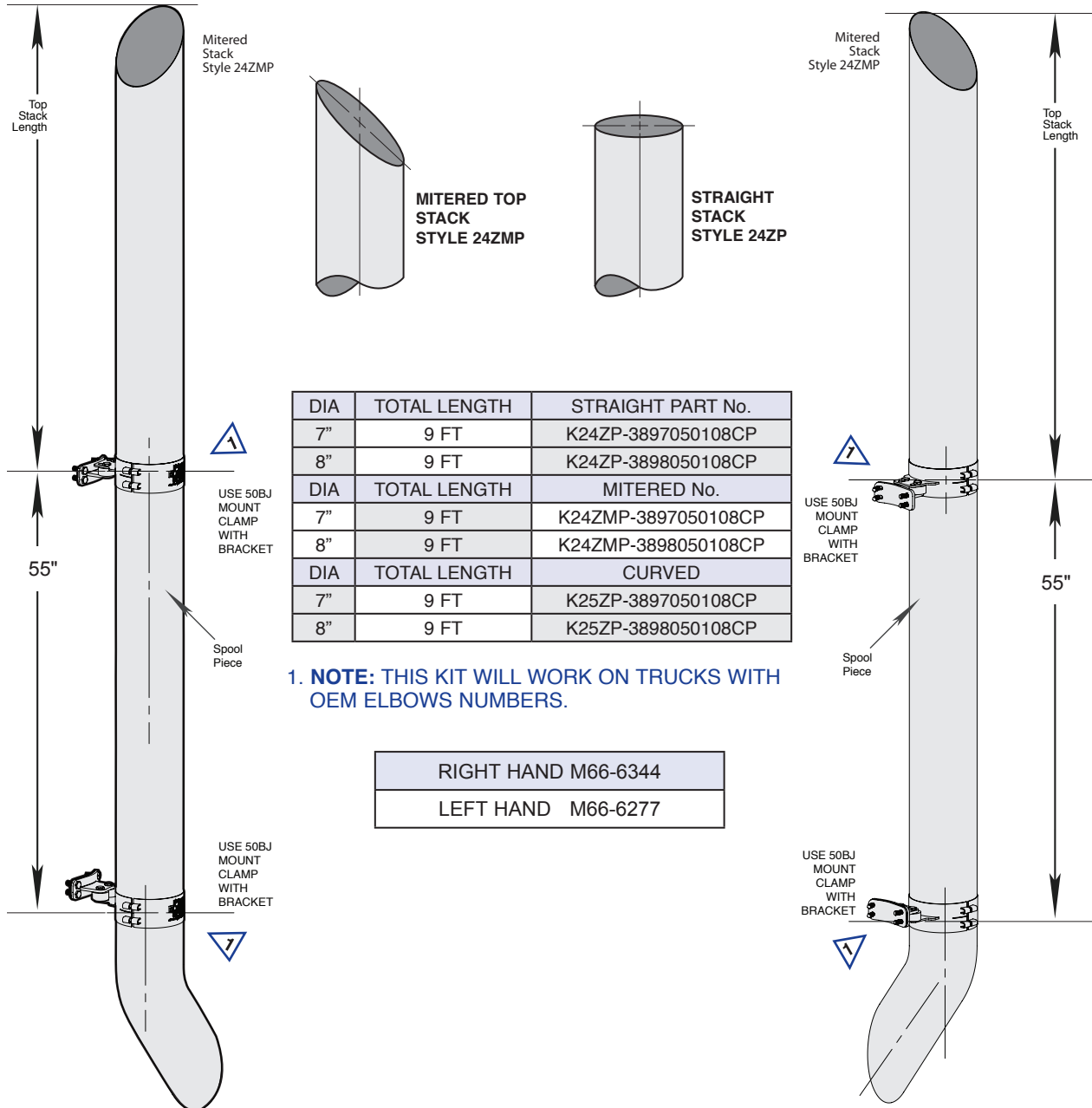
SIZE	TOTAL LENGTH	STRAIGHT PART NO.	MITRED PART NO.	CURVED PART NO.	TOP STACK LENGTH
5"	8'	24ZP-A50096CP	24ZMP-A50096CP	25ZP-A50096CP	44"
	9'	24ZP-A500108CP	24ZMP-A500108CP	25ZP-A500108CP	54"
	9½'	24ZP-A500114CP	24ZMP-A500114CP	25ZP-A500114CP	60"
	10'	24ZP-A500120CP	24ZMP-A500120CP	25ZP-A500120CP	68"
6"	8'	24ZP-A60096CP	24ZMP-A60096CP	25ZP-A60096CP	44"
	9'	24ZP-A600108CP	24ZMP-A600108CP	25ZP-A600108CP	54"
	9½'	24ZP-A600114CP	24ZMP-A600114CP	25ZP-A600114CP	60"
	10'	24ZP-A600120CP	24ZMP-A600120CP	25ZP-A600120CP	68"
6" TO 5"	8'	24ZP-A605096CP	24ZMP-A605096CP	25ZP-A605096CP	44"
	9'	24ZP-A6050108CP	24ZMP-A6050108CP	25ZP-A6050108CP	54"
	9½'	24ZP-A6050114CP	24ZMP-A6050114CP	25ZP-A6050114CP	60"
	10'	24ZP-A6050120CP	24ZMP-A6050120CP	25ZP-A6050120CP	68"
7" TO 5"	8'	24ZP-A705096CP	24ZMP-A705096CP	25ZP-A705096CP	44"
	9'	24ZP-A7050108CP	24ZMP-A7050108CP	25ZP-A7050108CP	54"
	9½'	24ZP-A7050114CP	24ZMP-A7050114CP	25ZP-A7050114CP	60"
	10'	24ZP-A7050120CP	24ZMP-A7050120CP	25ZP-A7050120CP	68"
8" TO 5"	8'	24ZP-A805096CP	24ZMP-A805096CP	25ZP-A805096CP	44"
	9'	24ZP-A8050108CP	24ZMP-A8050108CP	25ZP-A8050108CP	54"
	9½'	24ZP-A8050114CP	24ZMP-A8050114CP	25ZP-A8050114CP	60"
	10'	24ZP-A8050120CP	24ZMP-A8050120CP	25ZP-A8050120CP	68"

FOR A QUIET MUFFLER BUILT INTO THE SPOOL STACK, ADD "Q" TO THE PART NO. EXAMPLE: 25ZP-AQ6050108CP

**1** STACK FEATURES INTERNAL EXTENSION DEVICE TO PERMIT ROTATION OF STACK TOP TO SUIT VARIOUS INSTALLATION REQUIREMENTS.

Patent Applied  
© Copyright 2012 Dynaflex Products

**PETERBILT STACK EXTENSIONS**  
**MODEL 389 EXTREME MONSTER STACKS**  
 2007 AND EARLY 2008 WITH OEM ELBOWS  
 RH M66-6344 LH M66-6277



**1** STACK FEATURES INTERNAL EXTENSION DEVICE TO PERMIT ROTATION OF STACK TOP TO SUIT VARIOUS INSTALLATION REQUIREMENTS.

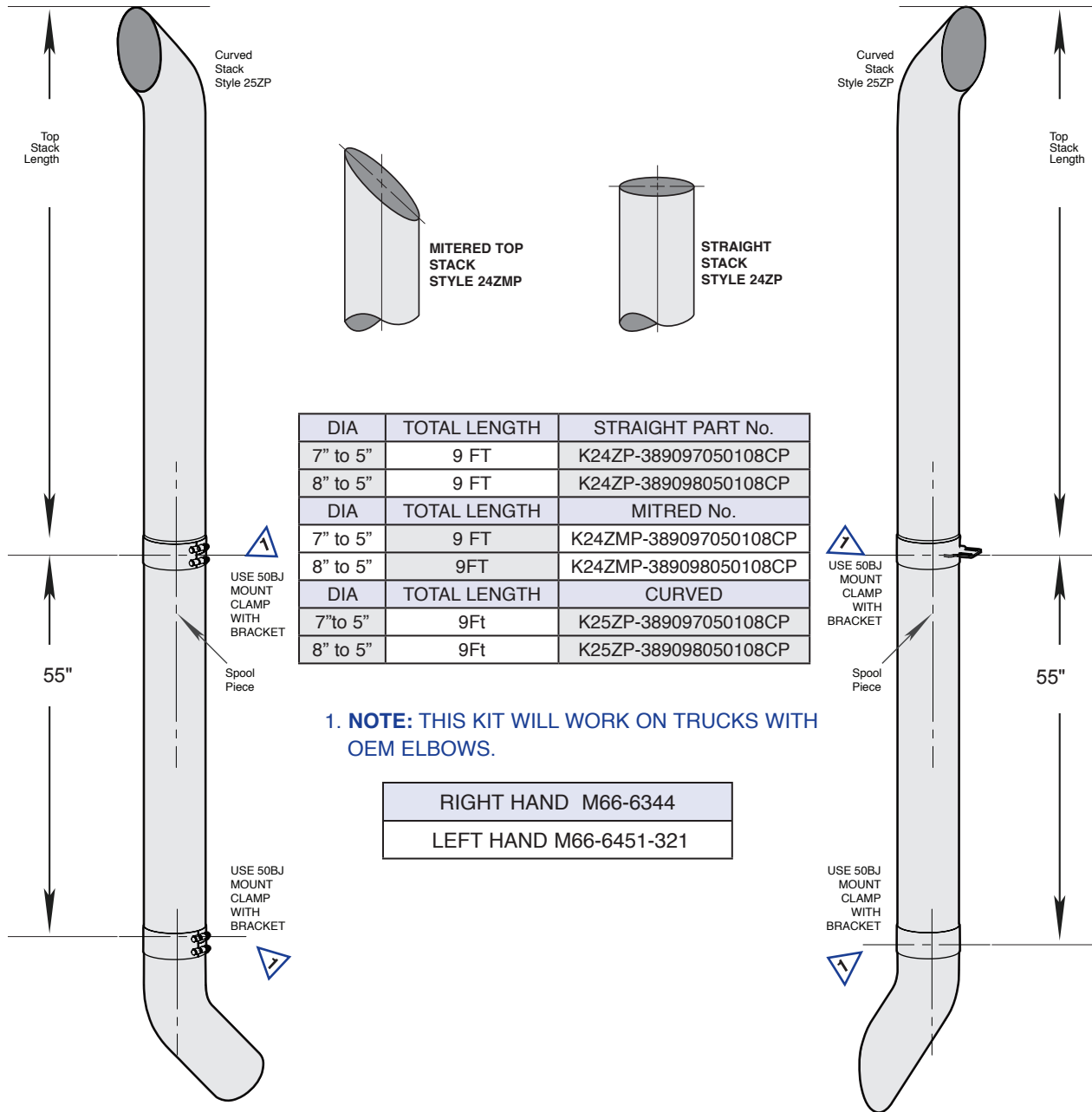
Patent Applied  
© Copyright 2012 Dynaflex Products

## PETERBILT STACK EXTENSIONS

# MODEL 389 EXTREME MONSTER STACKS

### 2009 WITH OEM ELBOWS

Right hand M66-6344 Left Hand M66-6451-320



 STACK FEATURES INTERNAL EXTENSION DEVICE TO PERMIT ROTATION OF STACK TOP TO SUIT VARIOUS INSTALLATION REQUIREMENTS.

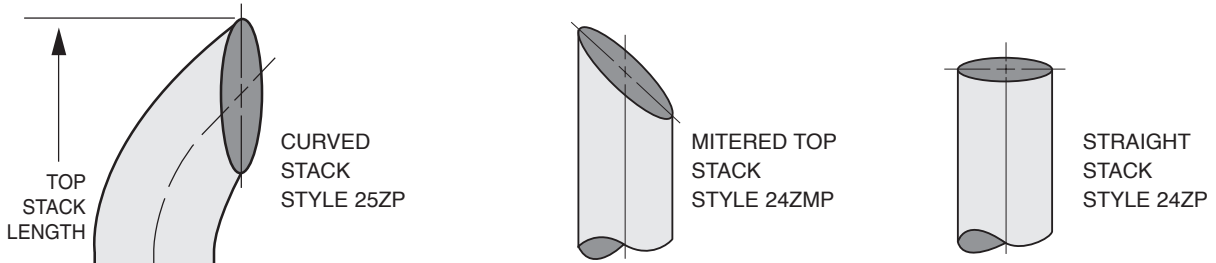
**Patent Applied**  
© Copyright 2012 Dynaflex Products

# LONG LEG 90° PICKET ELBOW 6"/7"/8"

## ROD PICKET MONSTER STACKS

### MODEL 379

#### 52" SPOOL PIECE



1. NOTE: Z IN PART NO. = NEW 3 PIECE STACK ELBOW COMBINATION.
2. NOTE: "RP" IN PART NO. = ROD PICKET COMBO FOR MODEL 379 PETERBILT ELBOW 14ZPBX-RP(DIA)
3. NOTE: SPOOL PIECE LENGTH = 52 INCHES, ON THIS MODEL.
4. NOTE: 2003-2006 USE 55" SPOOL PIECE  
\* SOME 2003 MODEL MAY REQUIRED TO USE 52" SPOOL.

SIZE	TOTAL LENGTH	STRAIGHT PART NO.	MITRED PART NO.	CURVED PART NO.	TOP STACK LENGTH
5"	8FT	24ZP-RP50096CP	24ZMP-RP50096CP	25ZP-RP50096CP	44"
	9FT	24ZP-RP500108CP	24ZMP-RP500108CP	25ZP-RP500108CP	54"
	9½FT	24ZP-RP500114CP	24ZMP-RP500114CP	25ZP-RP500114CP	60"
	10FT	24ZP-RP500120CP	24ZMP-RP500120CP	25ZP-RP500120CP	68"
6"	8FT	24ZP-RP60096CP	24ZMP-RP60096CP	25ZP-RP60096CP	44"
	9FT	24ZP-RP600108CP	24ZMP-RP600108CP	25ZP-RP600108CP	54"
	9½FT	24ZP-RP600114CP	24ZMP-RP600114CP	25ZP-RP600114CP	60"
	10FT	24ZP-RP600120CP	24ZMP-RP600120CP	25ZP-RP600120CP	68"
6" TO 5"	8FT	24ZP-RP605096CP	24ZMP-RP605096CP	25ZP-RP605096CP	44"
	9FT	24ZP-RP6050108CP	24ZMP-RP6050108CP	25ZP-RP6050108CP	54"
	9½FT	24ZP-RP6050114CP	24ZMP-RP6050114CP	25ZP-RP6050114CP	60"
	10FT	24ZP-RP6050120CP	24ZMP-RP6050120CP	25ZP-RP6050120CP	68"
7" TO 5"	8FT	24ZP-RP705096CP	24ZMP-RP705096CP	25ZP-RP705096CP	44"
	9FT	24ZP-RP7050108CP	24ZMP-RP7050108CP	25ZP-RP7050108CP	54"
	9½FT	24ZP-RP7050114CP	24ZMP-RP7050114CP	25ZP-RP7050114CP	60"
	10FT	24ZP-RP7050120CP	24ZMP-RP7050120CP	25ZP-RP7050120CP	68"
8" TO 5"	8FT	24ZP-RP805096CP	24ZMP-RP805096CP	25ZP-RP805096CP	44"
	9FT	24ZP-RP8050108CP	24ZMP-RP8050108CP	25ZP-RP8050108CP	54"
	9½FT	24ZP-RP8050114CP	24ZMP-RP8050114CP	25ZP-RP8050114CP	60"
	10FT	24ZP-RP8050120CP	24ZMP-RP8050120CP	25ZP-RP8050120CP	68"

USE 50BJ MOUNT CLAMP WITH BRACKET

SPOOL PIECE

USE 50BJ MOUNT CLAMP WITH BRACKET

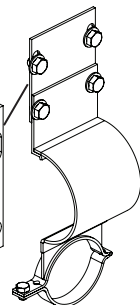
FOR A QUIET MUFFLER BUILT INTO THE SPOOL STACK, ADD "Q" TO THE PART NO.  
EXAMPLE: 25ZP-RPQ6050108CP

STACK FEATURES INTERNAL EXTENSION DEVICE TO PERMIT ROTATION OF STACK TOP TO SUIT VARIOUS INSTALLATION REQUIREMENTS.

Patent Applied  
© Copyright 2012 Dynaflex Products

PN-14PB-2999Z

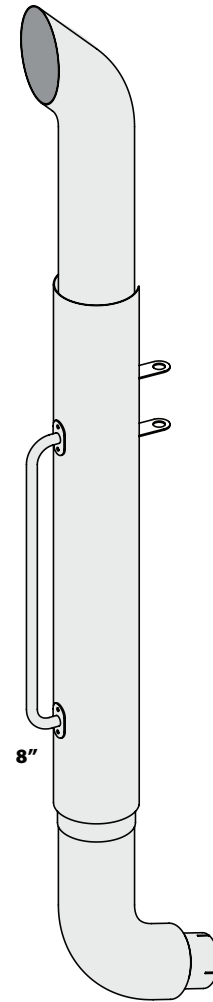
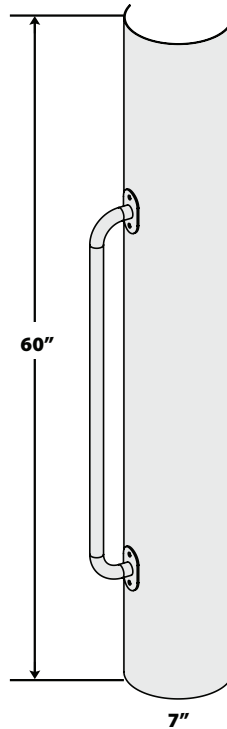
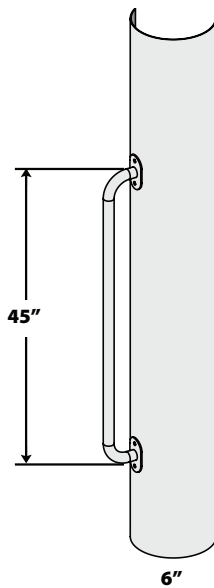
SUPPORT HANGER  
ZINC PLATED



90° ELBOW

6" ELBOW REDUCED TO 5"  
PN-14ZPBX-RP6050CP

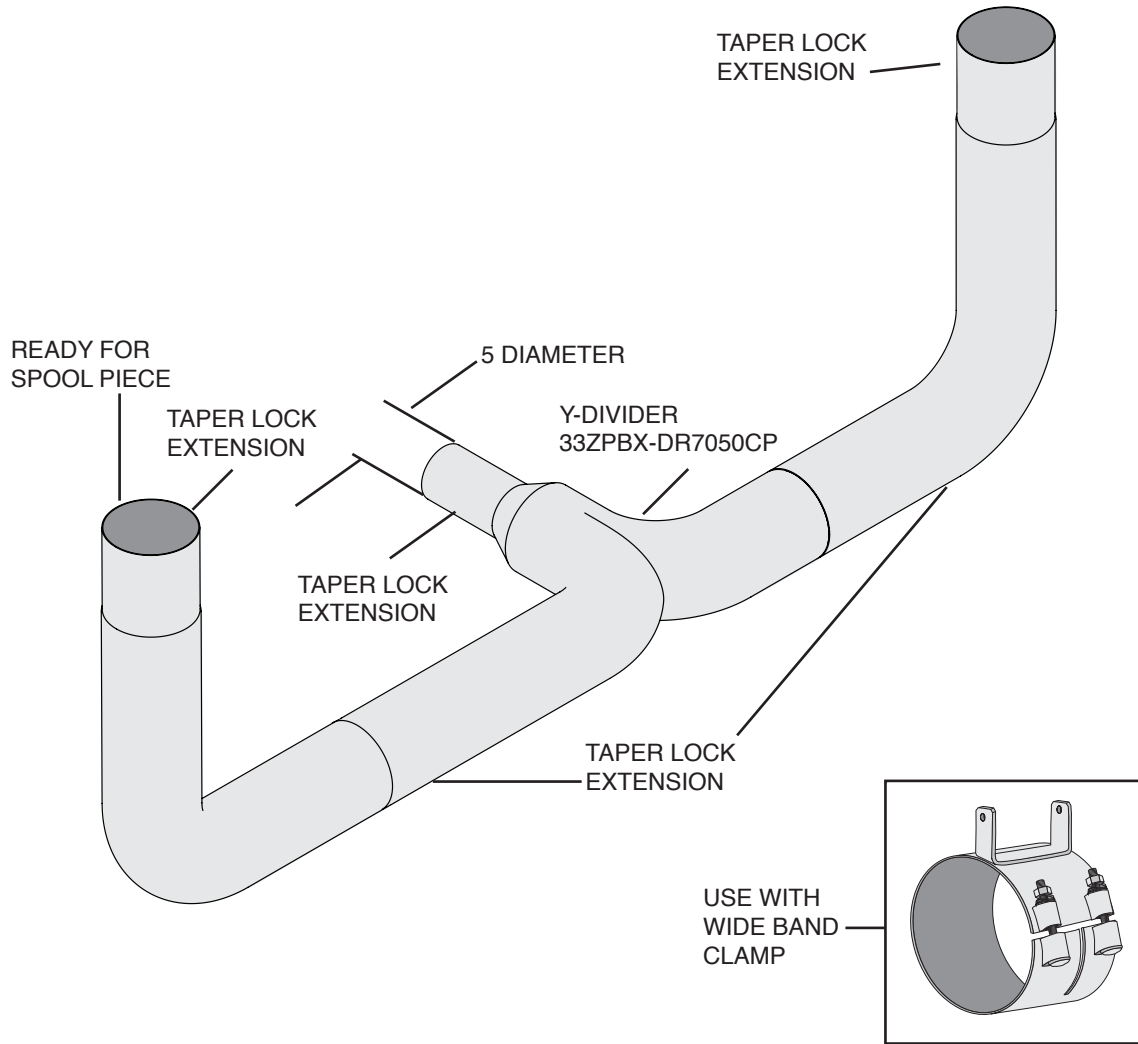
## STAINLESS STEEL SHIELD & GRAB HANDLE FOR 6", 7" AND 8" STACKS SUPER BRIGHT POLISHED FINISH



### SHIELD, HANDLE AND CLAMP

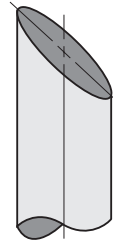
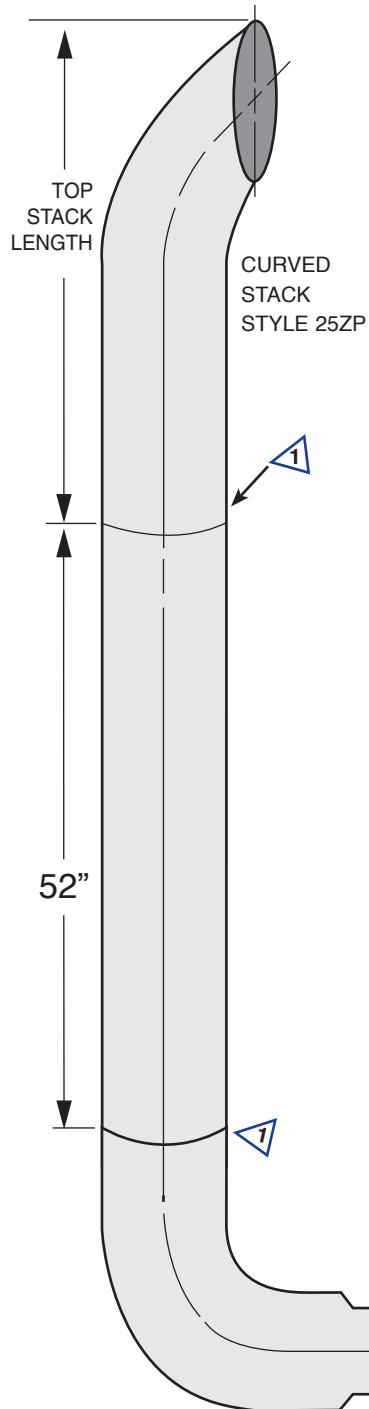
SIZE	PART No.	LENGTH
6"	80DN-8560060SP	60"
7"	80DN-8570060SP	60"
8"	80DN-8580060SP	60"

## INTRODUCING THE NEW 7" AND 8" Y DIVIDER AND PICKET ELBOW COMBO

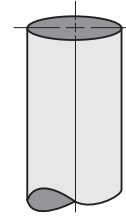


SIZE	PICKET ELBOW	SPECIAL Y-DIVIDER	BUTT JOINT CLAMP
6"	14ZPBX-DR600CP	33ZPBX-DR6050CP	50BJ-600CP
7"	14ZPBX-DR700CP	33ZPBX-DR7050CP	50BJ-700CP
8"	14ZPBX-DR800CP	33ZPBX-DR8050CP	50BJ-800CP
6"- 5"	14ZPBX-DR6050CP	33ZPBX-DR500CP	50BJ-500CP
7"- 5"	14ZPBX-DR7050CP		
8"- 5"	14ZPBX-DR8050CP		

## 10" GIANT MONSTER STACKS



MITERED TOP  
STACK  
STYLE 24ZMP



STRAIGHT  
STACK  
STYLE 24ZP

MITERED	CURVED	STRAIGHT
24ZMP-RP1005096CP	25ZP-RP1005096CP	24ZP-RP1005096CP
24ZMP-RP10050108CP	25ZP-RP10050108CP	24ZP-RP10050108CP
24ZMP-RP10050114CP	25ZP-RP10050114CP	24ZP-RP10050114CP
24ZMP-RP10050120CP	25ZP-RP10050120CP	24ZP-RP10050120CP

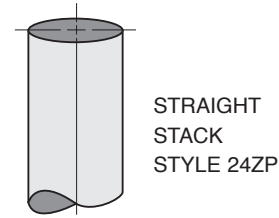
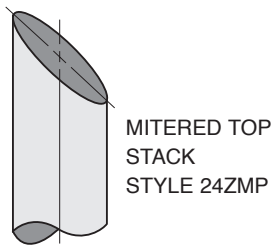
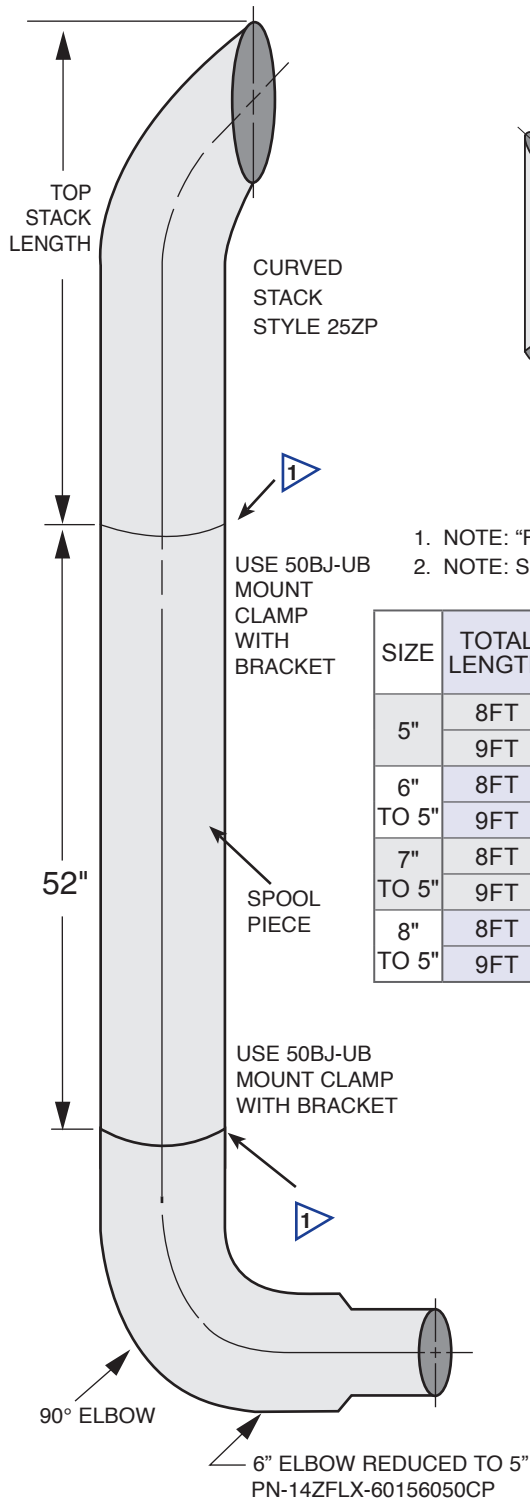
**1** STACK FEATURES INTERNAL EXTENSION DEVICE TO PERMIT ROTATION OF STACK TOP TO SUIT VARIOUS INSTALLATION REQUIREMENTS.

Patent Applied  
© Copyright 2012 Dynaflex Products

## THREE PIECE Z SERIES STACKS 5" / 6" / 7" / 8"

### FREIGHTLINER STACK EXTENSIONS WITH 90° ELBOW

### FREIGHTLINER MODEL 120 1985 TO PRESENT CONVENTIONAL CAB



1. NOTE: "F" IN PART NO. = OEM 04-04589-015 ELBOW STYLE.
2. NOTE: SPOOL PIECE LENGTH= 52" ON THIS MODEL.

SIZE	TOTAL LENGTH	STRAIGHT PART NO.	MITRED PART NO.	CURVED PART NO.	TOP STACK LENGTH
5"	8FT	24ZP-F50096CP	24ZMP-F50096CP	25ZP-F50096CP	44"
	9FT	24ZP-F500108CP	24ZMP-F500108CP	25ZP-F500108CP	54"
6"	8FT	24ZP-F605096CP	24ZMP-F605096CP	25ZP-F605096CP	44"
	TO 5"	9FT	24ZP-F6050108CP	24ZMP-F6050108CP	54"
7"	8FT	24ZP-F705096CP	24ZMP-F705096CP	25ZP-F705096CP	44"
	TO 5"	9FT	24ZP-F7050108CP	24ZMP-F7050108CP	54"
8"	8FT	24ZP-F805096CP	24ZMP-F805096CP	25ZP-F805096CP	44"
	TO 5"	9FT	24ZP-F8050108CP	24ZMP-F8050108CP	54"

FOR A QUIET MUFFLER BUILT INTO THE SPOOL STACK, ADD "Q" TO THE PART NO.  
EXAMPLE: 25ZP-FQ605096CP

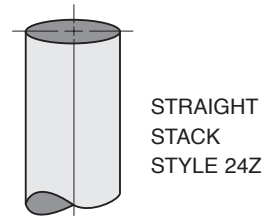
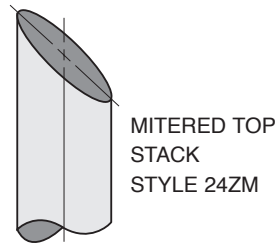
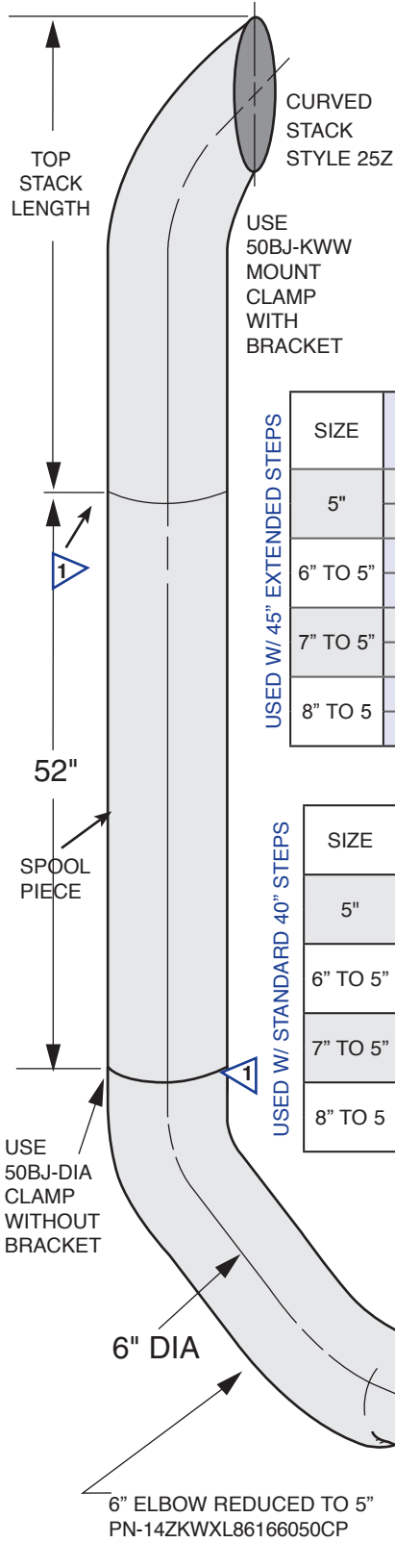
**1** STACK FEATURES INTERNAL EXTENSION DEVICE TO PERMIT ROTATION OF STACK TOP TO SUIT VARIOUS INSTALLATION REQUIREMENTS.

**Patent Applied**  
© Copyright 2012 Dynaflex Products



## THREE PIECE Z SERIES STACKS 5" & 6" DIAMETERS

### KENWORTH 1995 TO 2002 AEROCAB™ W900L MODEL UNDER FRAME



**USED W/ 45° EXTENDED STEPS**

SIZE	TOTAL LENGTH	STRAIGHT PART NO.	MITRED PART NO.	CURVED PART NO.	TOP STACK LENGTH
5"	8FT	24Z-RV50096CP	24ZM-RV50096CP	25Z-RV50096CP	44"
	9FT	24Z-RV500108CP	24ZM-RV500108CP	25Z-RV500108CP	54"
6" TO 5"	8FT	24Z-RV605096CP	24ZM-RV605096CP	25Z-RV605096CP	44"
	9FT	24Z-RV6050108CP	24ZM-RV6050108CP	25Z-RV6050108CP	54"
7" TO 5"	8FT	24Z-RV705096CP	24ZM-RV705096CP	25Z-RV705096CP	44"
	9FT	24Z-RV7050108CP	24ZM-RV7050108CP	25Z-RV7050108CP	54"
8" TO 5"	8FT	24Z-RV805096CP	24ZM-RV805096CP	25Z-RV805096CP	44"
	9FT	24Z-RV8050108CP	24ZM-RV8050108CP	25Z-RV8050108CP	54"

REPLACE "R" IN PART NO. WITH "L" FOR LEFT SIDE ELBOW

**USED W/ STANDARD 40° STEPS**

SIZE	TOTAL LENGTH	STRAIGHT PART NO.	MITRED PART NO.	CURVED PART NO.	TOP STACK LENGTH
5"	8FT	24Z-RW50096CP	24ZM-RW50096CP	25Z-RW50096CP	44"
	9FT	24Z-RW500108CP	24ZM-RW500108CP	25Z-RW500108CP	54"
6" TO 5"	8FT	24Z-RW605096CP	24ZM-RW605096CP	25Z-RW605096CP	44"
	9FT	24Z-RW6050108CP	24ZM-RW6050108CP	25Z-RW6050108CP	54"
7" TO 5"	8FT	24Z-RW705096CP	24ZM-RW705096CP	25Z-RW705096CP	44"
	9FT	24Z-RW7050108CP	24ZM-RW7050108CP	25Z-RW7050108CP	54"
8" TO 5"	8FT	24Z-RW805096CP	24ZM-RW805096CP	25Z-RW805096CP	44"
	9FT	24Z-RW8050108CP	24ZM-RW8050108CP	25Z-RW8050108CP	54"

REPLACE "R" IN PART NO. WITH "L" FOR LEFT SIDE ELBOW  
10 FT. LENGTH EXCEEDS OAL HEIGHT

FOR A QUIET MUFFLER BUILT INTO THE SPOOL STACK, ADD "Q" TO THE PART NO.  
EXAMPLE: 25Z-RVQ605096CP

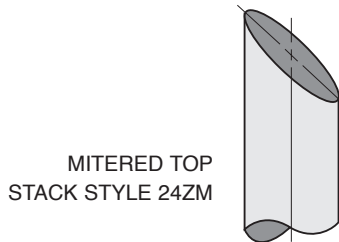
**1** STACK FEATURES INTERNAL EXTENSION DEVICE TO PERMIT ROTATION OF STACK TOP TO SUIT VARIOUS INSTALLATION REQUIREMENTS.

Patent Applied  
© Copyright 2012 Dynaflex Products

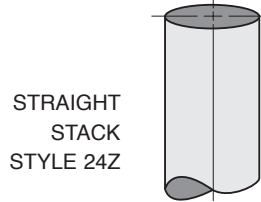
## THREE PIECE Z SERIES STACKS

5"/6"/7"/8"

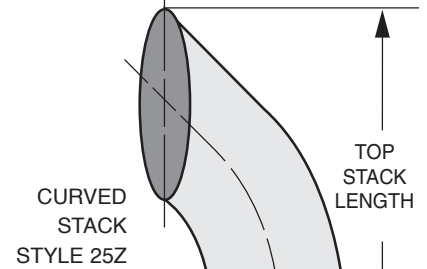
### KENWORTH STACK EXTENSIONS WITH 23° AND 90° DOUBLE BEND ELBOW MODEL W900 A (UNDER FRAME) AND B (OVER FRAME)



MITERED TOP  
STACK STYLE 24ZM



STRAIGHT  
STACK  
STYLE 24Z



CURVED  
STACK  
STYLE 25Z

- NOTE: "Z" IN PART NO. = NEW 3 PIECE STACK ELBOW COMBINATION.
- NOTE: "B" IN PART NO. = ELBOW STYLE EQUIV. TO OEM NO. K180-10742CP USED ON W900A (A MODEL KW) AS SHOWN THIS PAGE.
- NOTE: "C" IN PART NO. = ELBOW STYLE EQUIV. TO OEM NO. K180-14764CP USED ON W900B (B MODEL KW).
- NOTE: SPOOL PIECE LENGTH= 48" ON THIS MODEL.

SIZE	TOTAL LENGTH	STRAIGHT PART NO.	MITRED PART NO.	CURVED PART NO.	TOP STACK LENGTH
5"	8FT	24Z-RB50096CP	24ZM-RB50096CP	25Z-RB50096CP	48"
	8½FT	24Z-RB500102CP	24ZM-RB500102CP	25Z-RB500102CP	54"
	9FT*	24Z-RB500108CP	24ZM-RB500108CP	25Z-RB500108CP	60"
6" TO 5"	8FT	24Z-RB605096CP	24ZM-RB605096CP	25Z-RB605096CP	48"
	8½FT	24Z-RB6050102CP	24ZM-RB6050102CP	25Z-RB6050102CP	54"
	9FT*	24Z-RB6050108CP	24ZM-RB6050108CP	25Z-RB6050108CP	60"
7" TO 5"	8FT	24Z-RB705096CP	24ZM-RB705096CP	25Z-RB705096CP	48"
	8½FT	24Z-RB7050102CP	24ZM-RB7050102CP	25Z-RB7050102CP	54"
	9FT*	24Z-RB7050108CP	24ZM-RB7050108CP	25Z-RB7050108CP	60"
8" TO 5"	8FT	24Z-RB805096CP	24ZM-RB805096CP	25Z-RB805096CP	48"
	8½FT	24Z-RB8050102CP	24ZM-RB8050102CP	25Z-RB8050102CP	54"
	9FT*	24Z-RB8050108CP	24ZM-RB8050108CP	25Z-RB8050108CP	60"
5"	8FT	24Z-RC50096CP	24ZM-RC50096CP	25Z-RC50096CP	48"
	8½FT	24Z-RC500102CP	24ZM-RC500102CP	25Z-RC500102CP	54"
	9FT*	24Z-RC500108CP	24ZM-RC500108CP	25Z-RC500108CP	60"
6" TO 5"	8FT	24Z-RC605096CP	24ZM-RC605096CP	25Z-RC605096CP	48"
	8½FT	24Z-RC6050102CP	24ZM-RC6050102CP	25Z-RC6050102CP	54"
	9FT*	24Z-RC6050108CP	24ZM-RC6050108CP	25Z-RC6050108CP	60"
7" TO 5"	8FT	24Z-RC705096CP	24ZM-RC705096CP	25Z-RC705096CP	48"
	8½FT	24Z-RC7050102CP	24ZM-RC7050102CP	25Z-RC7050102CP	54"
	9FT*	24Z-RC7050108CP	24ZM-RC7050108CP	25Z-RC7050108CP	60"
8" TO 5"	8FT	24Z-RC805096CP	24ZM-RC805096CP	25Z-RC805096CP	48"
	8½FT	24Z-RC8050102CP	24ZM-RC8050102CP	25Z-RC8050102CP	54"
	9FT*	24Z-RC8050108CP	24ZM-RC8050108CP	25Z-RC8050108CP	60"

"A" MODEL - UNDER FRAME

"B" MODEL - OVER FRAME

USE  
50BJ-KW  
MOUNT  
CLAMP  
WITH  
BRACKET

SPOOL  
PIECE

USE  
50BJ-DIA  
CLAMP  
WITHOUT  
BRACKET

48"

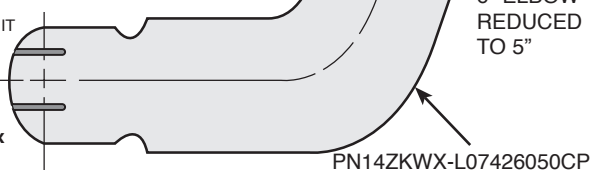
6" ELBOW  
REDUCED  
TO 5"

REPLACE "R" IN PART NO. WITH "L" FOR LEFT SIDE ELBOW  
\*EXCEEDS 13FT. 6 INCH MAX HEIGHT ALLOWED.

FOR A QUIET MUFFLER BUILT INTO THE SPOOL STACK, ADD "Q" TO THE PART NO.  
EXAMPLE: 25Z-RBQ605096CP

STACK FEATURES INTERNAL EXTENSION DEVICE TO PERMIT ROTATION OF STACK TOP TO SUIT VARIOUS INSTALLATION REQUIREMENTS.

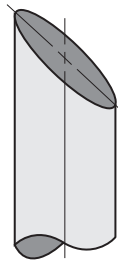
Patent Applied  
© Copyright 2012 Dynaflex  
Products



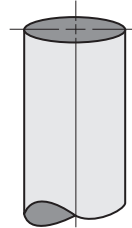
## STACK EXTENSIONS

# KENWORTH 2007, 2008 AND 2009 T800 STUDIO SLEEPER KENWORTH 2007, 2008 AND 2009 W900L STUDIO SLEEPER.

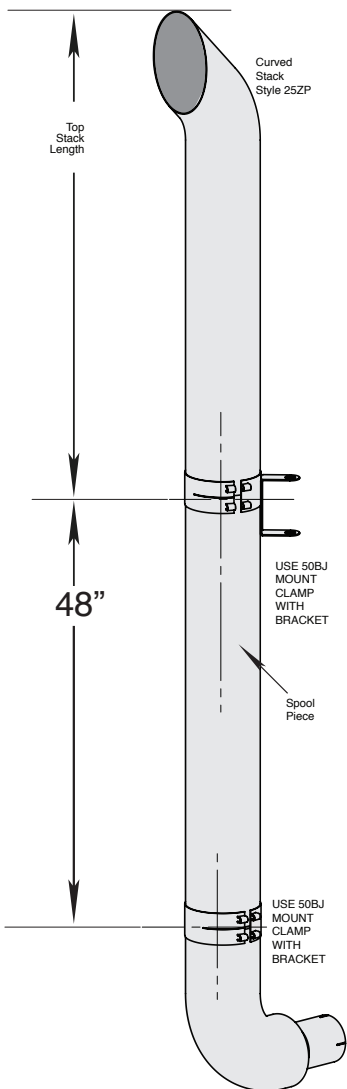
**WITH OEM ELBOWS PART NUMBERS  
RH M66-2323 LH M66-2319**



MITERED TOP  
STACK  
STYLE 24ZM



STRAIGHT  
STACK  
STYLE 24Z

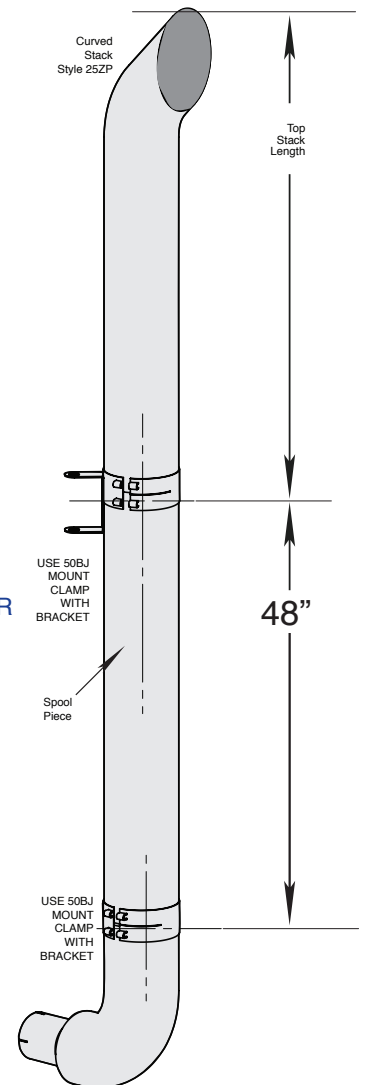


DIA	TOTAL LENGTH	STRAIGHT PART No.
7" TO 5"	9 FT	KR24ZP-W900LSS7050108CP
8" TO 5"	9 FT	KR24ZP-W900LSS8050108CP
DIA	TOTAL LENGTH	MITRED No.
7" TO 5"	9 FT	KR24ZMP-W900LSS7050108CP
8" TO 5"	9 FT	KR24ZMP-W900LSS8050108CP
DIA	TOTAL LENGTH	CURVED No.
7" TO 5"	9 FT	KR25ZP-W900LSS7050108CP
8" TO 5"	9 FT	KR25ZP-W900LSS8050108CP

**1. NOTE: THIS KIT WILL WORK ON TRUCKS W900L STUDIO SLEEPER, W900L AERO CAB SLEEPER, T800 WITH STUDIO SLEEPER 800 WITH AEROCAB SLEEPER WITH OEM ELBOWS**

**RIGHT HAND RH M66-2323**

**LEFT HAND LH M66-2319**



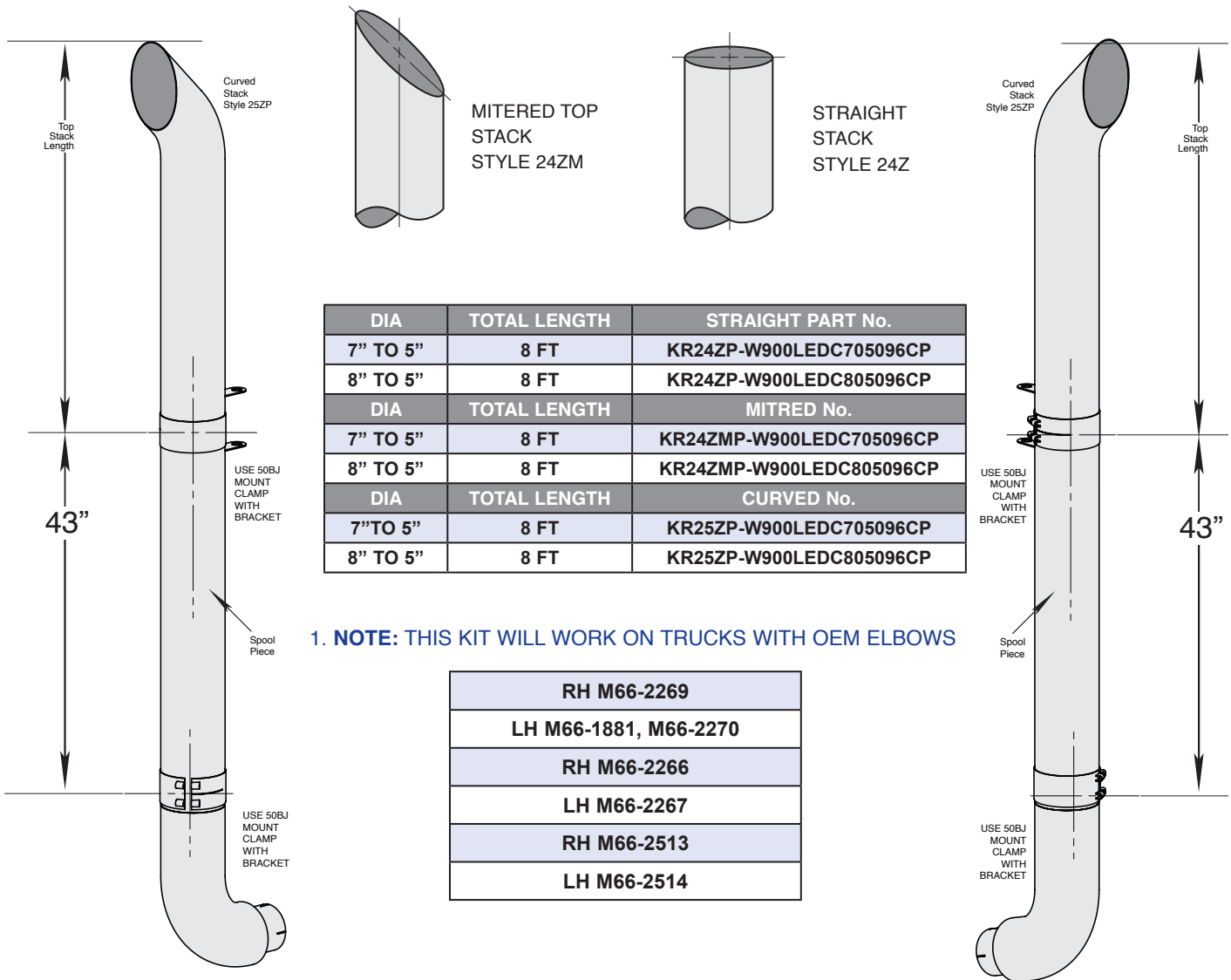
STACK FEATURES INTERNAL EXTENSION DEVICE TO PERMIT ROTATION OF STACK TOP TO SUIT VARIOUS INSTALLATION REQUIREMENTS.

**Patent Applied**  
© Copyright 2012 Dynaflex Products

## STACK EXTENSIONS KENWORTH 2008 W900L EXTENDED DAY CAB, AND T800 EXTENDED DAY CAB

WITH OEM ELBOWS

RH M66-2269, LH M66-1881, M66-2270, RH M66-2266, LH M66-2267, RH M66-2513, LH M66-2514



DIA	TOTAL LENGTH	STRAIGHT PART No.
7" TO 5"	8 FT	KR24ZP-W900LEDC705096CP
8" TO 5"	8 FT	KR24ZP-W900LEDC805096CP
DIA	TOTAL LENGTH	MITRED No.
7" TO 5"	8 FT	KR24ZMP-W900LEDC705096CP
8" TO 5"	8 FT	KR24ZMP-W900LEDC805096CP
DIA	TOTAL LENGTH	CURVED No.
7" TO 5"	8 FT	KR25ZP-W900LEDC705096CP
8" TO 5"	8 FT	KR25ZP-W900LEDC805096CP

**1. NOTE: THIS KIT WILL WORK ON TRUCKS WITH OEM ELBOWS**

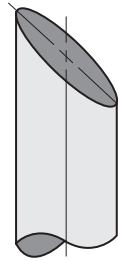
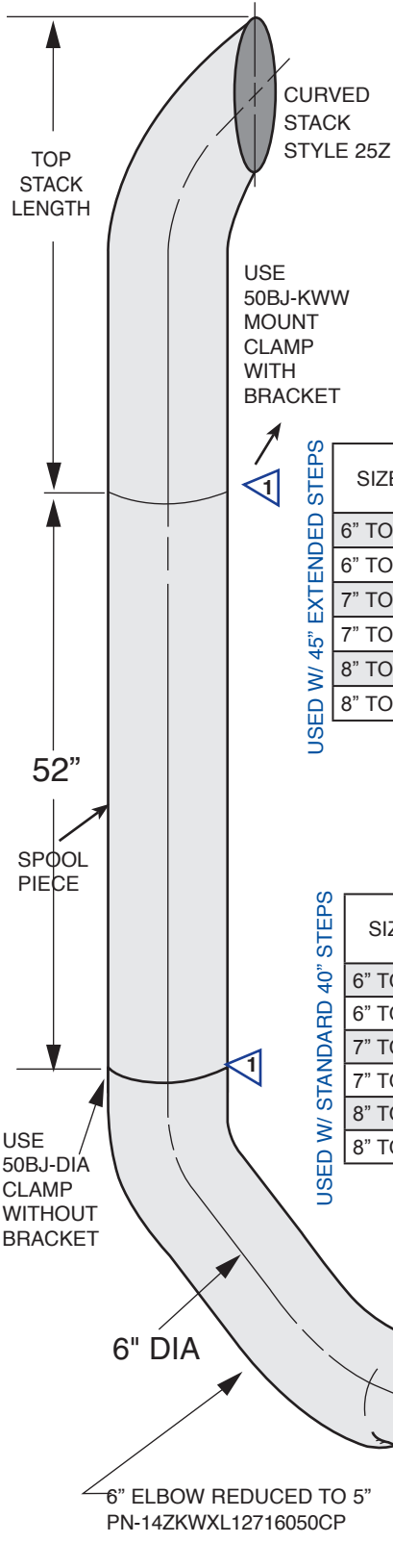
RH M66-2269
LH M66-1881, M66-2270
RH M66-2266
LH M66-2267
RH M66-2513
LH M66-2514

**1** STACK FEATURES INTERNAL EXTENSION DEVICE TO PERMIT ROTATION OF STACK TOP TO SUIT VARIOUS INSTALLATION REQUIREMENTS.

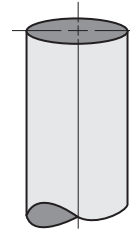
Patent Applied  
© Copyright 2012 Dynaflex Products

## THREE PIECE Z SERIES STACKS 5", 6", 7" & 8" DIAMETERS

### KENWORTH 2003, 2006 AEROCAB™ W900L MODEL UNDER FRAME



MITERED TOP  
STACK  
STYLE 24ZM



STRAIGHT  
STACK  
STYLE 24Z

- NOTE: "G" IN PART NO. =OEM M66-1271CP ELBOW STYLE LONGER ELBOW USED WITH 45" EXTENDED STEPS.
- NOTE: SPOOL PIECE LENGTH = 52" ON THIS MODEL.

USED W/ 45" EXTENDED STEPS

SIZE	TOTAL LENGTH	PART NO.	PART NO.	PART NO.	TOP STACK LENGTH
6" TO 5"	8FT	24Z-RG605096CP	24ZM-RG605096CP	25Z-RG605096CP	44"
6" TO 5"	9FT	24Z-RG6050108CP	24ZM-RG6050108CP	25Z-RG6050108CP	54"
7" TO 5"	8FT	24Z-RG705096CP	24ZM-RG705096CP	25Z-RG705096CP	44"
7" TO 5"	9FT	24Z-RG7050108CP	24ZM-RG7050108CP	25Z-RG7050108CP	54"
8" TO 5"	8FT	24Z-RG805096CP	24ZM-RG805096CP	25Z-RG805096CP	44"
8" TO 5"	9FT	24Z-RG8050108CP	24ZM-RG8050108CP	25Z-RG8050108CP	54"

REPLACE "R" IN PART NO. WITH "L" FOR LEFT SIDE ELBOW

- NOTE: "W" IN PART NO. =OEM M66-1270CP ELBOW STYLE SHORTER ELBOW USED WITH STANDARD 40" STEPS.
- NOTE: SPOOL PIECE LENGTH = 52" ON THIS MODEL.

USED W/ STANDARD 40" STEPS

SIZE	TOTAL LENGTH	PART NO.	PART NO.	PART NO.	TOP STACK LENGTH
6" TO 5"	8FT	24Z-RH605096CP	24ZM-RH605096CP	25Z-RH605096CP	44"
6" TO 5"	9FT	24Z-RH6050108CP	24ZM-RH6050108CP	25Z-RH6050108CP	54"
7" TO 5"	8FT	24Z-RH705096CP	24ZM-RH705096CP	25Z-RH705096CP	44"
7" TO 5"	9FT	24Z-RH7050108CP	24ZM-RH7050108CP	25Z-RH7050108CP	54"
8" TO 5"	8FT	24Z-RH805096CP	24ZM-RH805096CP	25Z-RH805096CP	44"
8" TO 5"	9FT	24Z-RH8050108CP	24ZM-RH8050108CP	25Z-RH8050108CP	54"

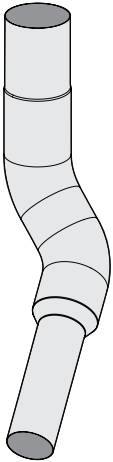
REPLACE "R" IN PART NO. WITH "L" FOR LEFT SIDE ELBOW  
10 FT. LENGTH EXCEEDS OAL HEIGHT

FOR A QUIET MUFFLER BUILT INTO THE SPOOL STACK, ADD "Q" TO THE PART NO.  
EXAMPLE: 25Z-RVQ605096CP

1 STACK FEATURES INTERNAL EXTENSION DEVICE TO PERMIT ROTATION OF STACK TOP TO SUIT VARIOUS INSTALLATION REQUIREMENTS.

Patent Applied  
© Copyright 2012 Dynaflex Products

## KENWORTH 2003, 2006 AEROCAB™ W900L MODEL UNDER FRAME



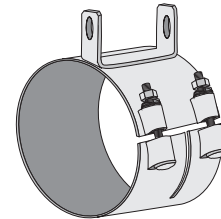
**KW=M66-1270RCP**  
Dynaflex Part No. 14ZKWX-R1270  
is a shorter elbow, used where  
standard 40" aluminum steps  
are used.

**1** STACK FEATURES INTERNAL EXTENSION  
DEVICE TO PERMIT ROTATION OF STACK  
TOP TO SUIT VARIOUS INSTALLATION  
REQUIREMENTS.

ILLUSTRATION SHOWS 6" DIA . ELBOW  
WITH TAPER LOCK EXTENSION  
ON TOP AND REDUCED TO 5"  
ON THE BOTTOM.



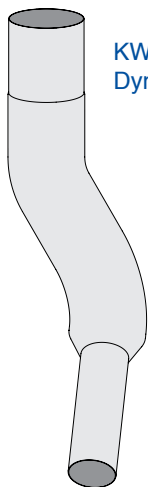
**KW=M66-1271RCP**  
Dynaflex Part No. 14ZKWX-R1271  
is a longer sweeping elbow to fit  
where the 45" extended aluminum  
steps are used.



CHROME PLATED TOP MOUNTING  
BRACKET CLAMP WITH SLOT  
FOR 5",6",7" AND 8" STACKS  
ELONGATED.

SIZE	KW=M66-1270RCP DYNAFLEX P.N. 14ZKWX-R1270CP	KW=M66-1271RCP DYNAFLEX P.N. 14ZKWX-R1271CP	TOP MOUNTING BRACKET CLAMP
5"	14ZKWX-R1270CP	14ZKWX-R1271CP	50BJ-KWW500SCP
6" to 5"	14ZKWX-R12706050CP	14ZKWX-R12716050CP	50BJ-KWW600SCP
7" to 5"	14ZKWX-R12707050CP	14ZKWX-R12717050CP	50BJ-KWW700SCP
8" to 5"	14ZKWX-R12708050CP	14ZKWX-R12718050CP	50BJ-KWW800SCP

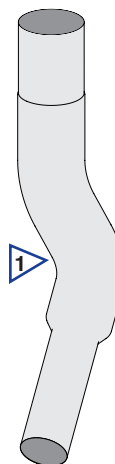
Replace "R" In Part No. With "L" For Left-Hand Elbow.



**KW=M66-1713RC**  
Dynaflex Part No. 14ZKWX-R1713CP.

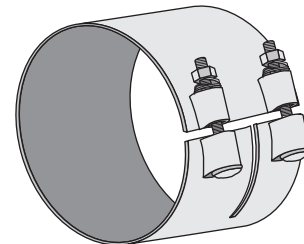
**1**

**1** STACK FEATURES INTERNAL EXTENSION  
DEVICE TO PERMIT ROTATION OF STACK  
TOP TO SUIT VARIOUS INSTALLATION  
REQUIREMENTS.



**KW=M66-1714RC**  
Dynaflex Part No. 14ZKWX-R1714CP

**1**



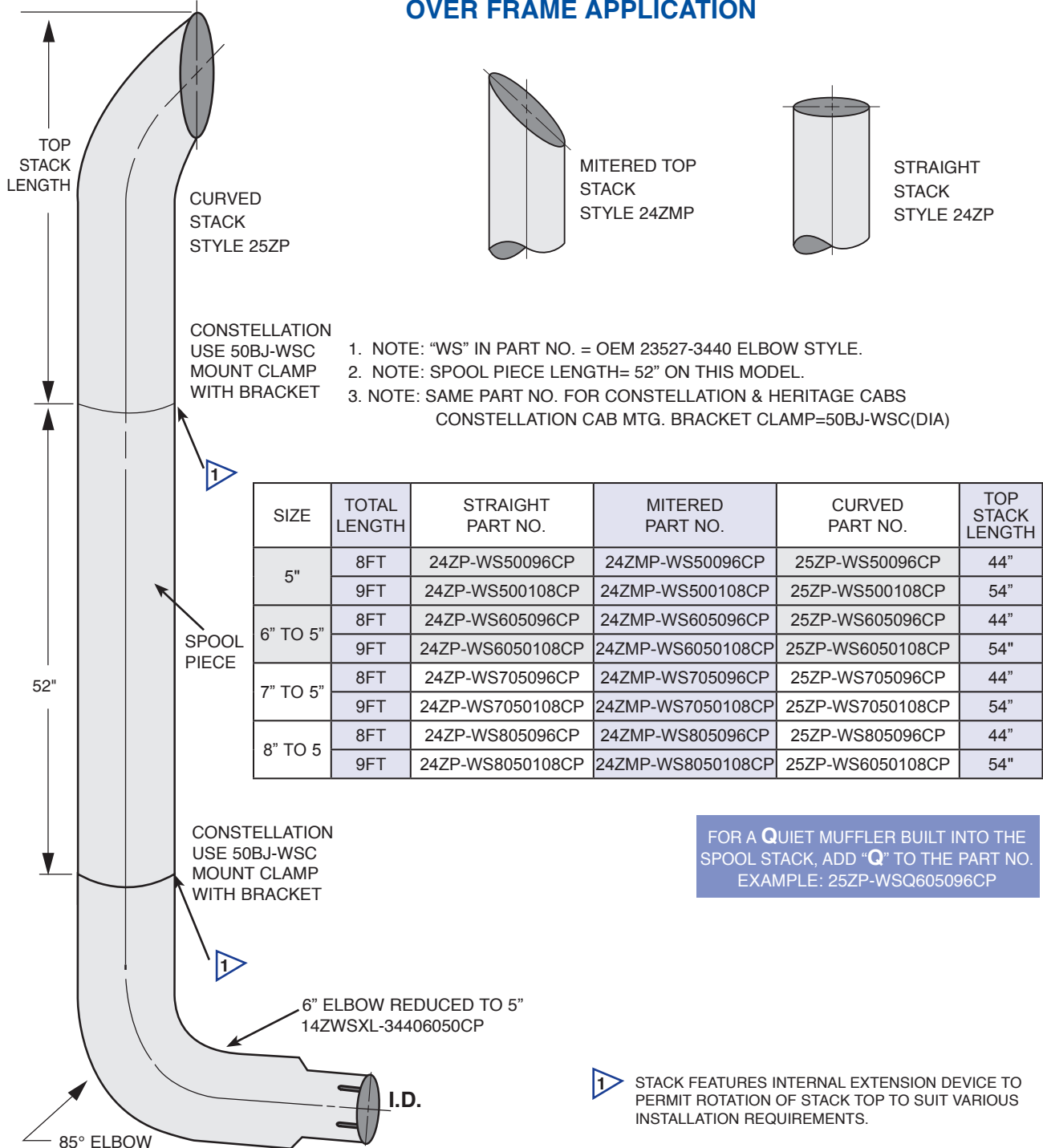
SIZE	KW : M66-1713RC DYNAFLEX: 14ZKWX-R1713CP	KW=M66-1271RC DYNAFLEX P.N. 14ZKWX-R1714CP	LOWER CLAMP
5"	14ZKWX-R1713CP	14ZKWX-R1714CP	50BJ-500SCP
6" to 5"	14ZKWX-R17136050CP	14ZKWX-R17146050CP	50BJ-600SCP
7" to 5"	14ZKWX-R17137050CP	14ZKWX-R17147050CP	50BJ-700SCP
8" to 5"	14ZKWX-R17138050CP	14ZKWX-R17148050CP	50BJ-800SCP

REPLACE "R" IN PART NO. WITH "L" FOR LEFT-HAND ELBOW.

## THREE PIECE Z SERIES STACKS 5" / 6" / 7" / 8"

### WESTERN STAR MONSTER STACKS WITH 85° ELBOW

1999 TO 2002 CONSTELLATION CAB  
1988 TO 1999 HERITAGE CAB  
OVER FRAME APPLICATION



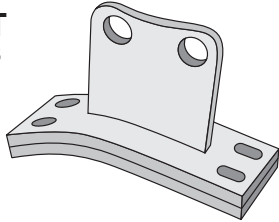
Patent Applied  
© Copyright 2012 Dynaflex Products

## PETERBILT UNIBUILT CAB REPLACEMENT BRACKET

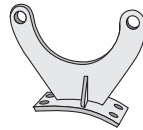
TO FIT 5", 6", 7" AND 8" STACKS

### CAB BRACKET 14PB-2998CP

**PETERBILT**  
OEM#14-12998

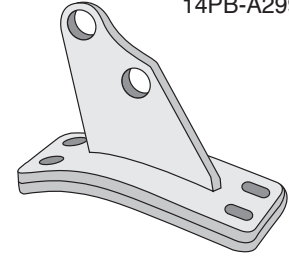


1995-1999 PETERBILT  
UNIBACKET TO CAB REPLACEMENT  
BRACKET TO FIT 6", 7" AND 8" STACKS  
3/16" RUBBER PAD INCLUDED



"REMOVE" PN14-14792"  
FROM CAB. USE BOLTS AND  
GROMMETS ON NEW BRACKET.

### ANGLE CAB BRACKET 14PB-A2998CP



1995-1999 PETERBILT  
UNIBACKET TO CAB REPLACEMENT  
BRACKET TO FIT 6", 7" AND 8" STACKS  
3/16" RUBBER PAD INCLUDED

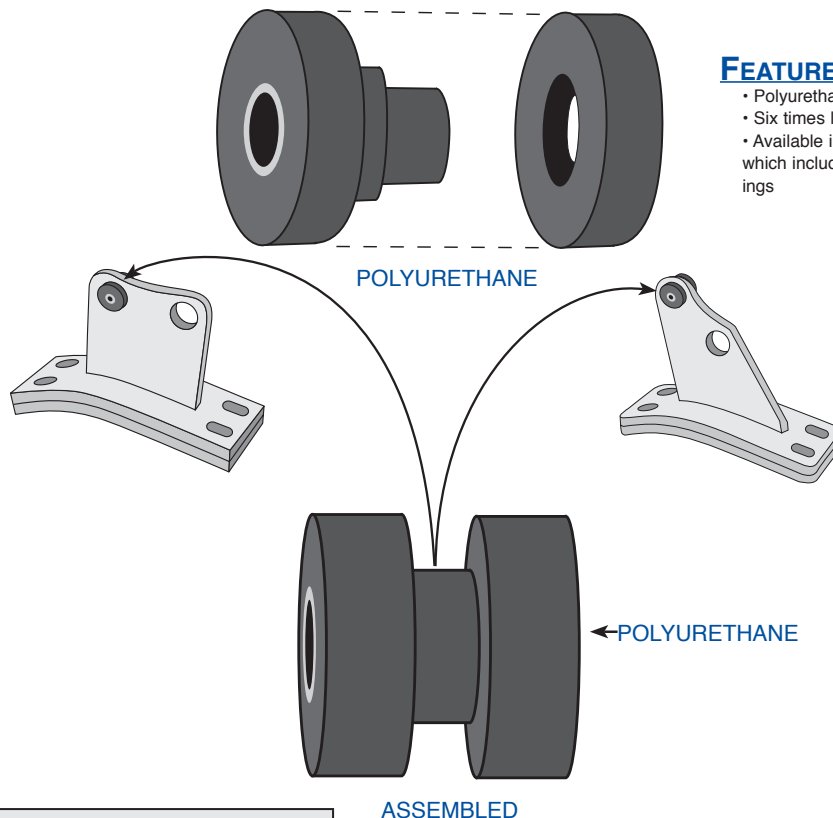
PART NO.	DESCRIPTION
14PB-2998SCP	CAB BRACKET

PART NO.	DESCRIPTION
14PB-A2998SCP	CAB BRACKET

THESE NEW CAB MOUNT BRACKETS REPLACE THE "HORSE-SHOE" BRACKET USED ON 1987 THROUGH 2006 PETERBILT TRUCKS.

## PETERBILT BUSHINGS

FOR CAB BRACKET TO STACK MOUNTING BRACKET CLAMPS



### FEATURES:

- Polyurethane Versus Rubber (O.E.)
- Six times longer service life
- Available in Tube Pack of 8 Pieces, which include 8 male & 8 female bushings

PART NO.	DESCRIPTION
14-B4656	POLYURETHANE BUSHING

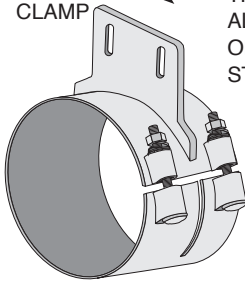
O.E. PETERBILT P.N.  
14-14656  
RUBBER



## PETERBILT CLAMPS WIDE BAND MOUNTING BRACKET CLAMPS

ESPECIALLY DESIGNED TO COVER THE SEAM LINE ON Z SERIES STACKS

BUTT JOINT CLAMP

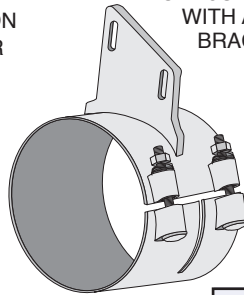


← THIS NEW BRACKET  
ALLOWS ANGULATION  
OF STACK TO CLEAR  
STEPS AND DOOR

FOR USE WITH SLIP-FIT  
MONSTER STACKS AND  
OTHER STRAIGHT STACKS

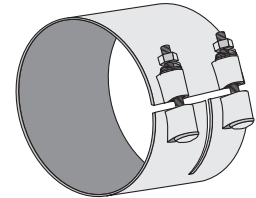
PETERBILT PN
50BJ-PB500SCP
50BJ-PB600SCP
50BJ-PB700SCP
50BJ-PB800SCP

BUTT JOINT CLAMP  
WITH ANGLE  
BRACKET



PETERBILT PN
50BJ-APB500SCP
50BJ-APB600SCP
50BJ-APB700SCP
50BJ-APB800SCP

BUTT JOINT CLAMP  
WITHOUT MOUNTING  
BRACKET

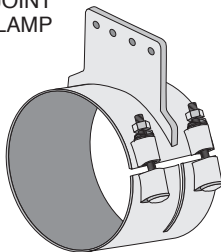


CLAMP I.D. SIZE	PART NO.
5"	50BJ-500SCP
6"	50BJ-600SCP
7"	50BJ-700SCP
8"	50BJ-800SCP

### KENWORTH WIDE A&B MODEL WIDE MOUNTING BRACKET CLAMP

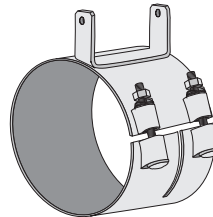
BUTT JOINT CLAMP

FOR USE WITH  
SLIP-FIT  
MONSTER  
STACKS  
AND OTHER  
STRAIGHT  
STACKS



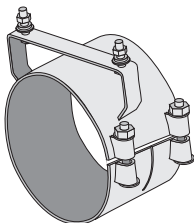
KENWORTH PN
50BJ-KW500SCP
50BJ-KW600SCP
50BJ-KW700SCP
50BJ-KW800SCP

BUTT JOINT  
TOP MOUNTING  
BRACKET CLAMP



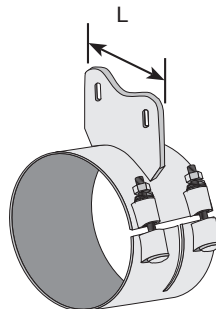
SIZE	PART NO.
5"	50BJ-KWW500SCP
6"	50BJ-KWW600SCP
7"	50BJ-KWW700SCP
8"	50BJ-KWW800SCP

### FREIGHTLINER/UNIVERSAL WIDE MOUNTING BRACKET CLAMP



BUTT JOINT  
UNIVERSAL MOUNTING  
BRACKET CLAMP  
MOUNTS DIRECTLY TO  
ORIGINAL CAB BRACKET.  
INTERCHANGEABLE  
WITH STANDARD U-BOLT  
SADDLE CLAMPS.

SIZE	PART NO.
5"	50BJ-UB500SCP
6"	50BJ-UB600SCP
7"	50BJ-UB700SCP
8"	50BJ-UB800SCP



BUTT JOINT CLAMP

TUBE DIA.	CLAMP P.N.	CLAMP P.N.
5"	50BJ-WSH500SCP	50BJ-WSC500SCP
6"	50BJ-WSH600SCP	50BJ-WSC600SCP
7"	50BJ-WSH700SCP	50BJ-WSC700SCP
8"	50BJ-WSH800SCP	50BJ-WSC800SCP

### KENWORTH AEROCAB W900L MODEL TOP

CHANGE "L" TO "R"-FOR RIGHT HAND CLAMP

Chrome Plated Mounting Bracket Clamp  
with welded nut for 5", 6" and 8" stacks

(OEM66-1005)  
(OEM66-1005R)

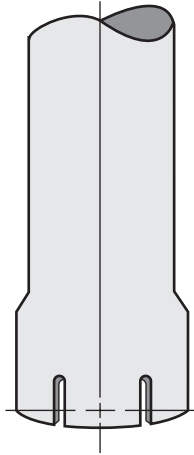
### WESTERN STAR WIDE MOUNTING BRACKET CLAMP

HERITAGE CAB  
L= 3 3/8

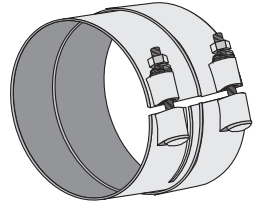
CONSTELLATION  
CAB  
L= 2 1/2

## WIDE BAND SOCKET CLAMPS

DESIGNED TO FIT OVER EXPANDED AND SLOTTED TUBE ENDS

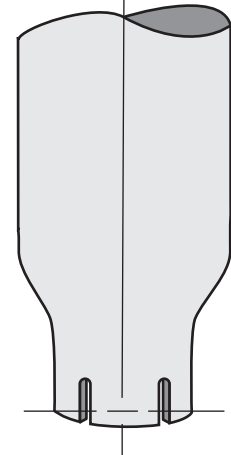


FOR USE ON  
TRADITIONAL  
EXPANDED  
& SLOTTED  
STACKS

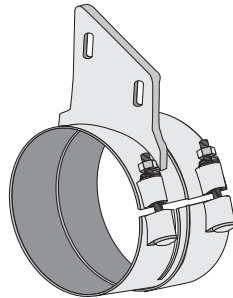


**PETERBILT  
SOCKET CLAMP**  
WITH ANGLE BRACKET

SIZE	PETERBILT P.N.
5"	50SJ-500-ISCP
5"	50SJ-500-2SCP
6"	50SJ-600-ISCP
6"	50SJ-600-2SCP

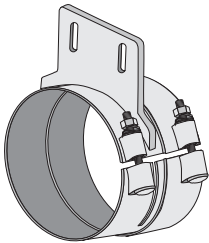


FOR USE ON  
87BC MUFFLER STACKS  
OR OTHER MUFFLERS.  
AND ANY CUSTOMER  
WHO RE-USES THEIR  
ORIGINAL ELBOWS.



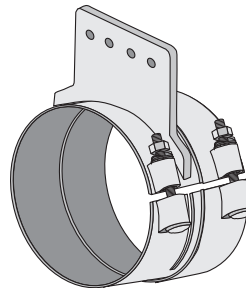
SIZE	PETERBILT P.N.
5"	50SJ-APB500-ISCP
5"	50SJ-APB500-2SCP
6"	50SJ-APB600-ISCP
6"	50SJ-APB600-2SCP

**PETERBILT  
SOCKET CLAMP**  
WITH MOUNTING BRACKET

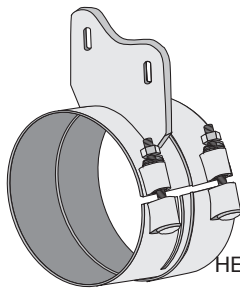


SIZE	PETERBILT P.N.
5"	50SJ-PB500-ISCP
5"	50SJ-PB500-2SCP
6"	50SJ-PB600-ISCP
6"	50SJ-PB600-2SCP

**KENWORTH  
SOCKET CLAMP**



SIZE	PETERBILT P.N.
5"	50SJ-KW500-ISCP
5"	50SJ-KW500-2SCP
6"	50SJ-KW600-ISCP
6"	50SJ-KW600-2SCP

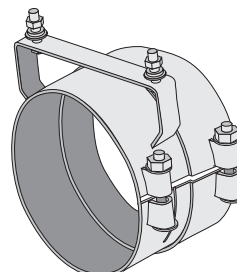


**WESTERN STAR  
SOCKET CLAMP**  
WITH MOUNTING  
BRACKET

HERITAGE CAB    CONSTELLATION CAB  
L=3 3/8            L=2 1/2

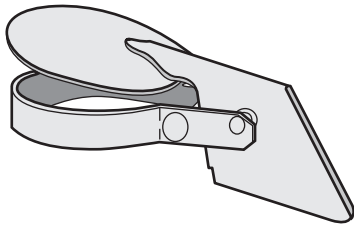
TUBE DIA.	CLAMP P.N.	CLAMP P.N.
5"	50SJ-WSH500-ISCP	50SJ-WSC500-ISCP
6"	50SJ-WSH600-ISCP	50SJ-WSC600-ISCP

**FREIGHTLINER  
SOCKET CLAMP**  
WITH UNIVERSAL BRACKET



SIZE	PETERBILT P.N.
5"	50SJ-UB500-ISCP
5"	50SJ-UB500-2SCP
6"	50SJ-UB600-ISCP
6"	50SJ-UB600-2SCP

## RAIN CAPS FOR STRAIGHT STACKS



**STYLE 27**  
STANDARD FINISH  
ZINC PLATED

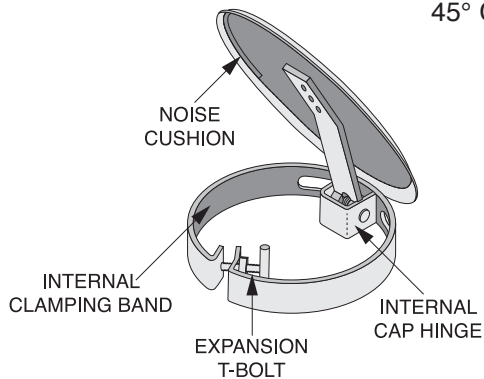
ALTERNATE MATERIAL:  
ADD CP FOR CHROME PLATE

EXAMPLE:  
27-400CP

SIZE	PART NO.
1 1/4"	27-125Z
1 1/2"	27-150Z
1 3/4"	27-175Z
2"	27-200Z
2 1/4"	27-225Z
2 1/2"	27-250Z
2 3/4"	27-275Z
3"	27-300Z
3 1/2"	27-350Z
4"	27-400Z
4 1/2"	27-450Z
5"	27-500Z
5 1/2"	27-550Z
6"	27-600Z
6 1/2"	27-650Z

## 45° RAIN CAPS

45° CAP FOR MITERED STACKS



STANDARD MATERIAL CARBON  
STEEL CHROME PLATED

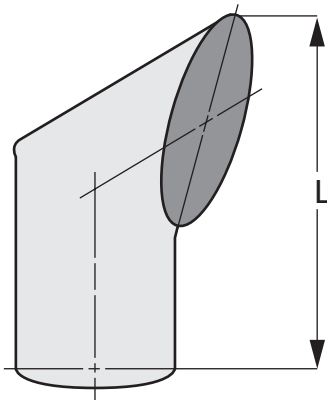
SIZE	PART NO.
5"	28QT-500CP
6"	28QT-600CP
7"	28QT-700CP
8"	28QT-800CP



**PATENT APPLIED**

## STACK CAPS

TO FIT OVER EXISTING EXHAUST STACKS



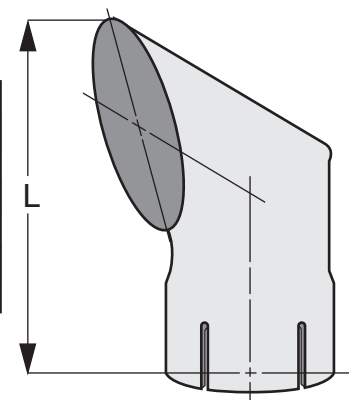
**STYLE 29P**  
PLAIN END

STANDARD MATERIAL CARBON STEEL

SIZE	PART NO.	L
3"	29-300	8"
3 1/2"	29-350	8"
4"	29-400	9"
5"	29-500	10 1/2"
6"	29-600	12"
8"	29-800	17"

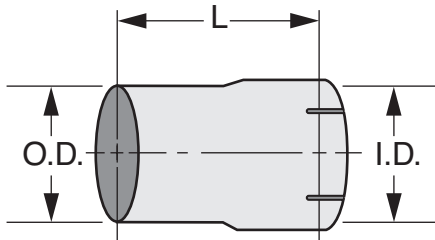
ALTERNATE MATERIALS:  
ADD CP FOR CHROME PLATE  
ADD AZ FOR ALUMINIZED

EXAMPLES:  
29-400CP  
29-400AZ



**STYLE 29**  
EXPANDED &  
SLOTTED END

## FLEX HOSE COUPLERS



STANDARD MATERIAL CARBON STEEL

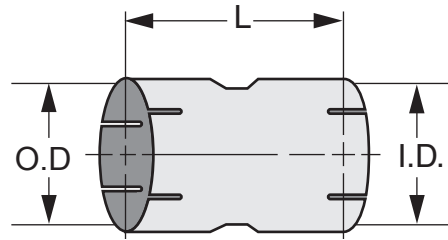
SIZE	PART NO.	L
2"	31-200	4 1/2"
2 1/2"	31-250	4 1/2"
3"	31-300	5"
3"	31L-300	6 1/2"
3 1/2"	31-350	5 1/2"
3 1/2"	31L-350	7"
4"	31-400	6"
4"	31L-400	7 1/2"
5"	31-500	6"
5"	31L-500	7 1/2"
5 1/2"	31-550	6"
6"	31-600	6"

ALTERNATE MATERIALS:  
 ADD CP FOR CHROME PLATE  
 ADD AZ FOR ALUMINIZED (3" - 5" ONLY)  
 ADD S FOR STAINLESS STEEL

EXAMPLES:  
 31-400CP  
 31-400AZ  
 31-400S

FITS I.D. AND O.D. TUBING

## STRAIGHT TUBE COUPLERS



STANDARD MATERIAL CARBON STEEL

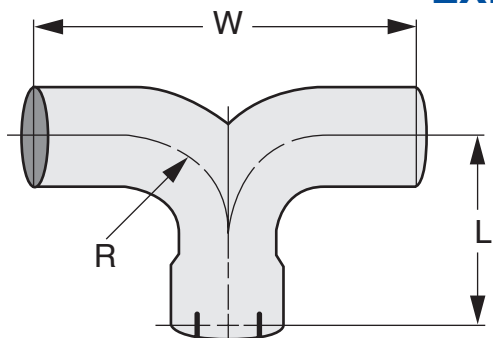
SIZE	PART NO.	L
2"	32-200	4 1/2"
2 1/2"	32-250	4 1/2"
3"	32-300	5"
3"	32L-300	6 1/2"
3 1/2"	32-350	5 1/2"
3 1/2"	32L-350	7"
4"	32-400	6 1/2"
4"	32L-400	8"
5"	32-500	6 1/2"
5"	32L-500	8"
5 1/2"	32-550	6 1/2"
6"	32-600	6 1/2"
6"	32L-600	8"

ALTERNATE MATERIALS:  
 ADD CP FOR CHROME PLATE  
 ADD AZ FOR ALUMINIZED (3" - 5" ONLY)  
 ADD S FOR STAINLESS STEEL

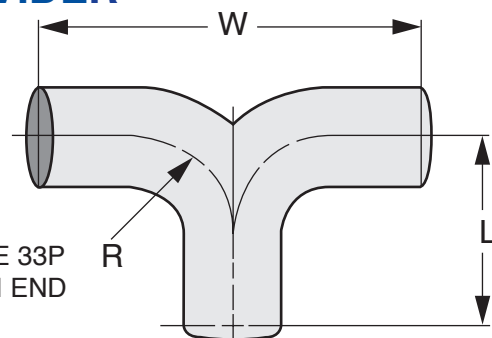
EXAMPLES:  
 32-400CP  
 32-400AZ  
 32-400S

CONNECTOR FITS O.D. TUBING

## EXHAUST Y-DIVIDER



STYLE 33  
 EXPANDED &  
 SLOTTED END



STYLE 33P  
 PLAIN END

STANDARD MATERIAL COLD ROLLED ALUMINUM KILLED STEEL

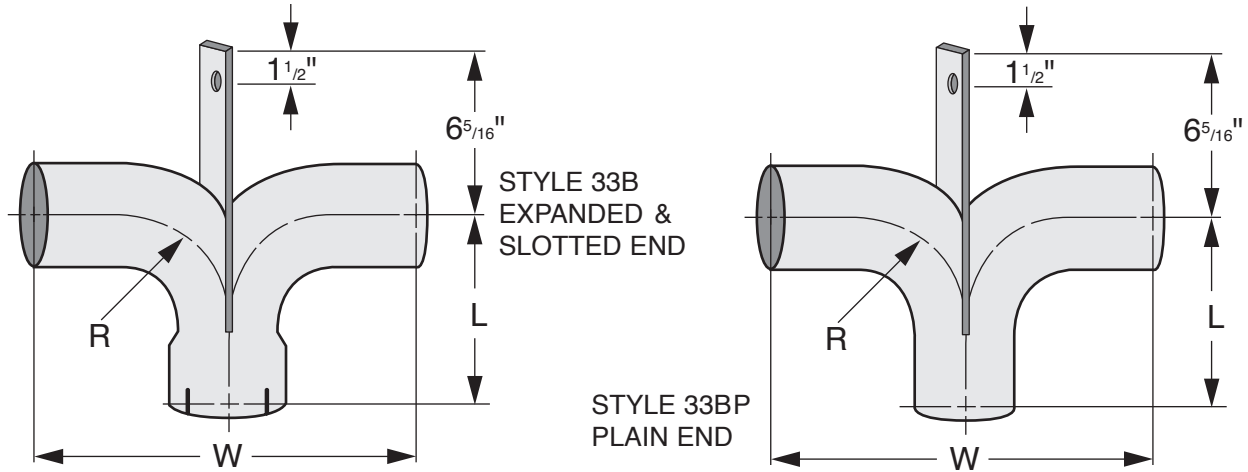
USED TO CONVERT SINGLE EXHAUST ENGINE TO A DUAL EXHAUST SYSTEM

SIZE	PART NO.	L	W	R	PART NO.
2"	33-200	4"	9"	2"	33P-200
2 1/2"	33-250	4 1/2"	10"	2 1/2"	33P-250
3"	33-300	5 1/2"	11"	3"	33P-300
3 1/2"	33-350	6 1/2"	13"	3 1/2"	33P-350
4"	33-400	7 1/2"	15"	4"	33P-400
4"	33L-400	12"	24"	4"	33PL-400
5"	33-500	9"	18"	5"	33P-500
5"	33L-500	15"	30"	5"	33PL-500
6"	33-600	11"	22"	6"	33P-600

ALTERNATE MATERIALS: ADD CP FOR CHROME PLATE

33-400CP

## EXHAUST Y-DIVIDER WITH MOUNTING BRACKET



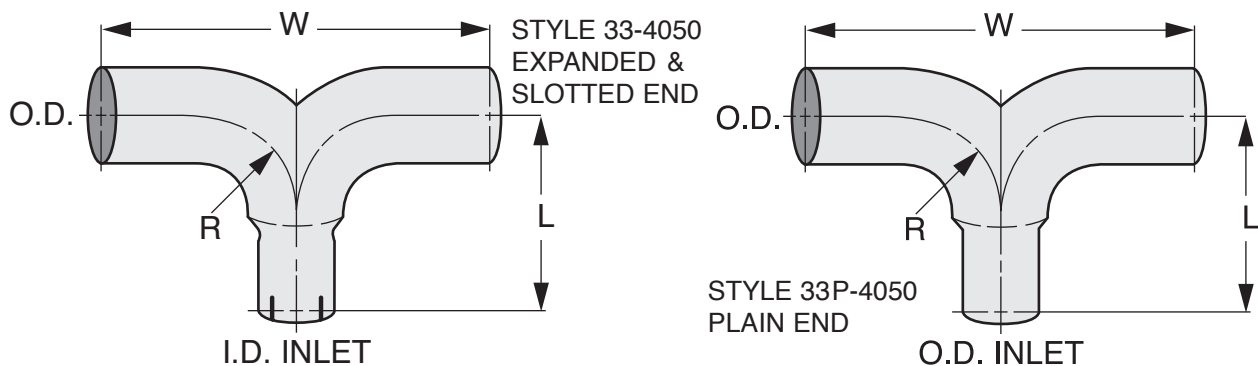
STANDARD MATERIAL COLD ROLLED ALUMINUM KILLED STEEL  
USED TO CONVERT SINGLE EXHAUST ENGINE TO A DUAL EXHAUST SYSTEM

SIZE	PART NO.	L	W	R	PART NO.
4"	33B-400	7 1/2"	15"	4"	33BP-400
4"	33BL-400	12"	24"	4"	33BPL-400
5"	33B-500	9"	18"	5"	33BP-500
5"	33BL-500	15"	30"	5"	33BPL-500

ALTERNATE MATERIAL:  
ADD CP FOR CHROME PLATE

EXAMPLE:  
33B-400CP

## EXHAUST Y-DIVIDER EXPANDED ADAPTOR



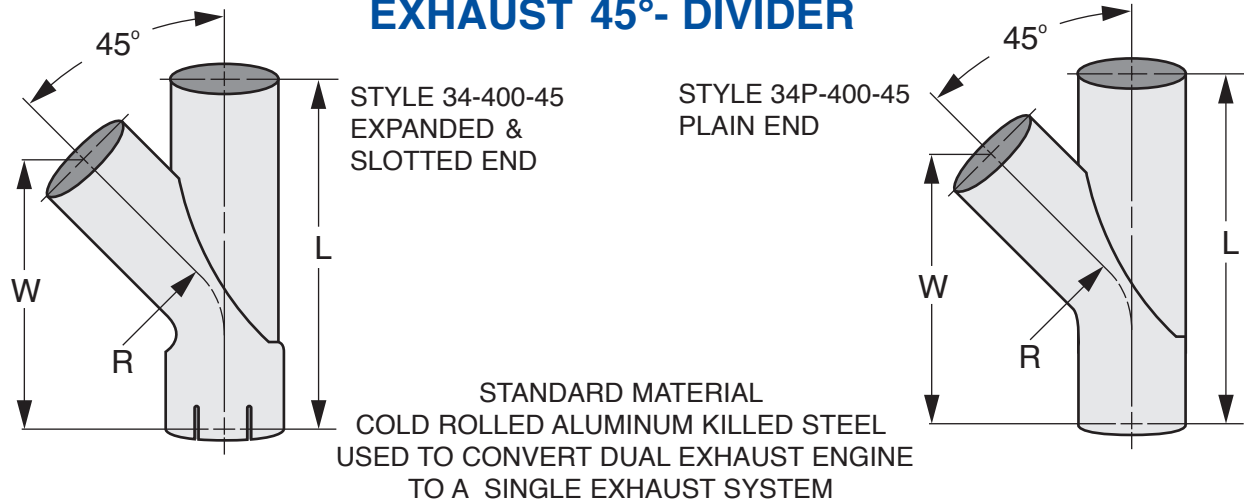
STANDARD MATERIAL COLD ROLLED ALUMINUM KILLED STEEL  
USED TO CONVERT SINGLE EXHAUST ENGINE TO A DUAL EXHAUST SYSTEM

SIZE	PART NO.	INLET	OUTLET	L	W	R	PART NO.
3" - 4"	33-3040	3"	4"	7 1/2"	15"	4"	33P-3040
3 1/2" - 4"	33-3540	3 1/2"	4"	7 1/2"	15"	4"	33P-3540
4" - 5"	33-4050	4"	5"	9"	18"	5"	33P-4050
5" - 6"	33-5060	5"	6"	10 1/2"	22"	6"	33P-5060

ALTERNATE MATERIAL:  
ADD CP FOR CHROME PLATE

EXAMPLE:  
33P-3040CP

## EXHAUST 45°- DIVIDER

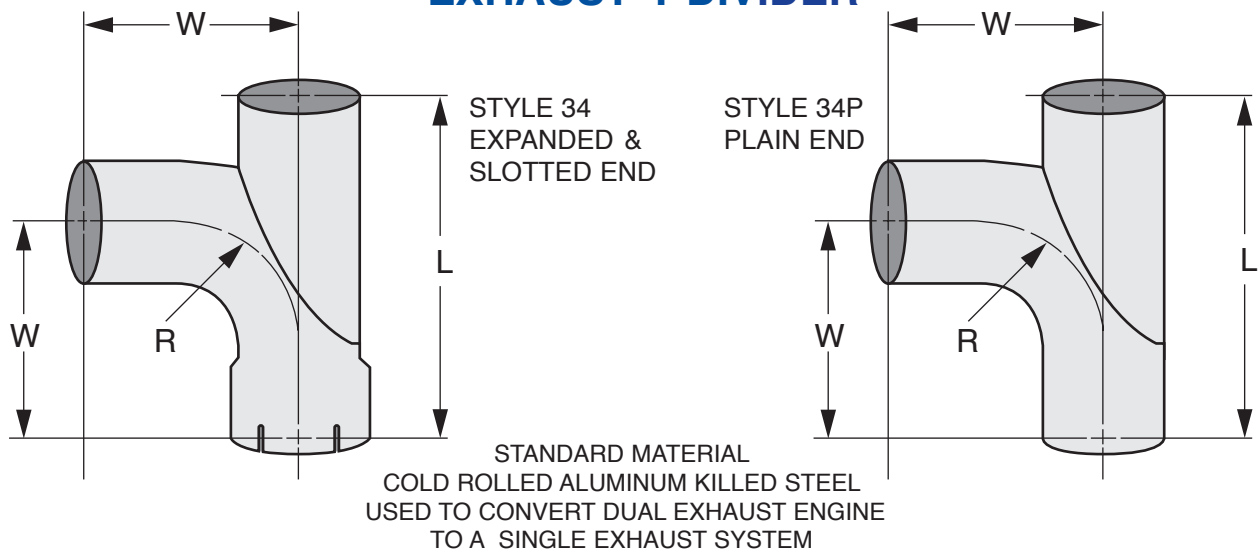


SIZE	PART NO.	L	W	R	PART NO.
4"	34-400-45	13"	10"	4"	34P-400-45
4"	34L-400-45	16"	12"	5"	34PL-400-45
5"	34-500-45	13"	10"	4"	34P-500-45
5"	34L-500-45	16"	12"	5"	34PL-500-45

ALTERNATE MATERIALS:  
ADD CP FOR CHROME PLATE  
ADD AZ FOR ALUMINIZED

EXAMPLES:  
34P-400-45CP  
34P-400-45AZ

## EXHAUST T-DIVIDER

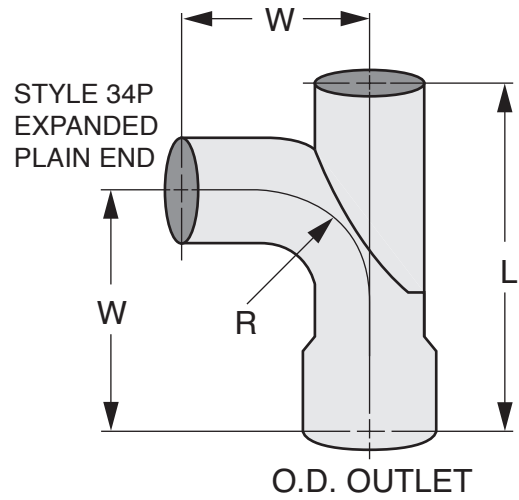
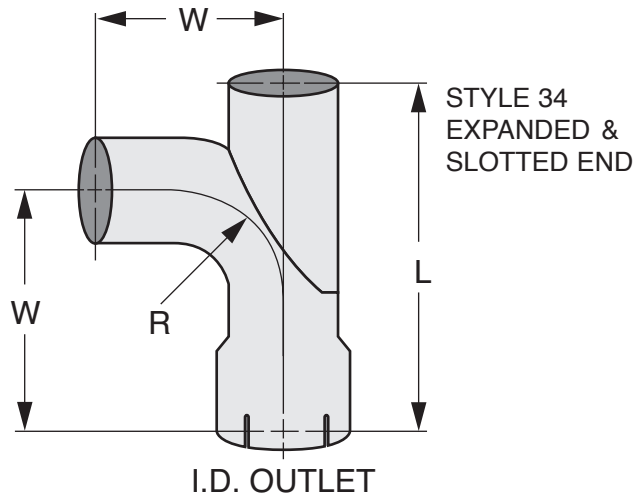


SIZE	PART NO.	L	W	R	PART NO.
3"	34-300	8½"	5½"	3"	34P-300
3½"	34-350	10"	6½"	3½"	34P-350
4"	34-400	11½"	7½"	4"	34P-400
5"	34-500	14"	9"	5"	34P-500
6"	34-600	21"	11"	6"	34P-600

ALTERNATE MATERIALS:  
ADD CP FOR CHROME PLATE  
ADD AZ FOR ALUMINIZED

EXAMPLES:  
34-400CP  
34-400AZ

## EXHAUST T-DIVIDER EXPANDED ADAPTOR



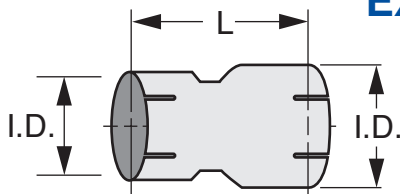
STANDARD MATERIAL COLD ROLLED ALUMINUM KILLED STEEL  
USED TO CONVERT DUAL EXHAUST ENGINE TO A SINGLE EXHAUST SYSTEM

SIZE	PART NO.	L	W	R	PART NO.
3" - 4"	34-3040	9"	6"	3"	34P-3040
3½" - 4"	34-3540	10"	6½"	3½"	34P-3540
4" - 5"	34-4050	11"	7"	4"	34P-4050
5" - 6"	34-5060	13½"	8½"	5"	34P-5060

ALTERNATE MATERIAL:  
ADD CP FOR CHROME PLATE  
ADD AZ FOR ALUMINIZED

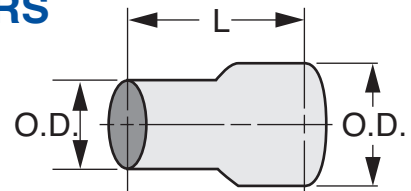
EXAMPLE:  
34P-3040CP  
34P-3040AZ

## EXPANDERS – REDUCERS



STYLE 35  
BOTH ENDS  
EXPANDED & SLOTTED

REDUCER FITS  
O.D. TUBING



STYLE 35P  
PLAIN END

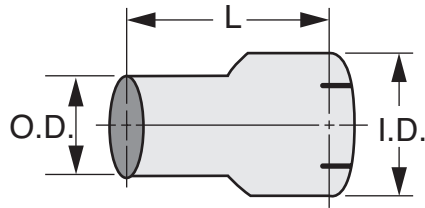
STANDARD MATERIAL CARBON STEEL

SIZE	PART NO.	L	PART NO.
2" -2¼"	35-2022	6"	35P-2022
2" -2½"	35-2025	6"	35P-2025
2½" -3"	35-2530	6"	35P-2530
3" -3½"	35-3035	6"	35P-3035
3" -4"	35-3040	6½"	35P-3040
3½" -4"	35-3540	6"	35P-3540
3½" -4½"	35-3545	7"	35P-3545
3½" -5"	35-3550	8"	35P-3550
4" -4½"	35-4045	6½"	35P-4045
4" -5"	35-4050	8"	35P-4050
5" -5½"	35-5055	6½"	35P-5055
5" -6"	35-5060	8"	35P-5060

ALTERNATE MATERIALS:  
ADD CP FOR CHROME PLATE  
ADD AZ FOR ALUMINIZED (3" - 5" ONLY)  
ADD S FOR STAINLESS STEEL

EXAMPLES:  
35-2022CP  
35-3030AZ  
35-3035S

## EXPANDERS



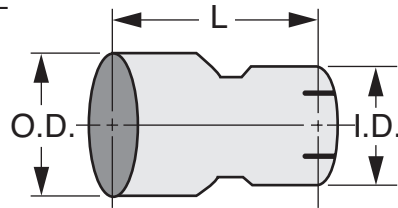
STANDARD MATERIAL  
CARBON STEEL

STYLE 36  
SMALL END: PLAIN  
LARGE END: EXPANDED & SLOTTED

SIZE	PART NO.	L
2" -2 <sup>1</sup> / <sub>4</sub> "	36-2022	6"
2" -2 <sup>1</sup> / <sub>2</sub> "	36-2025	6"
2 <sup>1</sup> / <sub>2</sub> " -3"	36-2530	6"
3" -3 <sup>1</sup> / <sub>2</sub> "	36-3035	6"
3" -4"	36-3040	6 <sup>1</sup> / <sub>2</sub> "
3 <sup>1</sup> / <sub>2</sub> " -4"	36-3540	6"
3 <sup>1</sup> / <sub>2</sub> " -4 <sup>1</sup> / <sub>2</sub> "	36-3545	7"
3 <sup>1</sup> / <sub>2</sub> " -5"	36-3550	8"
4" -4 <sup>1</sup> / <sub>2</sub> "	36-4045	6 <sup>1</sup> / <sub>2</sub> "
4" -5"	36-4050	8"
4 <sup>1</sup> / <sub>2</sub> " -5"	36-4550	8"
5" -5 <sup>1</sup> / <sub>2</sub> "	36-5055	6 <sup>1</sup> / <sub>2</sub> "
5" -6"	36-5060	8"

ALTERNATE MATERIALS:  
ADD CP FOR CHROME PLATE  
ADD AZ FOR ALUMINIZED (3"-3<sup>1</sup>/<sub>2</sub>" to 5"-6" ONLY)  
ADD S FOR STAINLESS STEEL

## REDUCERS



STYLE 37  
LARGE END: PLAIN  
SMALL END: EXPANDED & SLOTTED

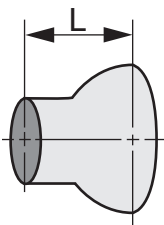
SIZE	PART NO.	L
2 <sup>1</sup> / <sub>4</sub> " -2"	37-2220	6"
2 <sup>1</sup> / <sub>2</sub> " -2"	37-2520	6"
3" -2 <sup>1</sup> / <sub>2</sub> "	37-3025	6"
3 <sup>1</sup> / <sub>2</sub> " -3"	37-3530	6"
4" -3"	37-4030	6 <sup>1</sup> / <sub>2</sub> "
4" -3 <sup>1</sup> / <sub>2</sub> "	37-4035	6"
4 <sup>1</sup> / <sub>2</sub> " -3 <sup>1</sup> / <sub>2</sub> "	37-4535	7"
5" -3 <sup>1</sup> / <sub>2</sub> "	37-5035	8"
4 <sup>1</sup> / <sub>2</sub> " -4"	37-4540	6 <sup>1</sup> / <sub>2</sub> "
5" -4"	37-5040	8"
5" -4 <sup>1</sup> / <sub>2</sub> "	37-5045	8"
5 <sup>1</sup> / <sub>2</sub> " -5"	37-5550	6 <sup>1</sup> / <sub>2</sub> "
6" -5"	37-6050	8"

EXAMPLES:  
36-2022CP  
36-3035AZ  
36-3035S

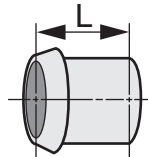
Reducer FITS  
I.D. AND O.D.  
TUBING

## TILT CAB CONNECTORS

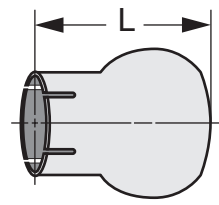
STANDARD MATERIAL CARBON STEEL



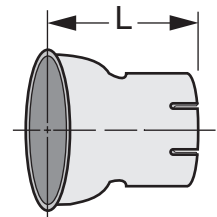
STYLE 38  
TOP WITH  
WEAR PLATE



STYLE 39  
BOTTOM WITH  
WEAR PLATE



STYLE 39  
BALL TYPE  
BOTTOM



STYLE 38  
FORMED TOP

SIZE	TOP PART NO.	L	BOTTOM PART NO.	L
4" TOP	38-400	4 <sup>1</sup> / <sub>2</sub> "	39-400	4 <sup>1</sup> / <sub>2</sub> "
	38P-400	4 <sup>1</sup> / <sub>2</sub> "	39P-400	4 <sup>1</sup> / <sub>2</sub> "
	38L-400	8"	39L-400	8"
	38PL-400	8"	39PL-400	8"
5" TOP	38-500	5"	39-500	5"
	38P-500	5"	39P-500	5"
	38L-500	9"	39L-500	9"
	38PL-500	9"	39PL-500	9"

ALTERNATE MATERIALS:  
ADD CP FOR CHROME PLATE  
ADD AZ FOR ALUMINIZED

EXAMPLES:  
38-400CP  
38-400AZ

STYLE "P" INDICATES PLAIN (O.D.) ENDS  
STYLE "L" INDICATES LONG LENGTHS

SIZE	PART NO.	L
4" TOP	38-401	5 <sup>3</sup> / <sub>4</sub> "
	38P-401	5 <sup>3</sup> / <sub>4</sub> "
5" TOP	38-501	5 <sup>3</sup> / <sub>4</sub> "
	38P-501	5 <sup>3</sup> / <sub>4</sub> "
4" BOTTOM	39-401	3 <sup>3</sup> / <sub>4</sub> "
5" BOTTOM	39-501	6.20"

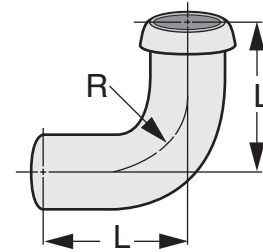
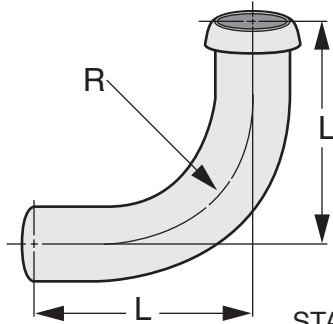
ALTERNATE MATERIALS:  
ADD CP FOR CHROME PLATE  
ADD E FOR EXPANDED END

EXAMPLES:  
38-401CP  
38-401E



## TILT CAB CONNECTOR WITH 90° ELBOWS

BOTTOM WITH WEAR PLATE



STANDARD MATERIAL CARBON STEEL  
STYLE "P" INDICATES PLAIN (O.D.) ENDS

STANDARD RADIUS 90° ELBOW

SIZE	PART NO.	L
4"	39-400-10	11½"
4"	39P-400-10	11½"
5"	39-500-10	14"
5"	39P-500-10	14"

ALTERNATE MATERIALS:  
ADD CP FOR CHROME PLATE  
ADD AZ FOR ALUMINIZED

EXAMPLES:  
39-400-10CP  
39-400-10AZ

SHORT RADIUS 90° ELBOW

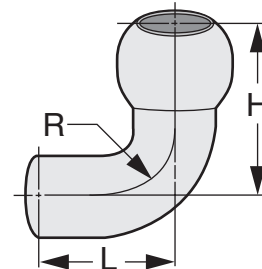
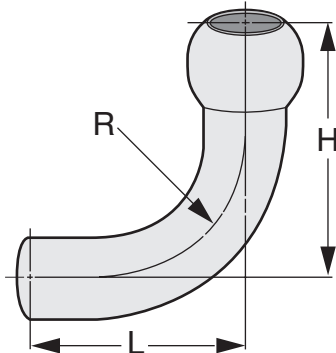
SIZE	PART NO.	L
4"	39-400-11	7½"
4"	39P-400-11	7½"
5"	39-500-11	9"
5"	39P-500-11	9"

ALTERNATE MATERIALS:  
ADD CP FOR CHROME PLATE  
ADD AZ FOR ALUMINIZED

EXAMPLES:  
39-400-11CP  
39-400-11AZ

## TILT CAB CONNECTOR WITH 90° ELBOWS

BALL TYPE BOTTOM



STANDARD MATERIAL CARBON STEEL  
STYLE "P" INDICATES PLAIN (O.D.) END

STANDARD RADIUS 90° ELBOW

SIZE	PART NO.	L	H
4"	39-401-10	11½"	12¼"
4"	39P-401-10	11½"	12¼"
5"	39-501-10	14"	16½"
5"	39P-501-10	14"	16½"

ALTERNATE MATERIALS:  
ADD CP FOR CHROME PLATE  
ADD AZ FOR ALUMINIZED

EXAMPLES:  
39-401-10CP  
39-401-10AZ

SHORT RADIUS 90° ELBOW

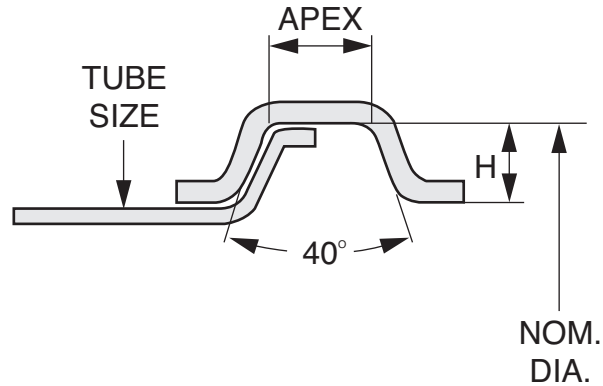
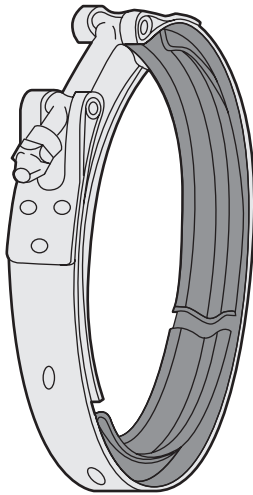
SIZE	PART NO.	L	H
4"	39-401-11	7½"	8¼"
4"	39P-401-11	7½"	8¼"
5"	39-501-11	9"	11½"
5"	39P-501-11	9"	11½"

ALTERNATE MATERIALS:  
ADD CP FOR CHROME PLATE  
ADD AZ FOR ALUMINIZED

EXAMPLES:  
39-401-11CP  
39-401-11AZ

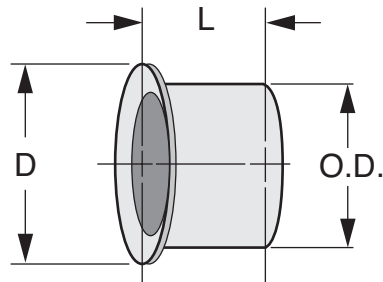
## V-BAND MANIFOLD CLAMPS

STAINLESS STEEL V-BAND CLAMPS  
FOR USE WITH FLANGES



TUBE SIZE	DYNAFLEX PART NO.	USED ON MANIFOLD OR TURBOCHARGER	OEM PART NO.	APEX	NOM. DIA.	H
2"	40-220S	DETROIT - 8.2 LITER	8920206	.207	2.88	.27
3"	40-300-1S	FORD MOTOR	D9HT5C210-D A	.425	3.87	.31
			D9H Z5A231-J			
2 <sup>3</sup> / <sub>4</sub> "	41-275-2S	CUMMINS B		.262	3.22	.28
3"	40-300S	DETROIT DIESEL - 6V71, 6V53, 6V92, 8V92	5137620	.207	3.82	.28
3"	41-300S	CUMMINS - V55, V903	183670	.400	3.88	.28
3"	41-300-1S	CUMMINS (CROSS OVER PIPE) - V903	3007219	.400	3.88	.28
3 <sup>3</sup> / <sub>8</sub> "	41-338S	GMC/DETROIT - 8.2N	2069773	.239	4.06	.29
		FORD MOTOR	EOHT5A281-B A			
3 <sup>1</sup> / <sub>2</sub> "	40-350S	DETROIT DIESEL - 8V92, 4-53, 8V71	5137619	.207	4.50	.28
3 <sup>1</sup> / <sub>2</sub> "	40-350-1S	CATERPILLAR TRACTOR - 3208T	IW5455	.400	4.19	.28
3 <sup>1</sup> / <sub>2</sub> "	40-350-2S	CUMMINS MANIFOLD - VT-555	102408	.400	4.25	.28
3 <sup>1</sup> / <sub>2</sub> "	40-350-3S	GMC DIESEL	2032896	.262	4.12	.14
		DETROIT DIESEL	5103434			
4"	40-400-2S	CUMMINS L10 ENGINE	115774	.406	4.75	.28
4"	40-400S	DETROIT DIESEL - 6-71, 12V 71	5138363	.207	4.81	.28
4"	40-400-1S	MACK	11ME29	.181	4.94	.28
4"	41-400S	SCHWITZER TURBO - 4LF	154977	.156	4.61	.10
		AIRESEARCH TURBO - TE0699	48R U2341 MACK			
4 <sup>1</sup> / <sub>2</sub> "	41-450S	AIRESEARCH TURBO - T1899, TH08A64	5132650 D.D.-GMC	.262	5.25	.14
5"	40-500S	CUMMINS TURBO - V150, VT50	186917	.400	5.88	.28
5"	41-500S	CATERPILLAR TURBO	5L7631	.262	5.65	.14
5"	40-500-1S	DETROIT DIESEL	5148101	.280	5.92	.30
			48R N19326 MACK			
6"	40-600S	CUMMINS VTA903	3016306	.400	6.88	.30
4"	41-400-1S	DETROIT 8.2T / GMC TRUCK	2058726	.158	4.75	.31
		DETROIT 8.2T / FORD MOTOR	EOHT-5A281-D A			
5"	40-500-2S	CUMMINS (5 <sup>1</sup> / <sub>2</sub> " I.D.)	201989	.262	5.30	.14

## FLARED FLANGES FOR MANIFOLD CONNECTION



STYLE 42P  
STANDARD TUBE  
O.D. FLANGE

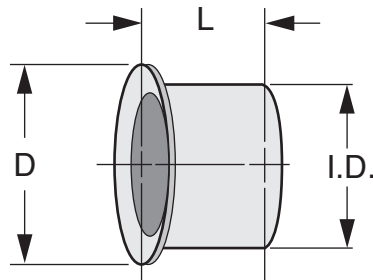
### STANDARD MATERIAL CARBON STEEL

FLARE	PART NO.	O.D.	D	L	GAUGE	USED ON	USE V-CLAMP
20°	42P-300	3"	3½"	3½"	.063	DIESEL MANIFOLD	40-300S
	42HP-300	3"	3½"	3½"	.083	DETROIT DIESEL	40-300S
	42P-350	3½"	4"	3½"	.063	CAT 3208-T	40-350-1S
	42P-400	4"	4⅝"	3½"	.063	D D 8.2T	41-400-1S
	42P-500	5"	5¾"	3"	.063	T-50 TURBO	40-500S
	42P-500-1	5"	5½"	5"	.063	CUMMINS	41-500S
	42P-600	6"	6¾"	3"	.063	DIESEL MANIFOLD	40-600S

ALTERNATE MATERIALS:  
ADD AZ FOR ALUMINIZED (3" - 5" ONLY)  
ADD S FOR STAINLESS STEEL

EXAMPLES:  
42P-400AZ  
42P-400S

## FLARED FLANGES FOR MANIFOLD CONNECTION



STYLE 42  
STANDARD TUBE  
I.D. FLANGE

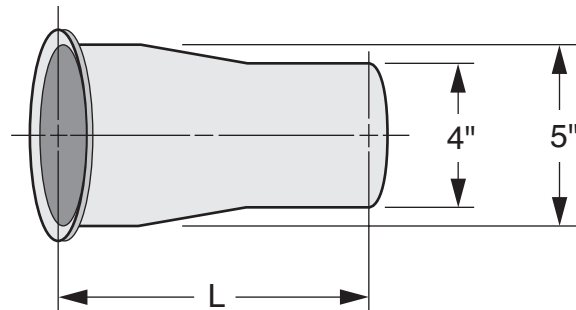
### STANDARD MATERIAL CARBON STEEL

FLARE	PART NO.	I.D.	D	L	GAUGE	USED	USE V-CLAMP
20°	42-300	3"	3⅝"	1½"	.063	DIESEL MANIFOLD	40-300S
	42-350	3½"	4¼"	1½"	.063	DIESEL MANIFOLD	40-350S
	42-400	4"	4⅝"	1½"	.063	DIESEL MANIFOLD	41-400-1S
	42-500	5"	5¾"	3"	.063	DIESEL MANIFOLD	40-500S
	42-600	6"	6¾"	3"	.063	DIESEL MANIFOLD	40-600S
	42H -300	3"	3⅝"	1½"	.083	DIESEL MANIFOLD	40-300S
20°	42L-300	3"	3⅝"	3"	.063	DIESEL MANIFOLD	40-300S
	42L-350	3½"	4¼"	3"	.063	DIESEL MANIFOLD	40-350S
	42L-400	4"	4⅝"	3"	.063	DIESEL MANIFOLD	40-400S
	42HL -300	3"	3⅝"	3"	.083	DIESEL MANIFOLD	40-300S

ALTERNATE MATERIALS:  
ADD AZ FOR ALUMINIZED (3" - 5" ONLY)  
ADD S FOR STAINLESS STEEL

EXAMPLES:  
42-500AZ  
42-500S

## FLARED FLANGES



STYLE 42-4050  
T-50 TURBO  
ADAPTOR

### STANDARD MATERIAL CARBON STEEL

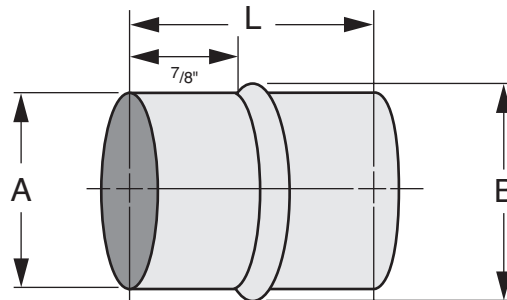
FLARE	PART NO.	O.D.	L	GAUGE	USED ON	USE V-CLAMP
20°	42P-4050	4" - 5"	8"	.063	T-50 TURBO	40-500S

ALTERNATE MATERIALS:  
ADD AZ FOR ALUMINIZED  
ADD S FOR STAINLESS STEEL

EXAMPLES:  
42P-4050AZ  
42P-4050S

## BEADED ADAPTOR

CONNECTS FLEXIBLE TUBING



STYLE 42B  
BEADED  
ADAPTOR

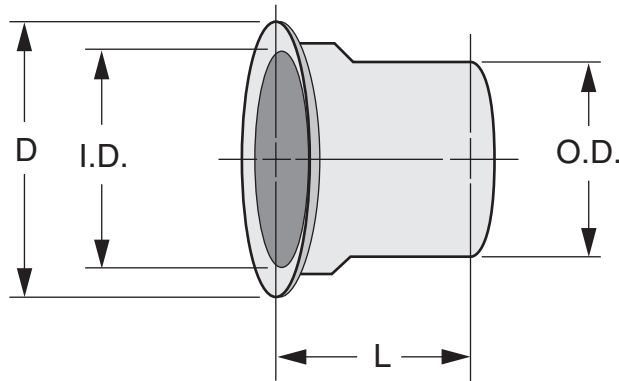
### STANDARD MATERIAL CARBON STEEL

PART NO.	A	B	L	FLANGE PART NO.	USE V-CLAMP
42B-300	3"	3.72"	4 <sup>3</sup> / <sub>4</sub> "	42R-300	40-400S
42B-350	3 <sup>1</sup> / <sub>2</sub> "	4.22"	4 <sup>3</sup> / <sub>4</sub> "	42R-350	40-400S
42B-400	4"	4.72"	4 <sup>3</sup> / <sub>4</sub> "	42R-400	40-400S
42B-500	5"	5.72"	4 <sup>3</sup> / <sub>4</sub> "	42R-500	40-400S

ALTERNATE MATERIAL:  
ADD AZ FOR ALUMINIZED

EXAMPLE:  
42B-500AZ

## SPECIAL FLANGES



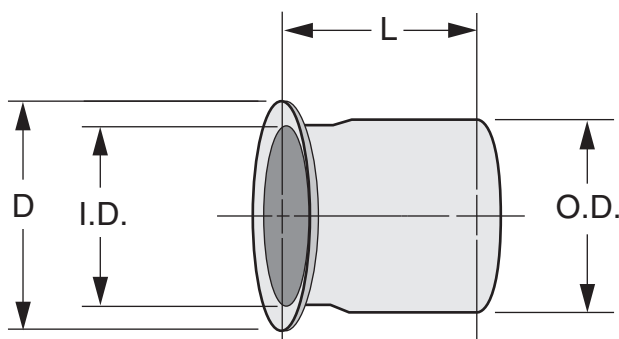
STANDARD MATERIAL CARBON STEEL

FLARE	PART NO.	O.D.	I.D.	D	L	USED ON	USE V-CLAMP
20°	42R-300	3"	3"	3.70"	4¾"	D D-6V-71	40-300S OR 78-300
	42R-350	3½"	3½"	4.20"	4¾"	D D-8V-71	40-350S OR 78-350
	42R-400	4"	4"	4.70"	4¾"	D D-6-71 & 12V-71	40-400S OR 78-400
	42R-500	5"	5"	5.70"	4¾"	D D-5140347	40-500S
20°	42R-300-45	3"	3"	3.70"	4¾"	D D-6V-71	40-300S
	42R-350-45	3½"	3½"	4.20"	4¾"	D D-8V-71	40-350S
	42R-400-45	4"	4"	4.70"	4¾"	DIESEL MANIFOLD	78-400-1
	42R-500-45	5"	5"	5.70"	4¾"	DIESEL MANIFOLD	78-500-1

ALTERNATE MATERIALS:  
ADD AZ FOR ALUMINIZED  
ADD S FOR STAINLESS STEEL

EXAMPLES:  
42R-300AZ  
42R-300-45S

## SPECIAL FLANGES



STANDARD MATERIAL CARBON STEEL

FLARE	PART NO.	O.D.	I.D.	D	L	USED ON	USE V-CLAMP
20°	42EL-4029	4"	2⅞"	3 <sup>15</sup> / <sub>16</sub> "	3½"	D D-8.2N	40-400-2S
	42E-4036	4"	3⅝"	4¼"	4"	D D-8V-71	40-350S
	42E-4029	4"	2⅞"	3¾"	3¾"	C-V-903	41-300S
	42E-5149	5" I.D.	4⅞"	5¾"	3"	T-50 TURBO	40-500S

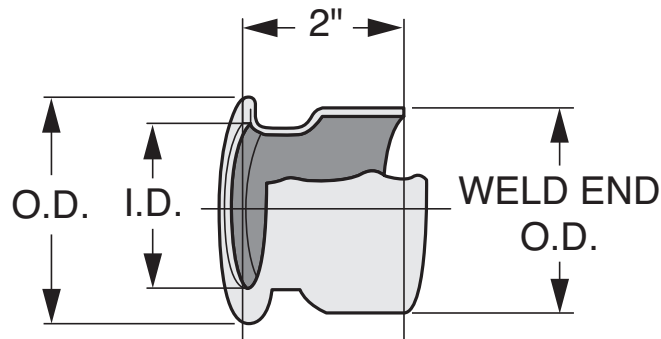
ALTERNATE MATERIALS:  
ADD AZ FOR ALUMINIZED  
ADD S FOR STAINLESS STEEL

EXAMPLES:  
42E-4029AZ  
42E-4029S

## TUBE CONNECTOR / TURBO

STYLE 43E

- QUICK EASY ASSEMBLY
- LEAK TIGHT
- NO GASKET REQUIRED

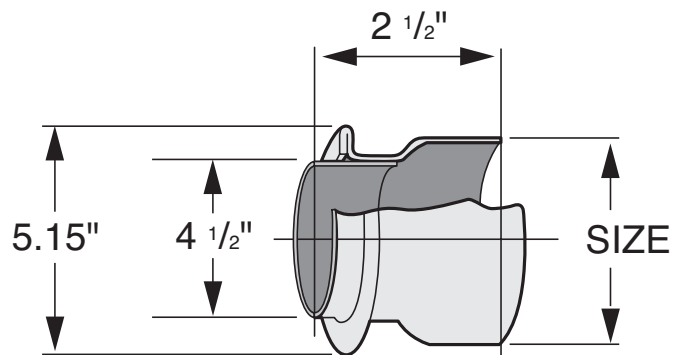


14DD-1814  
DETROIT DIESEL  
PART NO. 5101814

### STANDARD MATERIAL CARBON STEEL

FLANGE PART NO.	WELD END O.D.	O.D.	I.D.	USED ON	USE V-CLAMP
43E-500	5.00"	5.15"	4.52"	DD-8V-71	41-450S

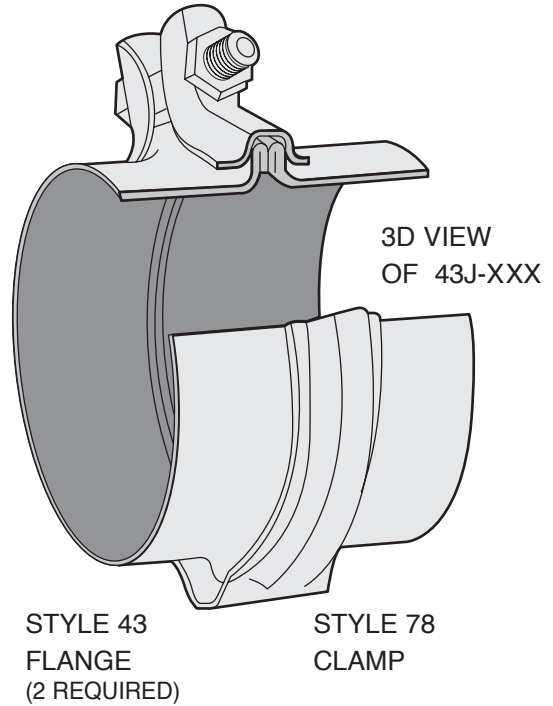
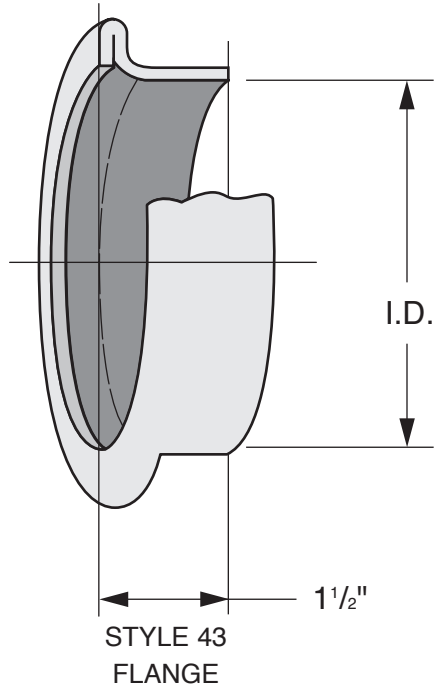
### STYLE 43EL



FLANGE PART NO.	SIZE	USED ON	USED ON
43EL-475	4 <sup>3</sup> / <sub>4</sub> "	DD8V-71T	41-4505
		DD-16V-71T	
43EL-487	4 <sup>7</sup> / <sub>8</sub> "	DD-6V-71T	
43EL-500	5"	DD-8V-71T	
		DD-16V-92T	

## TUBE CONNECTOR STACK BREAKER

- QUICK EASY ASSEMBLY
- LEAK TIGHT
- NO GASKET REQUIRED



### STANDARD MATERIAL CARBON STEEL

SIZE (I.D.)	FLANGE PART NO.	CLAMP PART NO.	COMPLETE JOINT P/N (2 FLANGES & CLAMP)
2"	43-200	78-200	43J-200
2 1/2"	43-250	78-250	43J-250
3"	43-300	78-300	43J-300
3 1/2"	43-350	78-350	43J-350
4"	43-400	78-400-1	43J-400
5"	43-500	78-500-1	43J-500
6"	43-600	78-600-1	43J-600

ALTERNATE MATERIAL:  
ADD S FOR STAINLESS STEEL

EXAMPLE:  
43J-400S

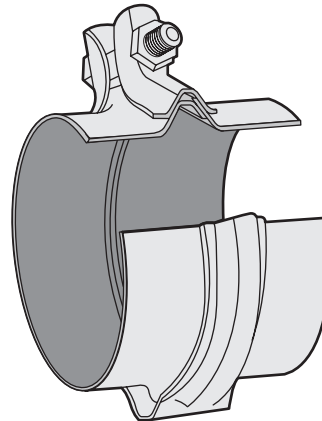
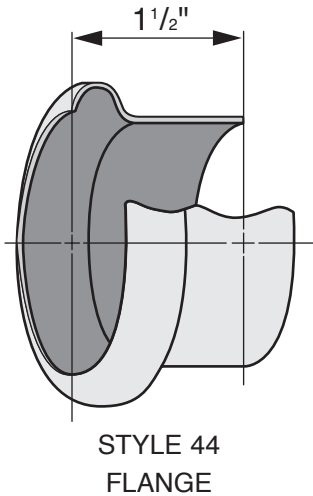
### STANDARD MATERIAL CARBON STEEL

I.D. SIZE	ORDINANCE CORPS FLANGE PART NO.	DYNAFLEX PART NO.
3"	10861736	43-300MS
4"	10932801	43-400MS
3 1/2"	11663019-3	43-350S
3 1/2"	11609354-1	43-350AZ
2 1/2"	11609354-2	43-250AZ
3"	11609354-3	43-300AZ
4"	11609354-4	43-400AZ

TYPE 321 STAINLESS ALTERNATE  
MATERIAL FOR 11609354

## TUBE CONNECTOR DISCONNECT

- QUICK EASY ASSEMBLY
- 1/16" ANGULAR MISALIGNMENT
- LEAK TIGHT - NO GASKET



STYLE 42  
FLANGE

STYLE 44  
FLANGE

STYLE 78  
CLAMP

### STANDARD MATERIAL CARBON STEEL

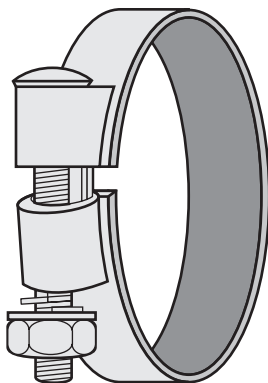
SIZE	STYLE 44 PART NO.	STYLE 42 PART NO.	CLAMP PART NO.	COMPLETE JOINT P/N (2 FLANGES & CLAMP)
4"	44-400	42-400	78-400	44J-400
5"	44-500	42-500	78-500	44J-500
6"	44-600	42-600	78-600	44J-600

ALTERNATE MATERIAL:  
ADD S FOR STAINLESS STEEL

EXAMPLE:  
44J-400S

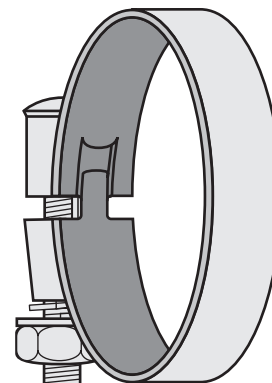
## FULL CIRCLE CLAMPS

- RECOMMENDED FOR USE OVER SLOTTED TUBES
- DOES NOT PINCH, BIND OR CUT
- REDUCES LEAKAGE AND NOISE
- IMPROVED APPEARANCE



### STANDARD MATERIAL - 11 GAUGE CARBON STEEL ONE INCH WIDE - ZINC PLATED

SIZE	PART NO.
3 1/8"	45-312Z
3 5/8"	45-362Z
4 1/8"	45-412Z
5 1/8"	45-512Z
5 1/2"	45-550Z
5 5/8"	45-562Z
6"	45-600Z
6 1/8"	45-612Z
8"	45-800Z
8 1/8"	45-812Z



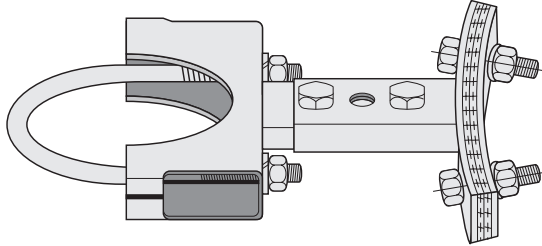
ALTERNATE MATERIAL:  
ADD CP FOR CHROME PLATE

EXAMPLE:  
45-412CP



## HEAVY DUTY ROUND BOLT EXHAUST HANG CLAMP

STYLE 47HC  
HANG CLAMP CURVED



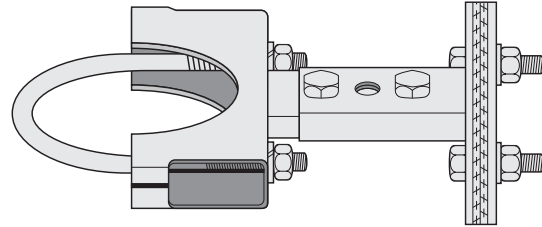
STANDARD MATERIAL CARBON STEEL

SIZE	PART NO.	DESCRIPTION
3"	47HC-300	3/8" BOLT
3 1/2"	47HC-350	
4"	47HC-400	
5"	47HC-500	
6"	47HC-600	

ALTERNATE MATERIALS:  
ADD Z FOR ZINC PLATE  
ADD CP FOR CHROME PLATE

EXAMPLES:  
47HC-500Z  
47HC-500CP

STYLE 47HF  
HANG CLAMP STRAIGHT



STANDARD MATERIAL CARBON STEEL

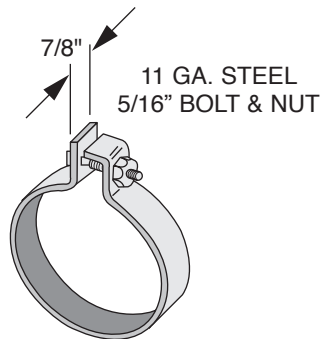
SIZE	PART NO.	DESCRIPTION
3"	47HF-300	3/8" BOLT
3 1/2"	47HF-350	
4"	47HF-400	
5"	47HF-500	
6"	47HF-600	

ALTERNATE MATERIALS:  
ADD Z FOR ZINC PLATE  
ADD CP FOR CHROME PLATE

EXAMPLES:  
47HF-500Z  
47HF-500CP

## STRAP CLAMP FOR HANGERS

STANDARD MATERIAL CARBON STEEL



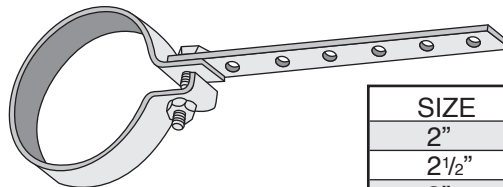
ADD CP FOR CHROME PLATE  
ADD Z FOR ZINC PLATE

SIZE	PART NO.
2"	48C-200
2 1/2"	48C-250
3"	48C-300
3 1/2"	48C-350
4"	48C-400
5"	48C-500
6"	48C-600
8"	48C-800
9"	48C-900
10"	48C-1000

EXAMPLE: 48C-500CP  
EXAMPLE: 48C-500Z

## STRAP HANGER CLAMP

STANDARD MATERIAL CARBON STEEL



ADD CP FOR CHROME PLATE

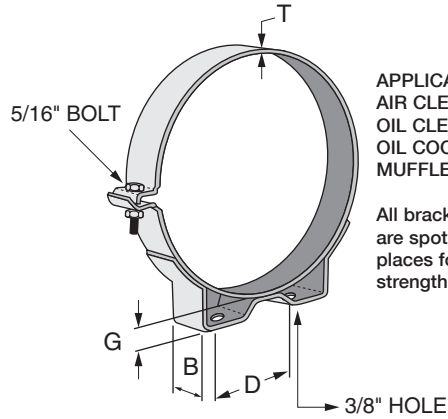
ADD Z FOR ZINC PLATE

EXAMPLE: 48CH-500CP  
EXAMPLE: 48CH-500Z

SIZE	PART NO.
2"	48CH-200
2 1/2"	48CH-250
3"	48CH-300
3 1/2"	48CH-350
4"	48CH-400
5"	48CH-500
6"	48CH-600
8"	48CH-800
9"	48CH-900
10"	48CH-1000

## MOUNTING BRACKET CLAMP

### STANDARD MATERIAL CARBON STEEL



APPLICATIONS:  
AIR CLEANERS  
OIL CLEANERS  
OIL COOLERS  
MUFFLERS

All bracket assemblies are spot welded in 10 places for maximum strength and rigidity

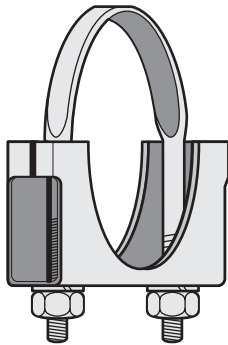
SIZE	PART NO.	T	B	D	G
4"	48M-400	.074	7/8"	2.25	.50
4 1/2"	48M-450	.074	7/8"	2.50	.50
5"	48M-500	.074	7/8"	3.50	.50
5 1/2"	48M-550	.074	7/8"	3.00	.50
6"	48M-600	.074	7/8"	3.00	.50
6 1/2"	48M-650	.074	7/8"	3.75	.50
7"	48M-700	.074	7/8"	4.50	.50
7 3/4"	48M-775	.090	1 1/4"	3.50	.48
8"	48M-800	.090	1 1/4"	4.25	.88
8 1/2"	48M-850	.090	1 1/4"	4.25	.88
9"	48M-900	.090	1 1/4"	4.50	.88
9 3/4"	48M-975	.090	1 1/4"	5.00	.88
10"	48M-1000	.090	1 1/4"	5.00	.88
10 3/16"	48M-1019	.090	1 1/4"	5.00	.88
11 13/16"	48M-1181	.090	1 1/4"	5.00	.88
12"	48M-1200	.090	1 1/4"	5.00	.88
13"	48M-1300	.090	1 1/4"	6.00	.88
14"	48M-1400	.090	1 1/4"	6.00	1.00
15"	48M-1500	.090	1 1/4"	6.25	1.00
16"	48M-1600	.090	1 1/4"	6.50	1.00

ADD CP FOR CHROME PLATE  
ADD Z FOR ZINC PLATE

EXAMPLE: 48M-1019CP  
EXAMPLE: 48M-1019Z

## HEAVY DUTY EXHAUST CLAMPS

### OPEN AND WELDED SADDLES



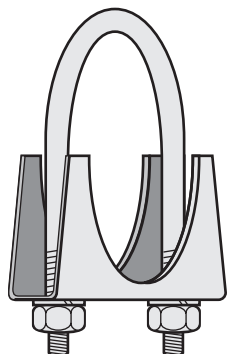
**WELDED SADDLE  
FLAT U-BOLT**

STANDARD MATERIAL CARBON STEEL

SIZE	PART NO.	DESCRIPTION
3"	46-300	3/8" U-BOLT
3 1/2"	46-350	
4"	46-400	
5"	46-500	
6"	46-600	
7"	46-700A	
8"	46-800A	

ALTERNATE MATERIALS:  
ADD Z FOR ZINC PLATE  
ADD CP FOR CHROME PLATE  
A INDICATES ALUM. SADDLE ON 7" & 8"

EXAMPLES:  
46-500Z  
46-500CP



**OPEN SADDLE  
ROUND U-BOLT**

STANDARD MATERIAL CARBON STEEL

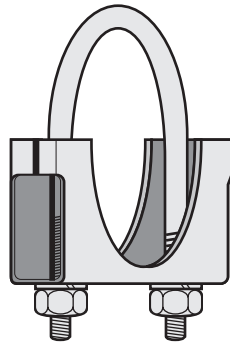
SIZE	PART NO.	DESCRIPTION
1 1/2"	47-150	5/16" U-BOLT
1 3/4"	47-175	
2"	47-200	
2 1/4"	47-225	
2 1/2"	47-250	
2 3/4"	47-275	

ALTERNATE MATERIALS:  
ADD Z FOR ZINC PLATE  
ADD CP FOR CHROME PLATE

EXAMPLES:  
47-200Z  
47-200CP

## HEAVY DUTY EXHAUST CLAMPS

OPEN AND WELDED SADDLES



**WELDED SADDLE  
ROUND U-BOLT**

STANDARD MATERIAL CARBON STEEL

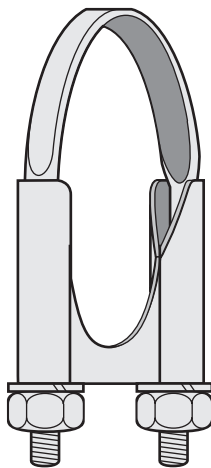
SIZE	PART NO.	DESCRIPTION
3"	47-300	3/8" U-BOLT
3 1/2"	47-350	
4"	47-400	
5"	47-500	
5 1/2"	47-550	
6"	47-600	

ALTERNATE MATERIALS:  
ADD Z FOR ZINC PLATE  
ADD CP FOR CHROME PLATE

EXAMPLES:  
47-500Z  
47-500CP

## HEAVY DUTY EXHAUST CLAMPS

GUILLOTINE SADDLES



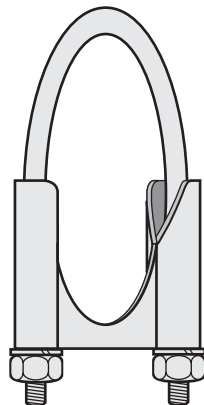
**FLAT U-BOLT**

STANDARD MATERIAL CARBON STEEL

SIZE	PART NO.	DESCRIPTION
3"	46G-300	3/8" U-BOLT
3 1/2"	46G-350	
4"	46G-400	
5"	46G-500	
5 1/2"	46G-550	
6"	46G-600	

ALTERNATE MATERIALS:  
ADD Z FOR ZINC PLATE  
ADD CP FOR CHROME PLATE

EXAMPLES:  
46G-500Z  
46G-500CP



**ROUND U-BOLT**

STANDARD MATERIAL CARBON STEEL

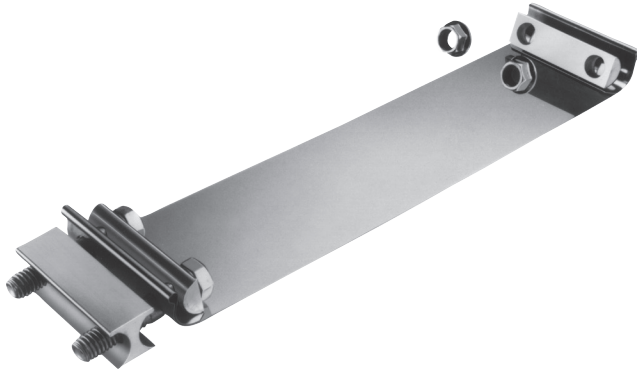
SIZE	PART NO.	DESCRIPTION
1 1/2"	47G-150	5/16" U-Bolt
1 5/8"	47G-162	
1 3/4"	47G-175	
2"	47G-200	
2 1/4"	47G-225	
2 1/2"	47G-250	
3"	47G-300	3/8" U-Bolt
3 1/2"	47G-350	
4"	47G-400	
4 1/2"	47G-450	
5"	47G-500	
5 1/2"	47G-550	
6"	47G-600	

ALTERNATE MATERIALS:  
ADD Z FOR ZINC PLATE  
ADD CP FOR CHROME PLATE

EXAMPLES:  
47G-500Z  
47G-500CP

## EASY SEAL® FLATBAND EXHAUST CLAMP

ECONOMICAL DESIGN

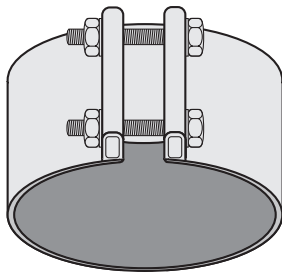


SIZE	PART NO.
3"	50EZ-300S
3 1/2"	50EZ-350S
4"	50EZ-400S
4 1/2"	50EZ-450S
5"	50EZ-500S
5"	50EZ-600S

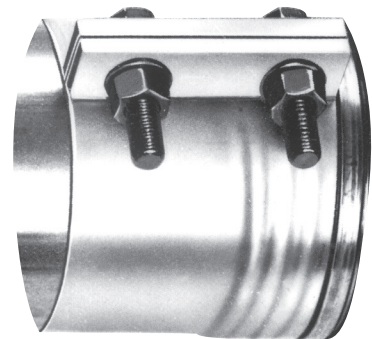
PACKAGED ONE PER BOX  
10 BOXES PER CARTON

## TRU-SEAL CLAMP FLAT STAINLESS STEEL STRAP

FOR USE OVER FLEXIBLE METAL HOSE



- SEALS - MUFFLER INLETS, OUTLETS, ELBOW JOINTS AND OTHER SYSTEM CONNECTIONS.
- FLAT, WIDE BAND CONFORMS TO SHAPE OF PIPE FOR SMOOTH, LEAK-TIGHT FIT.
- DURABLE STAINLESS STEEL, MAINTENANCE FREE.
- PREVENTS EXHAUST PIPE DISTORTION AND BREAKAGE.
- USE FOR TRUCK, BUS, CONSTRUCTION, INDUSTRIAL AND AGRICULTURAL MACHINERY EXHAUST SYSTEMS.



SIZE	PART NO.
2"	50TS-200
2 1/4"	50TS-225
2 1/2"	50TS-250
2 3/4"	50TS-275
3"	50TS-300

ALTERNATE MATERIALS:  
ADD SP FOR POLISHED STAINLESS

SIZE	PART NO.
3 1/4"	50TS-325
3 1/2"	50TS-350
4"	50TS-400
5"	50TS-500
6"	50TS-600
8"	50TS-800

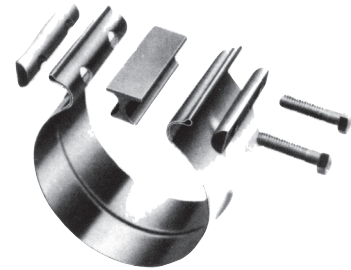
EXAMPLES:  
50TS-500SP

INDIVIDUAL BOXED FLAT  
TEN BOXES PER CARTON

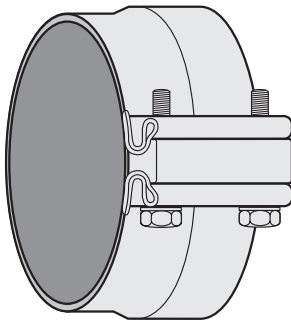
## LAP JOINT EXHAUST CLAMP

RIGID TO FLEX

- UNIQUE 360 DEGREE SEAL REDUCES JOINT FAILURE AND CLOSES GAPS WHICH EMIT GASES AND NOISE.
- RUST RESISTANT DESIGNED FOR LIFE OF VEHICLE IN ALUMINIZED OR STAINLESS STEEL WITH PLATED HARDWARE



OPEN, SLIP-ON DESIGN ALLOWS SINGLE-HANDED INSTALLATION WITHOUT SEPARATING PIPES OR EXHAUST MEMBERS.



U.S. PATENT # 3,905,623 AND FOREIGN PATENTS PENDING. "TORCTITE" IS THE TRADE MARK OF TORCA PRODUCTS, INC.

THE ORIGINAL, OEM WIDE-BAND CLAMP.

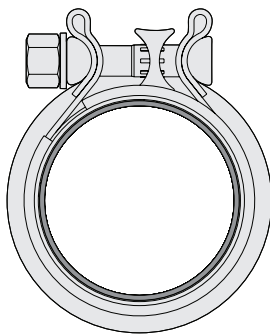
SIZE	PART NO.	DESCRIPTION
2"	50TQ-200AZ	7/16" BOLT
2½"	50TQ-250AZ	
2¾"	50TQ-275AZ	
3"	50TQ-300AZ	
3¼"	50TQ-325AZ	
3½"	50TQ-350AZ	
4"	50TQ-400AZ	
5"	50TQ-500AZ	

ALTERNATE MATERIALS:  
ADD S FOR STAINLESS STEEL  
ADD SP FOR POLISHED STAINLESS

EXAMPLES:  
50TQ-400S  
50TQ-400SP

## NEW 304 STAINLESS NARROW BAND CLAMP

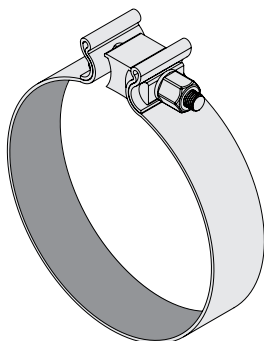
WITH SLEEVE



THESE CLAMPS ARE RECOMMENDED FOR CONNECTING BELLOWS TO RIGIT TUBING

SIZE	PART NO.
3"	50AS-S300S
3½"	50AS-S350S
4"	50AS-S400S
5"	50AS-S500S

## NEW NARROW BAND CLAMP

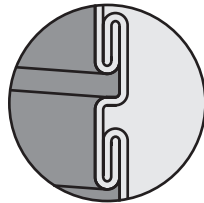
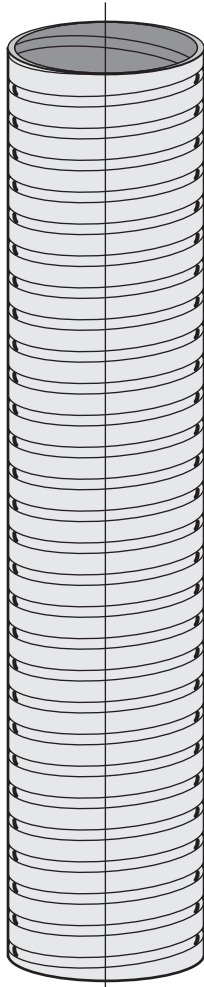


SIZE	PART NO.
3½"	50AS-350AZ
4"	50AS-400AZ
5"	50AS-500AZ
6"	50AS-600AZ

ALTERNATE MATERIALS:  
ADD S FOR STAINLESS STEEL

## FLEXIBLE METAL HOSE

AVAILABLE IN 5 FOOT OR 10 FOOT LENGTHS, OR 25 FOOT ROLLS



### FLEXIBLE GALVANIZED .015-.017

Size	Part No.	Bend "R"
1¼"	51F-125	6"
1½"	51F-150	7"
2"	51F-200	8"
2½"	51F-250	10"
3"	51F-300	13"
3½"	51F-350	16"
4"	51F-400	18"
5"	51F-500	22"
6"	51F-600	26"

### STANDARD WEIGHT GALVANIZED .018-.022

SIZE	PART NO.	BEND "R"
1¼"	51-125	6½"
1½"	51-150	7½"
1¾"	51-175	8½"
2"	51-200	9½"
2¼"	51-225	11"
2½"	51-250	12"
3"	51-300	15½"
3½"	51-350	18"
4"	51-400	20"
5"	51-500	24½"
6"	51-600	29"

### STAINLESS STEEL TYPE 302 .018-.022

Size	Part No.	Bend "R"
2"	53-200	9½"
2¼"	53-225	9½"
2½"	53-250	12"
3"	53-300	15½"
3½"	53-350	18"
4"	53-400	20"
5"	53-500	24½"
6"	53-600	29"
8"	53-800	35"
10"	53-1000	40"
12"	53-1200	48"

### EXTRA HEAVY GALVANIZED .023-.027

SIZE	PART NO.	BEND "R"
1½"	52-150	7½"
2"	52-200	9½"
2¼"	52-225	11"
2½"	52-250	14½"
3"	52-300	16½"
3½"	52-350	19"
4"	52-400	22"
5"	52-500	25½"
6"	52-600	30"
8"	52-800	28½"
10"	52-1000	45"
12"	52-1200	54"

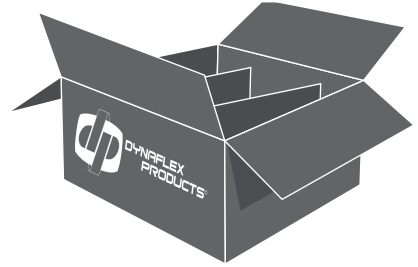
ALTERNATE MATERIAL:  
ADD SP FOR POLISHED STAINLESS

EXAMPLE:  
53-500SP

## FLEX SIX PACKS

CUT TO SIZE, DEBURRED AND SPOT WELDED

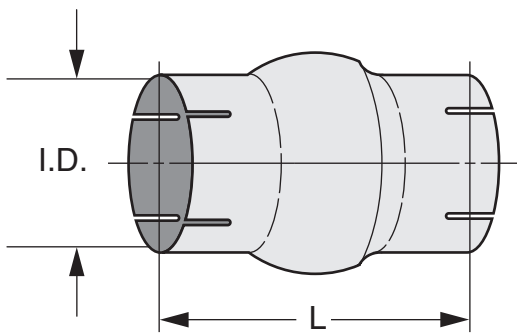
- NEW, LOWER PRICING
- EASY STORAGE
- PROFESSIONALLY FINISHED PRODUCT
- SIX CONVENIENT PRE-CUT LENGTHS
- LIGHT, MEDIUM & HEAVY WALL AND STAINLESS STEEL AVAILABLE



LIGHT WALL			MEDIUM WALL			HEAVY WALL			STAINLESS STEEL WALL WALL		
SIZE	L	SIX PACK PART NO.	SIZE	L	SIX PACK PART NO.	SIZE	L	SIX PACK PART NO.	SIZE	L	SIX PACK PART NO.
4"	12"	51F-400-12-6	4"	12"	51-400-12-6	4"	12"	52-400-12-6	4"	12"	53-400-12-6
4"	18"	51F-400-18-6	4"	18"	51-400-18-6	4"	18"	52-400-18-6	4"	18"	53-400-18-6
4"	24"	51F-400-24-6	4"	24"	51-400-24-6	4"	24"	52-400-24-6	4"	24"	53-400-24-6
4"	36"	51F-400-36-6	4"	36"	51-400-36-6	4"	36"	52-400-36-6	4"	36"	53-400-36-6
5"	12"	51F-500-12-6	5"	12"	51-500-12-6	5"	12"	52-500-12-6	5"	12"	53-500-12-6
5"	18"	51F-500-18-6	5"	18"	51-500-18-6	5"	18"	52-500-18-6	5"	18"	53-500-18-6
5"	24"	51F-500-24-6	5"	24"	51-500-24-6	5"	24"	52-500-24-6	5"	24"	53-500-24-6
5"	36"	51F-500-36-6	5"	36"	51-500-36-6	5"	36"	52-500-36-6	5"	36"	53-500-36-6
5"	48"	51F-500-48-6	5"	48"	51-500-48-6	5"	48"	52-500-48-6	5"	48"	53-500-48-6
5"	60"	51F-500-60-6	5"	60"	51-500-60-6	5"	60"	52-500-60-6	5"	60"	53-500-60-6

### BALL JOINTS

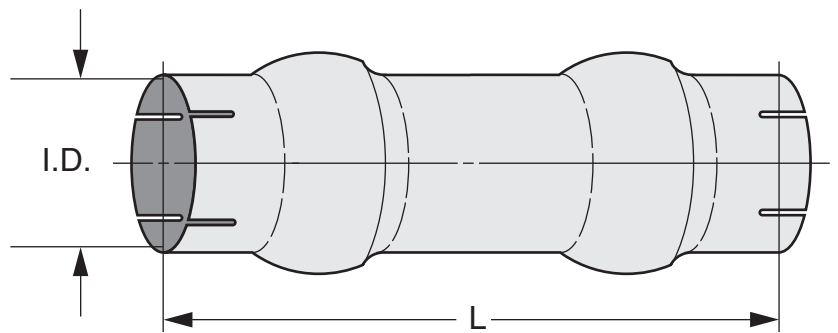
- 10° ANGULARITY
- 360° ROTATION



SIZE	PART NO.	L
3"	56-300Z	6 1/2"
3 1/2"	56-350Z	6 1/2"
4"	56-400Z	7 1/4"
5"	56-500Z	8"

### DOUBLE BALL JOINT

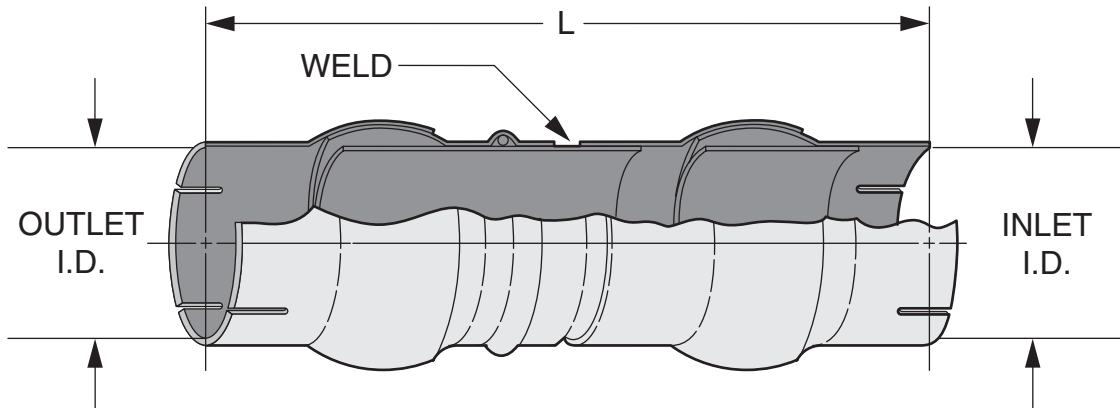
- 10° ANGULARITY
- 360° ROTATION
- 2" OFF SET



SIZE	PART NO.	L
3"	56D-300Z	13"
3 1/2"	56D-350Z	13"
4"	56D-400Z	14 1/2"
5"	56D-500Z	16"

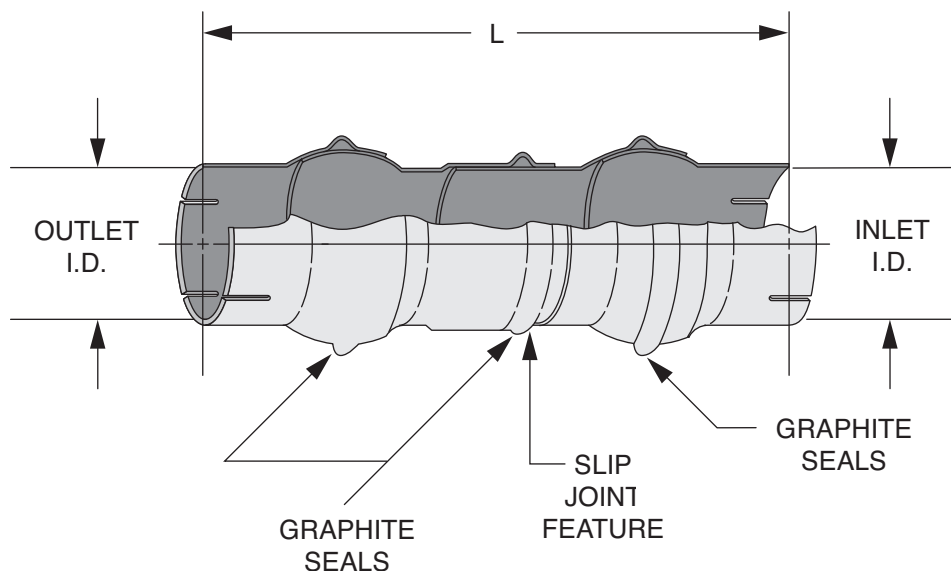
ALL BALL JOINTS ARE ZINC PLATED

## DOUBLE BALL JOINT WITH SLIP JOINT FEATURE ALLOWING LATERAL MOVEMENT



SIZE	PART NO.	LENGTH
3"	56DA-300Z	14" TO 16"
3½"	56DA-350Z	14" TO 16"
4"	56DA-400Z	16" TO 18"
5"	56DA-500Z	16" TO 18"

## LUBRICATING DOUBLE BALL JOINT WITH SLIP JOINT FEATURE ALLOWING UNIVERSAL MOVEMENT



- 10° ANGULARITY
- 360° ROTATION
- 2" OFF-SET
- 2" AXIAL

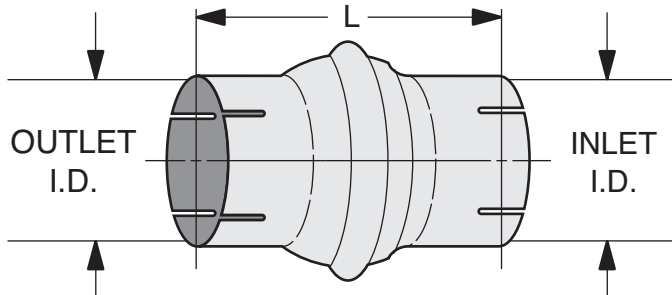
size	PART NO.	L
3"	56DGA-300Z	14" to 16"
3½"	56DGA-350Z	14" to 16"
4"	56DGA-400Z	16" to 18"
5"	56DGA-500Z	16" to 18"

THE DOUBLE BALL JOINT FEATURE THREE GRAPHITE SEALS TO LUBRICATE THE MOVING PARTS. THE SEALS ARE HEAT RESISTANT TO 1700°F. THE SLIP JOINT FEATURE INSURES LATERAL MOVEMENT, WITH THE BALL ENDS PROVIDING A  $\pm 10^\circ$  ANGULARITY MOVEMENT.



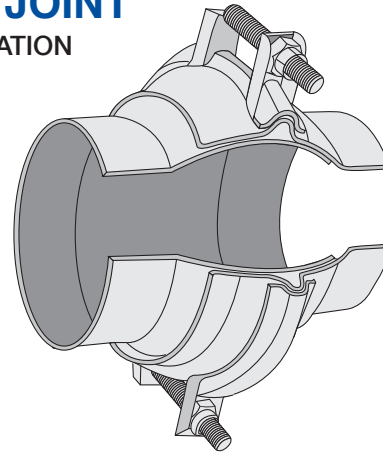
## LUBRICATING BALL JOINT

10° ANGULARITY • 360° ROTATION



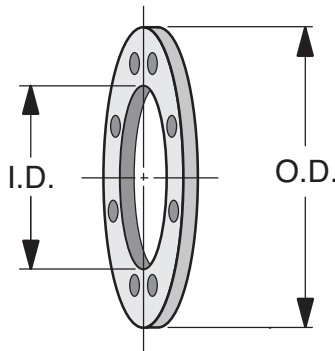
SIZE	PART NO.	L
3"	56G-300Z	6 1/2"
3 1/2"	56G-350Z	6 1/2"
4"	56G-400Z	7 1/4"
5"	56G-500Z	8"

The Single Lubricating Ball Joints feature a Graphite Seal which is heat resistant to 1200°F, and provides self-lubrication to keep the joint flexible and free moving. The ±10° angularity remains flexible throughout its service life.



SIZE	PART NO.	L
3"	56V-300	6 1/2"
3 1/2"	56V-350	6 1/2"

Clamp may be tightened to compensate for gasket wear and permits quick disconnection of exhaust system for engine service. No special tools required.

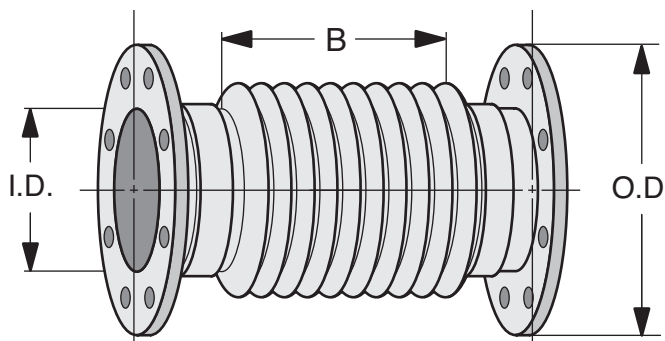


CLASS 125#

## CARBON STEEL BOLTED PLATE - FLANGE

THICK	SIZE	PART NO.	ID	OD	B.C.	HOLE SIZE	NO OF HOLES
1/2"	5"	59F-500-125	5 1/16"	10"	8 1/2"	7/8"	8
1/2"	6"	59F-600-125	6 1/16"	11"	9 1/2"	7/8"	8
1/2"	8"	59F-800-125	8 1/8"	13 1/2"	11 3/4"	7/8"	8
1/2"	10"	59F-1000-125	10 1/8"	16"	14 3/4"	1"	12
1/2"	12"	59F-1200-125	12 1/8"	19"	17"	1"	12

## STAINLESS STEEL BELLOWS EXPANSION JOINT WITH BOLTED FLANGES

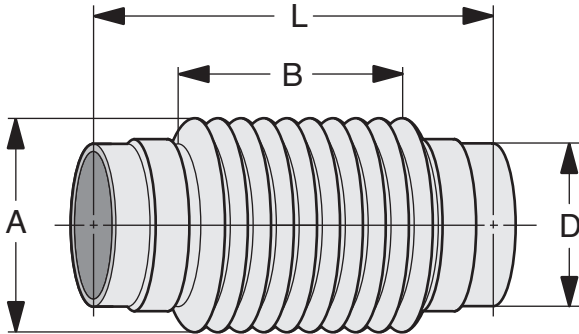


**BOLTED FLANGE ENDS — STEEL**  
**.020 BELLOWS — STAINLESS STEEL**

SIZE	PART NO.	ID	OD	B	L
5"	59-500-125S	5"	10"	6"	10"
6"	59-600-125S	6"	11"	6"	10"
8"	59-800-125S	8"	13 1/2"	6"	10"
10"	59-1000-125S	10"	16"	6"	10"
12"	59-1200-125S	12"	19"	6"	10"

PART NO. - 2 = TWO PLY BELLOWS (.012)  
EXAMPLE: 59-500-125-2S

## STAINLESS STEEL BELLOWS EXPANSION JOINT



WELD ENDS — STEEL  
.020 BELLOWS — STAINLESS STEEL

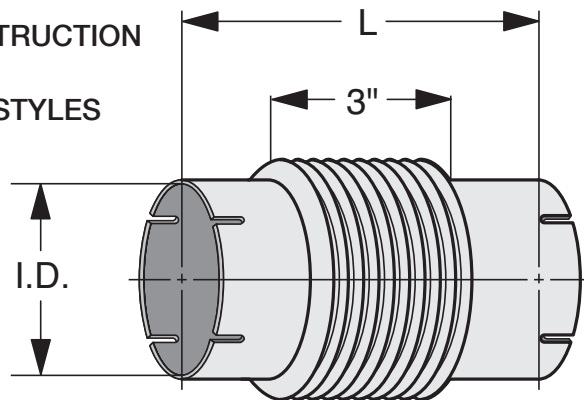
SIZE	PART NO.	A	B	D	L
5"	60W-500S	6"	6"	5"	10"
6"	60W-600S	7"	6"	6"	10"
8"	60W-800S	9"	6"	8"	10"
10"	60W-1000S	11"	6"	10"	10"
12"	60W-1200S	13"	6"	12"	10"

PART NO. - 2 = TWO PLY BELLOWS (.012)  
EXAMPLE: 60W-600-2S

## STAINLESS STEEL BELLOWS

LEAK PROOF EXHAUST BELLOWS FOR GENERAL  
PURPOSE APPLICATIONS AND FOR CRITICAL APPLICATIONS

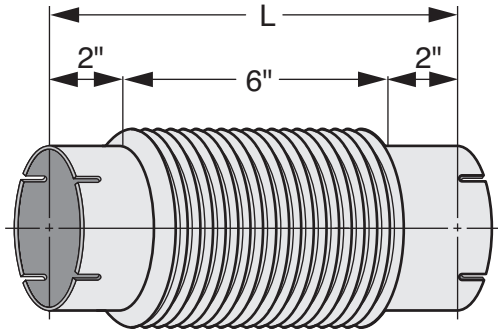
- AVAILABLE IN MULTI-PLY CONSTRUCTION
- DIAMETERS UP TO 32 INCHES
- AVAILABLE WITH VARIOUS END STYLES
- CAPABLE OF ANGULAR  $+10^\circ$ ,  
AXIAL  $\frac{1}{4}$ " AND OFF SET  $\frac{1}{8}$ "
- 3" REFERENCE



SIZE	PART NO. SINGLE PLY	PART NO. DOUBLE PLY	L	USE CLAMP PART NO*
2"	60H-200S	60H-200-2S	5 $\frac{1}{2}$ "	50TS-200
2 $\frac{1}{2}$ "	60H-250S	60H-250-2S	5 $\frac{1}{2}$ "	50TS-250
3"	60H-300S	60H-300-2S	6"	50TS-300
3 $\frac{1}{2}$ "	60H-350S	60H-350-2S	6"	50TS-350
4"	60H-400S	60H-400-2S	6 $\frac{1}{2}$ "	50TS-400
5"	60H-500S	60H-500-2S	7"	50TS-500
6"	60H-600S	60H-600-2S	7"	50TS-600
8"	60H-800S	60H-800-2S	7"	50TS-800

ADD "P" FOR BELLOWS WITH PLAIN ENDS      EXAMPLE: 60HP-500S  
\*ORDER CLAMPS SEPARATELY

## STAINLESS STEEL BELLOWS



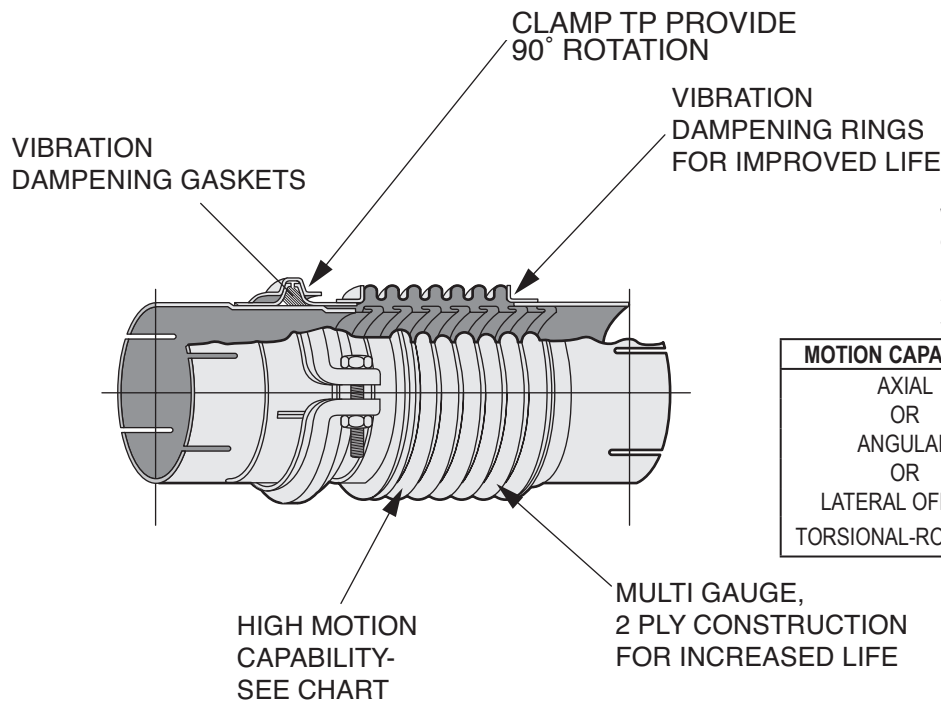
SIZE	PART NO. SINGLE PLY	PART NO. DOUBLE PLY	L	PART NO USE CLAMP*
2"	60L-200S	60L-200-2S	10"	50TS-200
2½"	60L-250S	60L-250-2S	10"	50TS-250
3"	60L-300S	60L-300-2S	10"	50TS-300
3½"	60L-350S	60L-350-2S	10"	50TS-350
4"	60L-400S	60L-400-2S	10"	50TS-400
5"	60L-500S	60L-500-2S	10"	50TS-500
6"	60L-600S	60L-600-2S	10"	50TS-600
8"	60L-800S	60L-800-2S	10"	50TS-800

ADD "P" FOR BELLOWS WITH PLAIN ENDS

EXAMPLE:  
60PL-500S

- \* ORDER CLAMPS SEPARATELY, (SEE PAGE 59)
- \* 6" REFERENCE

## MASTER FLEX JOINT REINFORCED WITH STAINLESS FLEX LINER



WELDED TUBE ENDS ARE  
CARBON STEEL

2 PLY STAINLESS  
STEEL BELLOWS

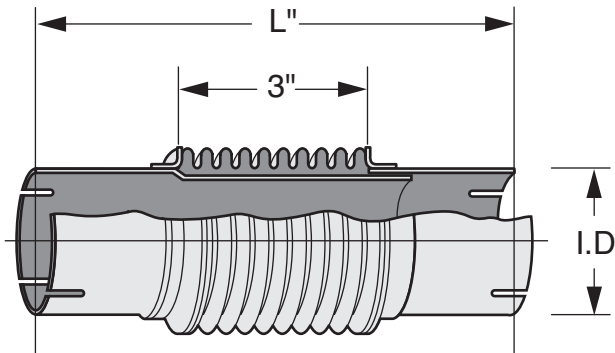
MOTION CAPABILITY	B = 3"	B = 6"
AXIAL OR	±.3	±.6
ANGULAR OR	±15°	±30°
LATERAL OFFSET	±.12	±.25
TORSIONAL-ROTATION	±30°	±60°

PLAIN END						
SIZE	PART NO.	B	L	PART NO.	B	L
2"	61P-200S	3"	15"	61PL-200S	6"	18"
2½"	61P-250S	3"	15"	61PL-250S	6"	18"
3"	61P-300S	3"	15"	61PL-300S	6"	18"
3½"	61P-350S	3"	15"	61PL-350S	6"	18"
4"	61P-400S	3"	15"	61PL-400S	6"	18"
5"	61P-500S	3"	15"	61PL-500S	6"	18"
6"	61P-600S	3"	15"	61PL-600S	6"	18"

SLOTTED END						
SIZE	PART NO.	B	L	PART NO.	B	L
2"	61-200S	3"	15"	61L-200S	6"	18"
2½"	61-250S	3"	15"	61L-250S	6"	18"
3"	61-300S	3"	15"	61L-300S	6"	18"
3½"	61-350S	3"	15"	61L-350S	6"	18"
4"	61-400S	3"	15"	61L-400S	6"	18"
5"	61-500S	3"	15"	61L-500S	6"	18"
6"	61-600S	3"	15"	61L-600S	6"	18"

ADD "SS" FOR STAINLESS STEEL CONSTRUCTION THROUGHOUT

## BELLOWS WITH LINER



BELLOW IS MULTI GAUGE 2 PLY CONSTRUCTION FOR INCREASED LIFE. FOR USE WHERE HIGH VELOCITY FLOW OR HEAT IS ENCOUNTERED.

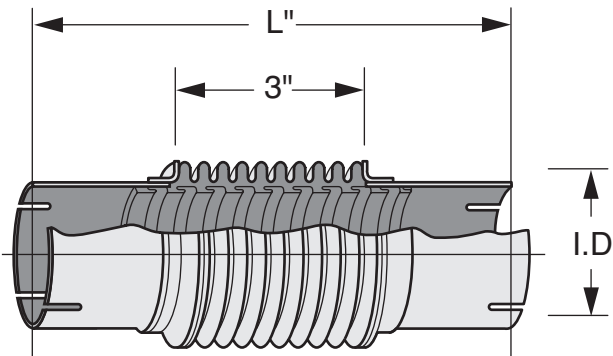
ENDS ARE CARBON STEEL

SIZE	PART NO.	L
2"	63-200S	8"
2½"	63-250S	8"
3"	63-300S	8"
3½"	63-350S	9½"
4"	63-400S	10"
5"	63-500S	10½"
6"	63-600S	11"

ADD "P" FOR PLAIN ENDS  
ADD "SS" FOR ALL STAINLESS  
\* 3" REFERENCE

EXAMPLE:  
63P-500S  
63P-500SS

## BELLOWS WITH INTERNAL FLEX TUBE LINER



BELLOW IS MULTI GAUGE 2 PLY CONSTRUCTION FOR INCREASED LIFE. FOR USE WHERE EXTREME HEAT, FLOW, VIBRATION, OR PRESSURE CYCLING IS ENCOUNTERED. IDEAL FOR TURBO CONVEYOR SYSTEMS

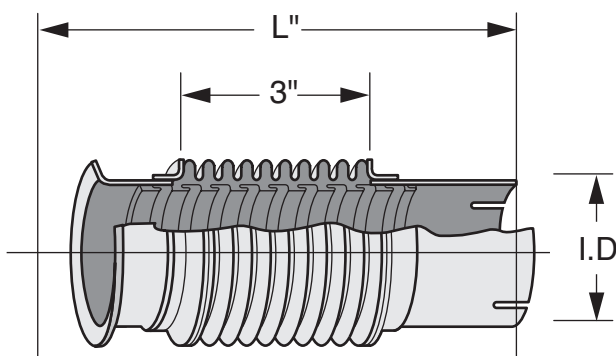
ENDS ARE CARBON STEEL

SIZE	PART NO.	L
2"	64-200S	7"
2½"	64-250S	7"
3"	64-300S	7"
3½"	64-350S	8"
4"	64-400S	8"
5"	64-500S	8"
6"	64-600S	8"

ADD "P" FOR PLAIN ENDS  
ADD "SS" FOR ALL STAINLESS

EXAMPLE:  
64P-500S  
64P-500SS

## BELLOWS WITH TURBO OR MANIFOLD FLANGE



BELLOW IS MULTI GAUGE 2 PLY CONSTRUCTION FOR INCREASED LIFE. FOR MOUNTING DIRECT TO TURBO-CHARGER OR MANIFOLD.

ENDS ARE CARBON STEEL

SIZE	PART NO.	L
2"	65-200S	7"
2½"	65-250S	7"
3"	65-300S	7"
3½"	65-350S	8"
4"	65-400S	8"
5"	65-500S	8"
6"	65-600S	8"

ADD "P" FOR PLAIN ENDS  
ADD "SS" FOR ALL STAINLESS

EXAMPLE:  
64P-500S  
64P-500SS

## CORRUGATED FLEXIBLE HOSE BELLOWS

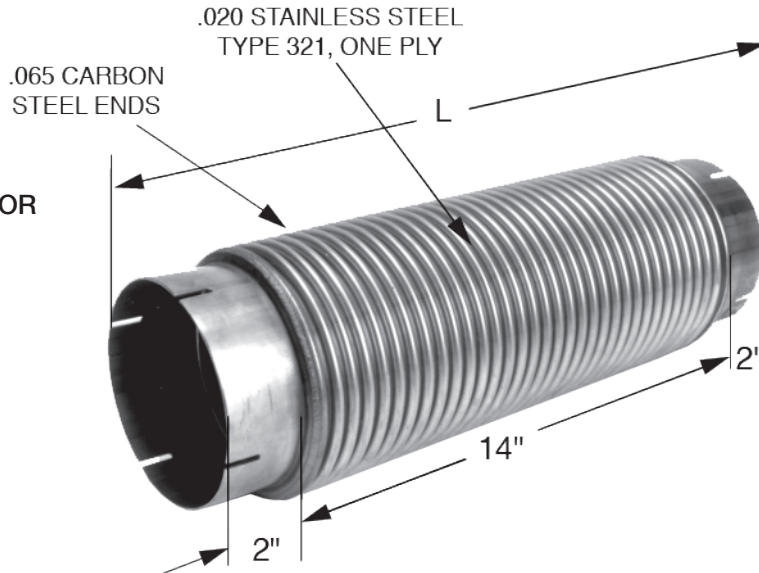
STANDARD MATERIAL: STAINLESS STEEL FLEX WITH CARBON STEEL ENDS

**FEATURES:**

ANGULAR ADJUSTMENT AND  
10° THERMAL EXPANSION -  
CONTRACTION  
LOW COST BELLOWS CONNECTOR

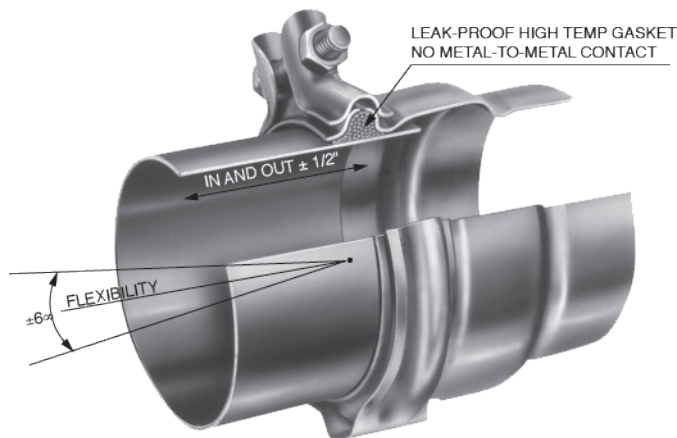
**APPLICATIONS:**

- POWER PLANTS
- STATIONARY ENGINES
- GENERATOR SETS



SIZE	PART NO. ONE END PLAIN 1 END EXP. & SLOTTED	PART NO. BOTH ENDS PLAIN	PART NO. BOTH ENDS EXP. & SLOTTED	LENGTH
1½"	66-150-12S	66P-150-12S	66D-150-12S	12"
1¾"	66-175-12S	66P-175-12S	66D-175-12S	12"
2"	66-200-6S	66P-200-6S	66D-200-6S	6"
	66-200-8S	66P-200-8S	66D-200-8S	8"
	66-200-12S	66P-200-12S	66D-200-12S	12"
2½"	66-250-8S	66P-250-8S	66D-250-8S	8"
	66-250-12S	66P-250-12S	66D-250-12S	12"
	66-250-18S	66P-250-18S	66D-250-18S	18"
3"	66-300-8S	66P-300-8S	66D-300-8S	8"
	66-300-12S	66P-300-12S	66D-300-12S	12"
	66-300-18S	66P-300-18S	66D-300-18S	18"
	66-300-24S	66P-300-24S	66D-300-24S	24"
3½"	66-350-12S	66P-350-12S	66D-350-12S	12"
	66-350-18S	66P-350-18S	66D-350-18S	18"
	66-350-24S	66P-350-24S	66D-350-24S	24"
4"	66-400-12S	66P-400-12S	66D-400-12S	12"
	66-400-18S	66P-400-18S	66D-400-18S	18"
	66-400-24S	66P-400-24S	66D-400-24S	24"
5"	66-500-12S	66P-500-12S	66D-500-12S	12"
	66-500-18S	66P-500-18S	66D-500-18S	18"
	66-500-24S	66P-500-24S	66D-500-24S	24"
6"	66-600-18S	66P-600-18S	66D-600-18S	18"
	66-600-24S	66P-600-24S	66D-600-24S	24"
8"	66-800-18S	66P-800-18S	66D-800-18S	18"
	66-800-24S	66P-800-24S	66D-800-24S	24"

## EXPAND-O-FLEX JOINTS



### GASKETED FLEXIBLE EXHAUST CONNECTOR

#### MINIMIZE EXHAUST LEAKAGE

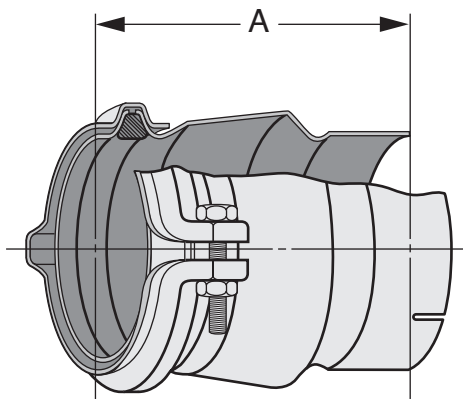
- EXCESSIVE DOWNTIME
- WILL NOT UNRAVEL & CRACK LIKE FLEXIBLE METAL HOSE.

## CLAMP-ON JOINT

STYLE 72

## WELD ON JOINT

STYLE 71



± 6° ANGULARITY

± 1/2" AXIAL IN AND OUT MOVEMENT

360° ROTATION

TUBE SIZE	WELD-ON PART NO.	A	CLAMP-ON PART NO.
2"	71-200C	3.38	72-200C
2½"	71-250C	3.50	72-250C
3"	71-300C	3.88	72-300C
3½"	71-350C	3.88	72-350C
4"	71-400C	4.75	72-400C
5"	71-500C	4.75	72-500C
6"	71-600C	4.75	72-600C

ADDITIONAL MATERIALS:

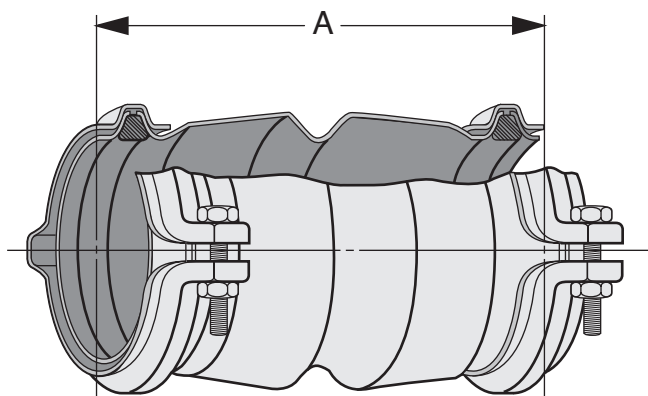
ADD Z FOR ZINC PLATED

ADD S FOR STAINLESS STEEL

EXAMPLE:

71-500Z

71-500S



± 12° ANGULARITY

± 1" AXIAL IN AND OUT MOVEMENT

360° ROTATION

## DOUBLE FLEX JOINT

STYLE 73

NO WELDING REQUIRED

TUBE SIZE	CARBON STEEL PART NO.	A
2"	73-200C	4.25"
2½"	73-250C	4.50"
3"	73-300C	4.50"
3½"	73-350C	4.50"
4"	73-400C	5.88"
5"	73-500C	5.88"
6"	73-600C	5.88"

ADDITIONAL MATERIALS:

ADD Z FOR ZINC PLATED

ADD S FOR STAINLESS STEEL

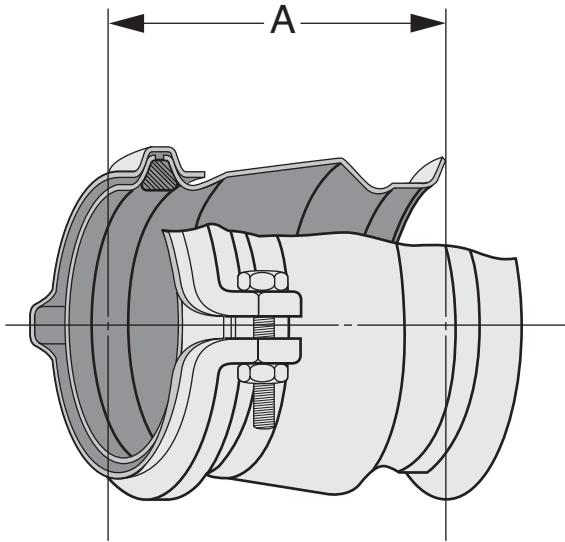
EXAMPLE:

73-500Z

73-500S

## EXPAND-O-FLEX JOINTS

STYLE 74 AND 75 TURBO-FLEX JOINTS  
FOR DIRECT ATTACHMENT TO MANIFOLD OR TURBO



SIZE	CARBON STEEL PART NO.	A	ENGINE PART NO.
3"	74-300C	3¼"	6V53, V903
3½"	74-350C	3¼"	8V71
4"	74-400C	4"	6V71, 12V71
5"	74-500C	4"	T50, 4LF
4"	75-400C	4"	TE 0699
4½"	75-500C	4"	T18A40V

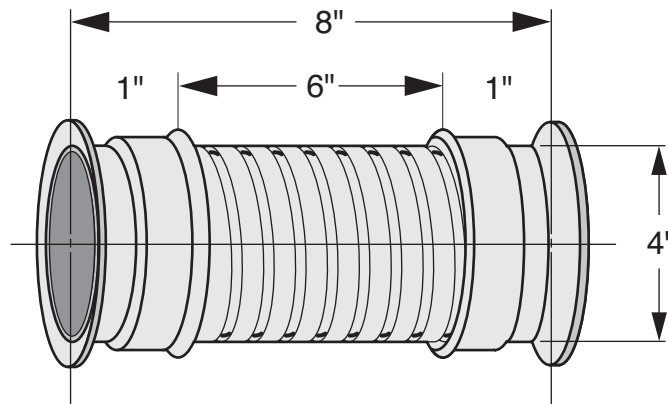
ADDITIONAL MATERIALS:  
ADD Z FOR ZINC PLATED  
ADD S FOR STAINLESS STEEL

EXAMPLE:  
74-500Z  
74-500S

## FLEX JOINT

### WITH STAINLESS STEEL FLEX

4 INCH DIAMETER FLEX CONNECTOR FEATURING  
20° FLARED FLANGES WITH FLEX.



SIZE DIAMETER	DYNAFLEX PART NO.	L	MACK TRUCK PART NO.
4"	76FT-400S*	8"	4ME21408

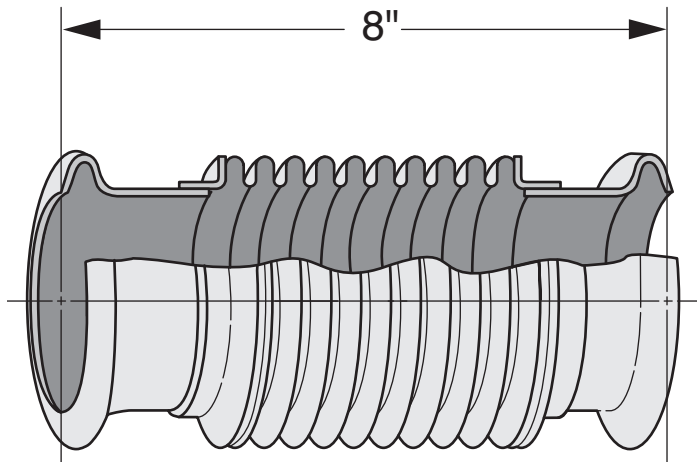
\*14MK-1408



## RK FLEX JOINT WITH STAINLESS STEEL BELLOWS

THIS IS A BELLOWS STYLE JOINT WITH:

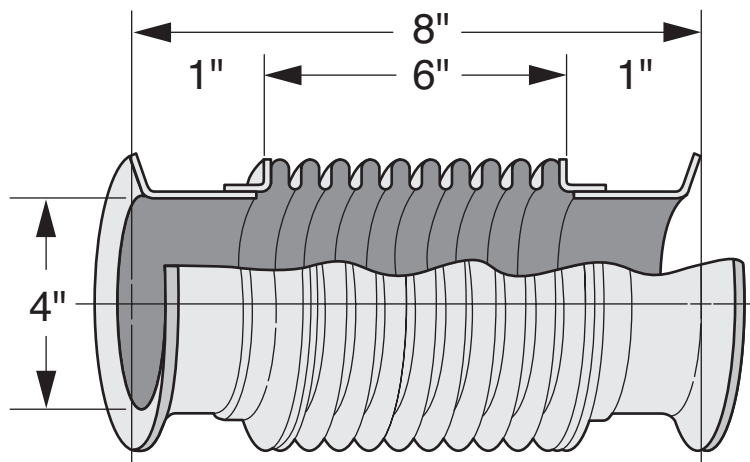
1. ROLLED FORMED FLANGES
2. MULTI GAUGE 2-PLY CONSTRUCTION BELLOWS FOR INCREASED LIFE.



SIZE DIAMETER	DYNAFLEX PART NO.	L	MACK TRUCK PART NO.
4"	76B-400S	8"	4ME21696

---

## RK FLEX JOINT WITH STAINLESS STEEL BELLOWS



THIS IS A BELLOWS STYLE JOINT WITH:

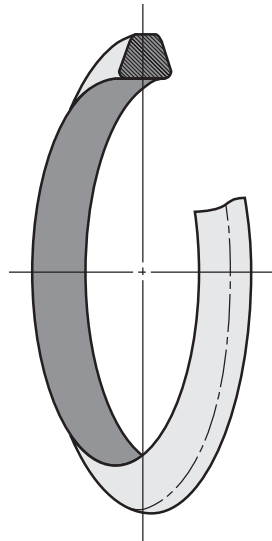
1. 20° FLARED FLANGES (HEAVY WALL)
2. MULTI GAUGE 2-PLY CONSTRUCTION BELLOWS FOR INCREASED LIFE.

SIZE DIAMETER	DYNAFLEX PART NO.	L	MACK TRUCK PART NO.
4"	76F-400S*	8"	4ME21409

\*14MK-1409



## REPLACEMENT PARTS GASKET

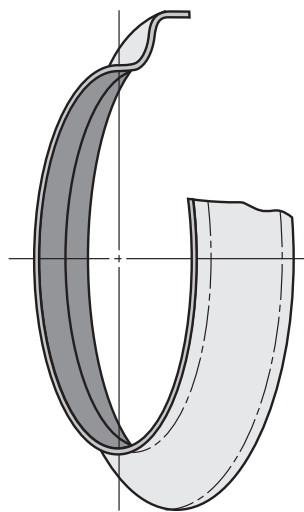


**FEATURES:**  
HIGH TEMPERATURES HEAT  
RESISTANT COMPOUND

TUBE SIZE	PART NUMBER
2"	77-200
2½"	77-250
3"	77-300
3½"	77-350
4"	77-400
5"	77-500
6"	77-600

REPLACEMENT GASKET FOR EXPAND-O-FLEX JOINTS ON PGS. 69 & 70.

## RETAINER



**FEATURES:**  
STRONGER GASKET  
PROTECTION FOR BETTER  
SEALING AGAINST EXHAUST  
LEAKAGE

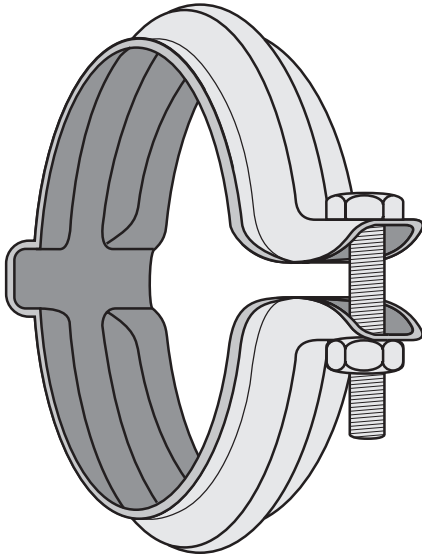
TUBE SIZE	PART NUMBER
2"	79-200C
2½"	79-250C
3"	79-300C
3½"	79-350C
4"	79-400C
5"	79-500C
6"	79-600C

**ADDITIONAL MATERIALS:**  
ADD Z FOR ZINC PLATED  
ADD S FOR STAINLESS STEEL

**EXAMPLE:**  
79-500Z  
79-500S

REPLACEMENT RETAINER FOR EXPAND-O-FLEX JOINTS ON PGS. 69 & 70.

## SINGLE PIECE V-CLAMP WITH HINGE



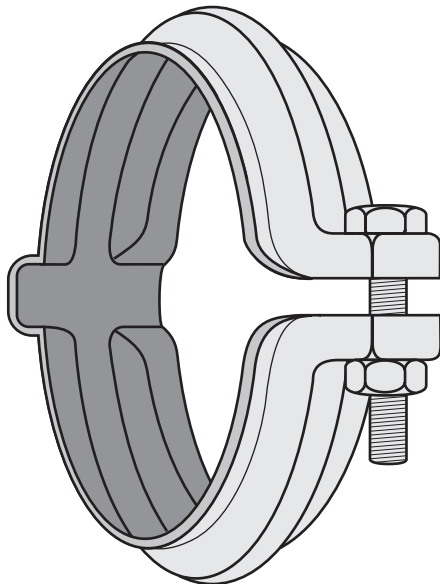
OPEN EAR STYLE

TUBE SIZE	PART NUMBER	apex
2"	78-200	.207
2½"	78-250	
3"	78-300	
3½"	78-350	
4"	78-400-1	
4½"	78-450-1	
5"	78-500-1	
5½"	78-550-1	
6"	78-600-1	

ADDITIONAL MATERIALS:  
ADD Z FOR ZINC PLATED  
ADD S FOR STAINLESS STEEL

EXAMPLE:  
78-350Z  
78-350S

REPLACEMENT CLAMPS FOR EXPAND-O-FLEX JOINTS ON PGS. 69 & 70.



CLOSED EAR STYLE

TUBE SIZE	PART NUMBER	apex
4"	78-400	.400
5"	78-500	
6"	78-600	

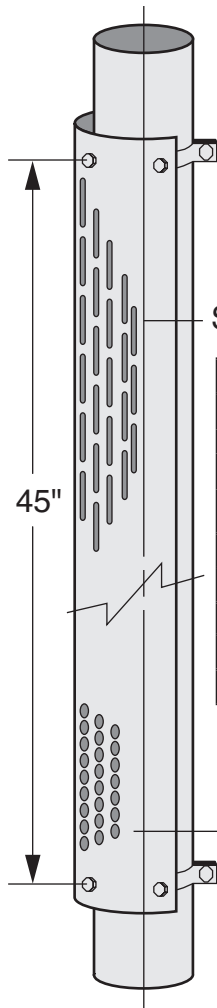
ADDITIONAL MATERIALS:  
ADD Z FOR ZINC PLATED  
ADD S FOR STAINLESS STEEL

EXAMPLE:  
78-500Z  
78-500S

REPLACEMENT CLAMPS FOR EXPAND-O-FLEX JOINTS ON PGS. 69 & 70.

## 180° STACK GUARD ASSEMBLY

1. FOUR STYLES AVAILABLE
2. MOUNTING CLAMPS INCLUDED WITH GUARD
3. GUARD MOUNTS TO THE STACK



STYLE "E"

STYLE "R"

### FOUR STYLES OF GUARDS ARE AVAILABLE

VENDOR	DESCRIPTION	STYLE
KENWORTH.....	ROUND HOLES .....	R
PETERBILT .....	VERTICAL SLOTS .....	E
FREIGHTLINER.....	HORIZONTAL SLOTS.....	F
SPECIAL .....	NO HOLES .....	N

### 180° STACK GUARD PART NO. 81

STACK SIZE	ROUND HOLE	VERTICAL SLOTS	HORIZONTAL SLOT	NO HOLES	FINISH	LENGTH
	STYLE R PART NO.	STYLE E PART NO.	STYLE F PART NO.	STYLE N PART NO.		
4"	81R-40048SP	81E-40048SP	81F-40048SP	81N-40048SP	STAINLESS POLISH	48"
5"	81R-50048SP	81E-50048SP	81F-50048SP	81N-50048SP	STAINLESS POLISH	48"
6"	81R-60048SP	81E-60048SP	81F-60048SP	81N-60048SP	STAINLESS POLISH	48"
7"	81R-70048SP	81E-70048SP	81F-70048SP	81N-70048SP	STAINLESS POLISH	48"
8"	81R-80048SP	81E-80048SP	81F-80048SP	81N-80048SP	STAINLESS POLISH	48"

## 360° STACK GUARD ASSEMBLY

1. FOUR STYLES AVAILABLE
2. MOUNTING CLAMPS INCLUDED WITH GUARD
3. GUARD MOUNTS TO THE STACK

### FOUR STYLES OF GUARDS ARE AVAILABLE

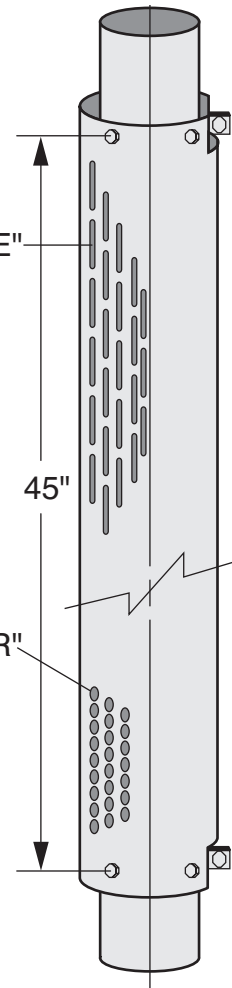
VENDOR	DESCRIPTION	STYLE
KENWORTH.....	ROUND HOLES .....	R
PETERBILT .....	VERTICAL SLOTS .....	E
FREIGHTLINER.....	HORIZONTAL SLOTS.....	F
SPECIAL .....	NO HOLES .....	N

### 360° STACK GUARD PART NO. 82

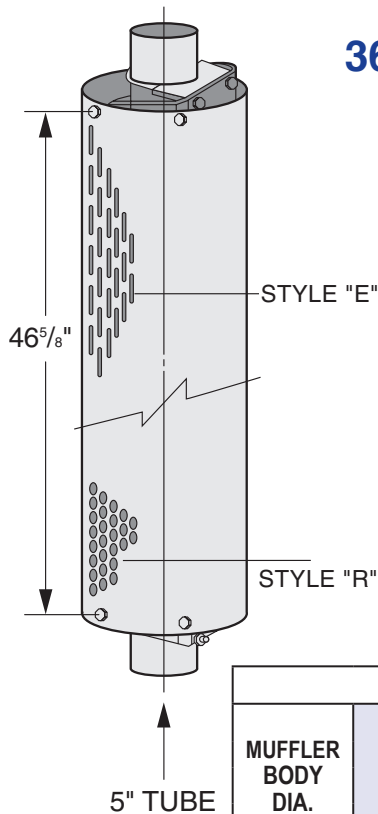
STACK SIZE	ROUND HOLE	VERTICAL SLOTS	HORIZONTAL SLOT	NO HOLES	FINISH	LENGTH
	STYLE R PART NO.	STYLE E PART NO.	STYLE F PART NO.	STYLE N PART NO.		
4"	82R-40048SP	82E-40048S P	81F-40048S P	82N-40048S P	STAINLESS POLISH	48"
5"	82R-50048S P	82E-50048SP	81F-50048S P	82N-50048S P	STAINLESS POLISH	48"
6"	82R-60048S P	82E-60048S P	81F-60048S P	82N-60048SP	STAINLESS POLISH	48"
7"	82R-70048S P	82E-70048S P	81F-70048S P	82N-70048S P	STAINLESS POLISH	48"
8"	82R-80048S P	82E-80048S P	81F-80048S P	82N-80048S P	STAINLESS POLISH	48"

STYLE "E"

STYLE "R"



## 360° MUFFLER GUARD ASSEMBLY



1. FOUR STYLES AVAILABLE
2. MOUNTING CLAMPS INCLUDED WITH GUARD
3. GUARD MOUNTS TO A 5" TUBE

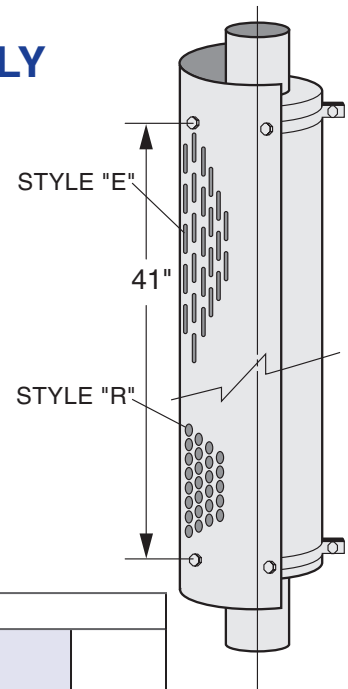
FOUR STYLES OF GUARDS ARE AVAILABLE		
VENDOR	DESCRIPTION	STYLE
KENWORTH.....	ROUND HOLES .....	R
PETERBILT .....	VERTICAL SLOTS .....	E
FREIGHTLINER.....	HORIZONTAL SLOTS.....	F
SPECIAL .....	NO HOLES .....	N

360° MUFFLER GUARD PART NO. 82						
MUFFLER BODY DIA.	ROUND HOLE STYLE R PART NO.	VERTICAL SLOTS STYLE E PART NO.	HORIZONTAL SLOTS STYLE F PART NO.	NO HOLES STYLE N PART NO.	FINISH	LENGTH
9"	82R-90048SP	82E-90048SP	82F-90048SP	82N-90048SP	STAINLESS POLISH	48"
10 1/8"	82R-101248SP	82E-101248SP	82F-101248SP	82N-101248SP	STAINLESS POLISH	48"

## 180° MUFFLER GUARD ASSEMBLY

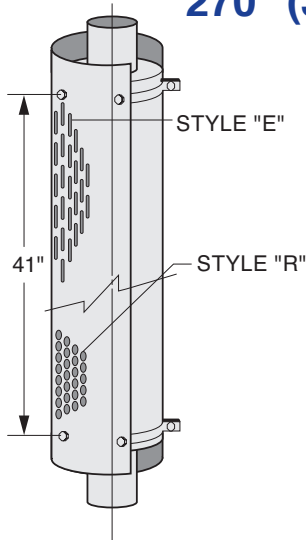
1. FOUR STYLES AVAILABLE
2. MOUNTING CLAMPS INCLUDED WITH GUARD
3. GUARD MOUNTS TO THE MUFFLER

FOUR STYLES OF GUARDS ARE AVAILABLE		
VENDOR	DESCRIPTION	STYLE
KENWORTH.....	ROUND HOLES .....	R
PETERBILT .....	VERTICAL SLOTS .....	E
FREIGHTLINER.....	HORIZONTAL SLOTS.....	F
SPECIAL .....	NO HOLES .....	N



180° MUFFLER GUARD PART NO. 83						
MUFFLER BODY DIA.	ROUND HOLE STYLE R PART NO.	VERTICAL SLOTS STYLE E PART NO.	HORIZONTAL SLOTS STYLE F PART NO.	NO HOLES STYLE N PART NO.	FINISH	LENGTH
9"	83R-90048SP	83E-90048SP	83F-90048SP	83N-90048SP	STAINLESS POLISH	48"
10 1/8"	83R-101248SP	83E-101248SP	83F-101248SP	83N-101248SP	STAINLESS POLISH	48"

## 270° (3/4) MUFFLER GUARD ASSEMBLY



1. FOUR STYLES AVAILABLE
2. MOUNTING CLAMPS INCLUDED WITH GUARD
3. GUARD MOUNTS TO THE MUFFLER

FOUR STYLES OF GUARDS ARE AVAILABLE		
VENDOR	DESCRIPTION	STYLE
KENWORTH.....	ROUND HOLES .....	R
PETERBILT .....	VERTICAL SLOTS .....	E
FREIGHTLINER .....	HORIZONTAL SLOTS.....	F
SPECIAL .....	NO HOLES .....	N

270° MUFFLER GUARD PART NO. 84						
ROUND HOLE STYLE R PART NO.	VERTICAL SLOTS STYLE E PART NO.	HORIZONTAL SLOT STYLE F	NO HOLES STYLE N PART NO.	FINISH	LENGTH	MUFFLER BODY DIA.
84R-90048SP	84E-90048SP	84F-90048SP	84N-90048SP	STAINLESS POLISH	48"	9"
84R-101248SP	84E-101248SP	84F-101248SP	84N-101248SP	STAINLESS POLISH	48"	10 <sup>1</sup> / <sub>8</sub> "

## 180° AERODYNAMIC MUFFLER GUARD ASSEMBLY

POLISHED STAINLESS STEEL

- FOUR STYLES AVAILABLE
- AERODYNAMIC DESIGN
- MOUNTING CLAMPS INCLUDED WITH GUARD
- GUARD MOUNTS TO THE MUFFLER

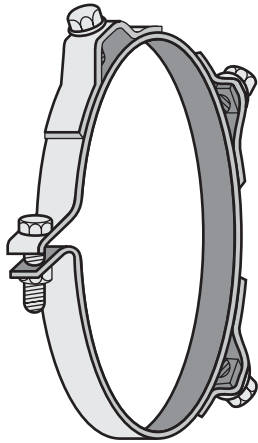
FOUR STYLES OF GUARDS ARE AVAILABLE		
VENDOR	DESCRIPTION	STYLE
KENWORTH.....	ROUND HOLES .....	R
PETERBILT .....	VERTICAL SLOTS .....	E
FREIGHTLINER.....	HORIZONTAL SLOTS.....	F
SPECIAL .....	NO HOLES .....	N



180° MUFFLER GUARD PART NO. 83J					
ROUND HOLE STYLE R PART NO.	VERTICAL SLOTS STYLE E PART NO.	HORIZONTAL SLOT STYLE F	NO HOLES STYLE N PART NO.	LENGTH	MUFFLER BODY DIAMETER
83JR-90048SP	83JE-90048SP	83JF-90048SP	83JN-90048SP	48"	9"
83JR-101248SP	83JE-101248SP	83JF-101248SP	83JN-101248SP	48"	10 <sup>1</sup> / <sub>8</sub> "

FINISH = POLISHED STAINLESS STEEL  
MOUNTING BRACKET CLAMP P.N. 85JC-900-3Z

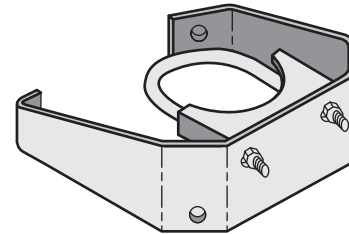
## MUFFLER SHIELD STACK CLAMP



SIZE	PART NO.	USED ON SHIELD NO.
4"	85SC-400-3N	81 & 82
5"	85SC-500-3N	81 & 82
6"	85SC-600-3N	81 & 82
9"	85SC-900-3N	83
10 <sup>1</sup> / <sub>8</sub> "	85SC-1012-3N	83
9"	85SC-900-4N	84
10 <sup>1</sup> / <sub>8</sub> "	85SC-1012-4N	84
8"	85SC-800-3N	80

MOUNTING LUGS 3 = -3N  
MOUNTING LUGS 4 = -4N

## MUFFLER SHIELD GUARD MOUNTING CLAMP



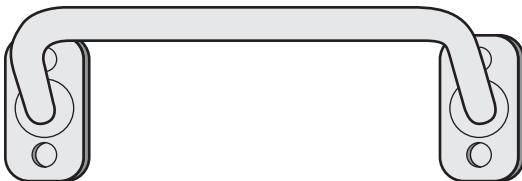
USED ON 360° MUFFLER GUARD

STACK SIZE	PART NO.	USED ON SHIELD NO.
5"	85SW-900-CP	82
5"	85SW-1012-CP	82

## GRAB HANDLES

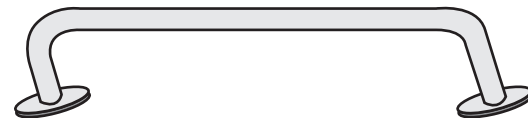
- APPLICATIONS: TRUCKING, MARINE, MEDICAL USES.
- CUSTOM DESIGNS AND LENGTHS AVAILABLE UPON REQUEST.

**NOTE:** THESE GRAB HANDLES FIT IN ALL SLOTTED AND HOLED MUFFLER GUARDS & STEEL GUARDS.



### STYLE 85CM

PART NO.	LENGTH
85CM-20SP	20"
85CM-27 <sup>1</sup> / <sub>2</sub> SP	27 <sup>1</sup> / <sub>2</sub> "
85CM-36SP	36"

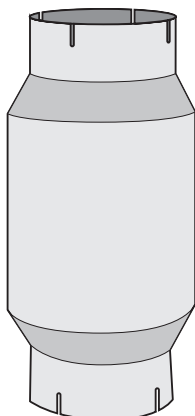


### STYLE 85GH

PART NO.	LENGTH
85GH-12SP	12"
85GH-18SP	18"
85GH-24SP	24"

"SP" INDICATES STAINLESS POLISHED

## UNDER CARRIAGE RESONATOR FOR ADDITIONAL SOUND CONTROL



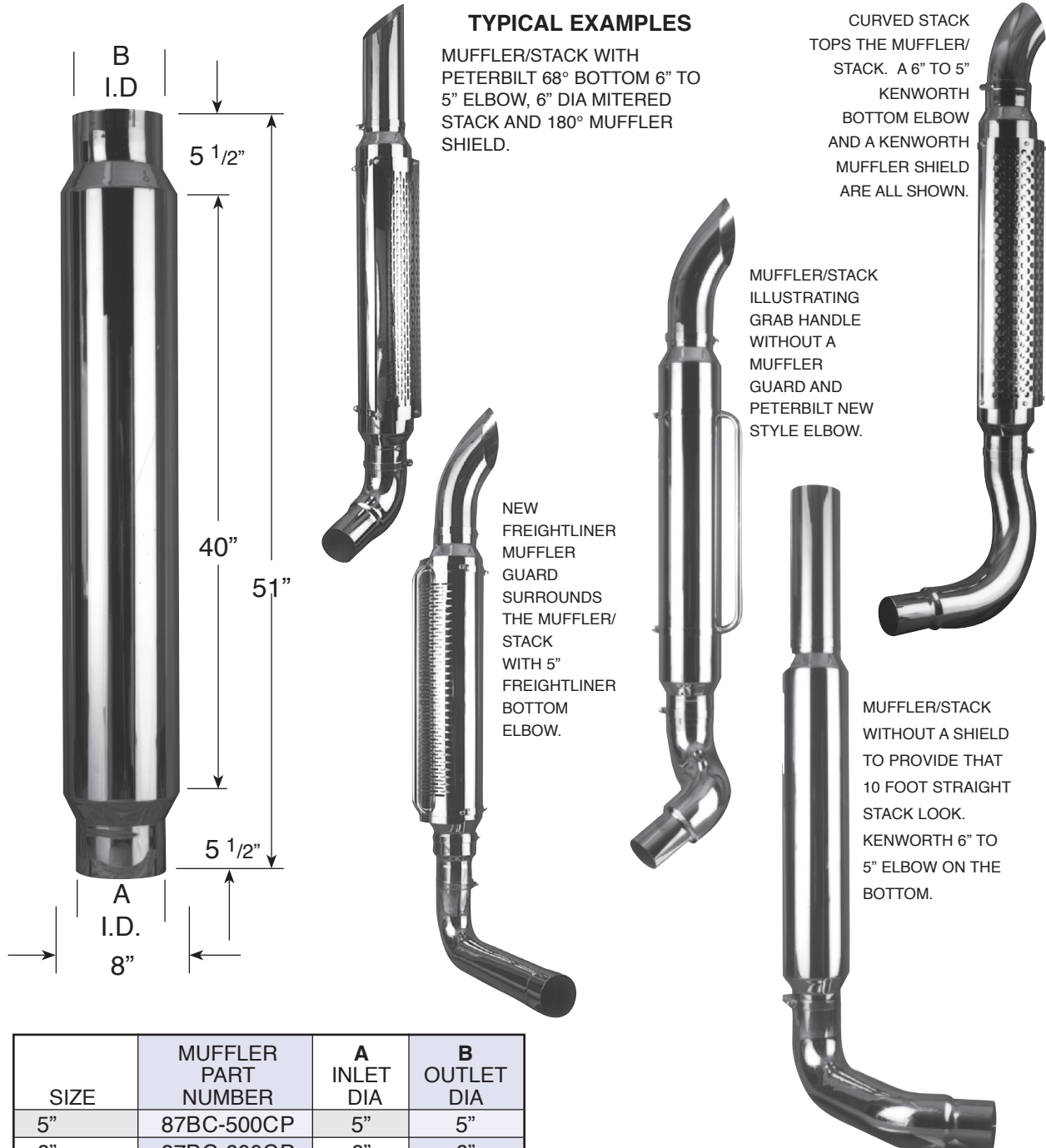
REDUCES EXHAUST NOISE BY 3 TO 6 DBA WHEN INSTALLED IN EXHAUST BEFORE THE MUFFLER. STRAIGHT THROUGH DESIGN DOES NOT INCREASE BACK PRESSURE.

PART NO.	BODY DIA.	BODY LENGTH
87BC-500-145	8"	10"
87BC-500-624	8"	26"
87BC-500-674	8"	20"

## DYNAFLEX MUFFLER / STACKS

### 87 BC SERIES

- BEAUTIFUL POLISHED CHROME FINISH
- INTERCHANGEABLE WITH ALL STACKS AND ELBOWS
- LOW BACK PRESSURE DROP
- GREAT LOOKING, STREAMLINE DESIGN
- EXCELLENT NOISE REDUCTION



#### TYPICAL EXAMPLES

MUFFLER/STACK WITH PETERBILT 68° BOTTOM 6" TO 5" ELBOW, 6" DIA MITERED STACK AND 180° MUFFLER SHIELD.

CURVED STACK TOPS THE MUFFLER/STACK. A 6" TO 5" KENWORTH BOTTOM ELBOW AND A KENWORTH MUFFLER SHIELD ARE ALL SHOWN.

MUFFLER/STACK ILLUSTRATING GRAB HANDLE WITHOUT A MUFFLER GUARD AND PETERBILT NEW STYLE ELBOW.

NEW FREIGHTLINER MUFFLER GUARD SURROUNDS THE MUFFLER/STACK WITH 5" FREIGHTLINER BOTTOM ELBOW.

MUFFLER/STACK WITHOUT A SHIELD TO PROVIDE THAT 10 FOOT STRAIGHT STACK LOOK. KENWORTH 6" TO 5" ELBOW ON THE BOTTOM.

SIZE	MUFFLER PART NUMBER	A INLET DIA	B OUTLET DIA
5"	87BC-500CP	5"	5"
6"	87BC-600CP	6"	6"
5" TO 6"	87BC-6050CP	5"	6"

Patent Applied

© Copyright 2008 Dynaflex Products

## DYNAFLEX CHROME SHIELDS

87 BC SERIES ACCESSORIES

ALL GUARDS HAVE FOLDED EDGES AND ROUNDED CORNERS.

120° SHIELDS MOUNT TO BODY OF MUFFLER



STYLE E  
PETERBILT STYLE



STYLE R  
KENWORTH STYLE



STYLE F  
FREIGHTLINER STYLE



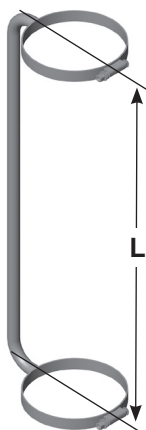
STYLE N  
NO HOLES

120° MUFFLER GUARDS- MOUNTING CLAMPS INCLUDED (85BC-800-3CP)

SIZE	STYLE E PART NO.	STYLE R PART NO.	STYLE F PART NO.	STYLE N PART NO.	LENGTH
8"	80R-80036SP	80E-80036SP	80F-80036SP	80N-80036SP	36"

## GRAB HANDLES

GRAB HANDLES MOUNT DIRECT TO THE STACK, MUFFLER OR TO THE GUARDS AND ARE POLISHED IN HIGH LUSTER CHROME. EACH HANDLE UTILIZES A HEAVY DUTY 1" DIAMETER TUBE.



MOUNTS DIRECT TO CHROME  
STACK OR CHROME MUFFLER  
WITH FULL BODY CLAMPS.

3 PIECE CONSTRUCTION



STACK/BODY MOUNT GRAB HANDLE

SIZE	PART NO.	LENGTH	USED ON STACK SIZE
5"	85B M-50045CP	45"	5"
6"	85B M-60045CP	45"	6"
7"	85B M-70045CP	45"	7"
8"	85B M-80033CP	33"	8" & 87B C

MUFFLER GUARD GRAB HANDLE WITH STRAP ENDS

SIZE	PART NO.	SHIELD LENGTH	SHIELD STYLE
5"	85S M-50045C P	45"	81 & 82 Style
6"	85S M-60045C P	45"	81 & 82 Style
7"	85S M-70045C P	45"	Style 81
8"	85S M-80033C P	33"	Style 80 for 87BC



## SPARK ARRESTORS

### Reduce Fire Hazards

Dynaflex Products certified spark arrestors remove nearly all dangerous sparks from the exhaust gases eliminating any fire hazards caused by internal combustion engines. Fire causing sparks are moved through the unit and forced into a designated arrestor chamber.

### Durability Plus Light Weight

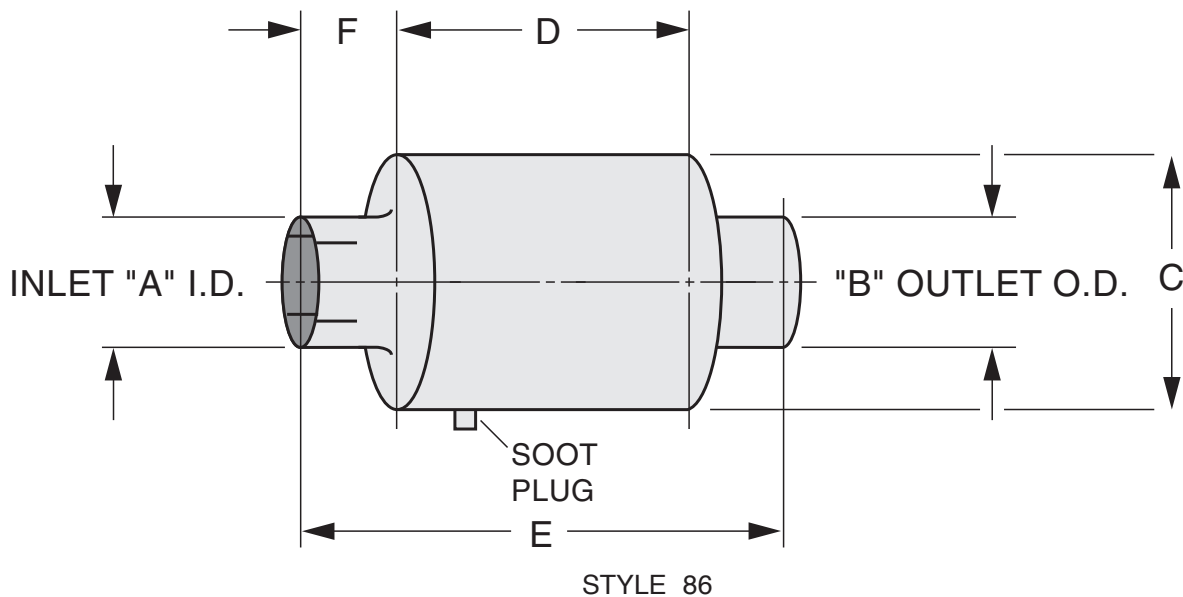
Each unit is constructed of aluminized steel throughout. Critical internal flanges are heavy gauged for longer service life, while the outer shell is lighter weight to reduce stress and vibration to the rest of the exhaust system. Aluminized steel is used to resist heat, corrosive gases, and to extend service life of arrestor.

### Two Way Performance

Dynaflex Spark Arrestors are certified for horizontal installations, with efficiencies that exceed 95%. C F M ratings are outlined on the back page.

### How To Select The Proper Arrestor

If diameter of the spark arrestor is as large as the exhaust pipe in diameter, restriction usually will be within acceptable engine limits. However, you should check exhaust C F M of engine against C F M rating of spark arrestor. Some applications (eg. turbo charged engines) may require larger spark arrestors and an adaptor will be needed to complete installation.



PART NO.	A INLET DIA.	B OUTLET DIA.	C BOBY DIA.	D BOBY DIA.	E OVERALL DIA.	F INLET DIA.	RATED CFM
86-200	2.00	2.00	6.13	8.00	11.63	1.63	208
86-250	2.50	2.50	6.13	9.75	14.00	2.25	348
86-300	3.00	3.00	6.13	11.75	16.63	2.50	555
86-350	3.50	3.50	8.00	12.25	18.13	3.00	767
86-400	4.00	4.00	8.00	15.75	20.63	2.50	1312
86-500	5.00	5.00	10.13	17.13	24.25	3.56	2080

ALL ARRESTORS EXCEED U.S. FORESTRY REQUIREMENTS.  
MODELS ARE QUALIFIED AND TESTED FOR HORIZONTAL INSTALLATIONS BY THE U.S. FORESTRY SERVICE.

## Dynaflex Quality Performance Mufflers

### Dynaflex Mufflers are designed to enable most trucks;

- OLD – To meet the 86 dBA Noise Law
- NEW – To meet the 83 dBA Noise Law

Total vehicle noise is a combination of several factors: engine exhaust, engine intake, fan, tire and mechanical noise. Since engine exhaust is usually a major contribution of noise, it is essential to reduce it significantly below the desired total vehicle noise level. For example: an older truck (pre-1978) to meet a total vehicle noise level of 86 dBA, it is necessary to reduce exhaust noise to at least 82 dBA, but preferably to 81 dBA or below, assuming other noise sources are normal – approximately 84 dBA. The lower the exhaust noise level, the less silencing treatment required for other noise sources.

### Testing and Development Program

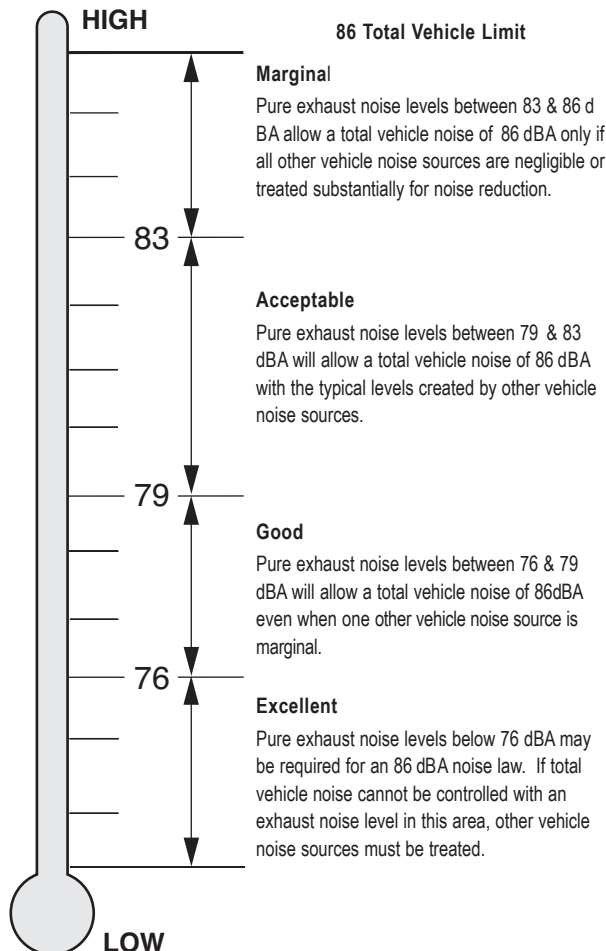
Dynaflex has been working closely with manufacturers to develop mufflers to control diesel engine exhaust noise. These mufflers have been thoroughly tested. The result is a select line of mufflers that cover the great majority of engines and exhaust systems. These mufflers have been engine tested under dynamometer load and are within the engine manufacturers restriction (back pressure) limits while providing the attenuation needed to meet applicable noise levels for old or new trucks.

### The Correct Muffler

The muffler you need is listed in the following pages under the make and model of your engine. Engineering data is directly in line with each suggested muffler part number.

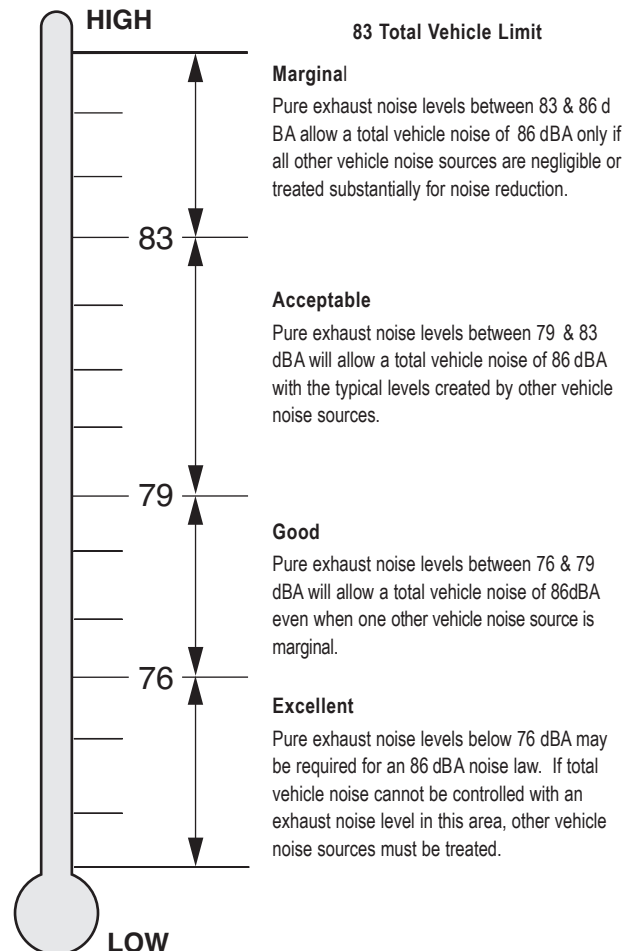
#### Pre-1978 Applications

The Pure Exhaust Noise Levels shown here can be used as illustrated to select a muffler for an 86 dBA noise law

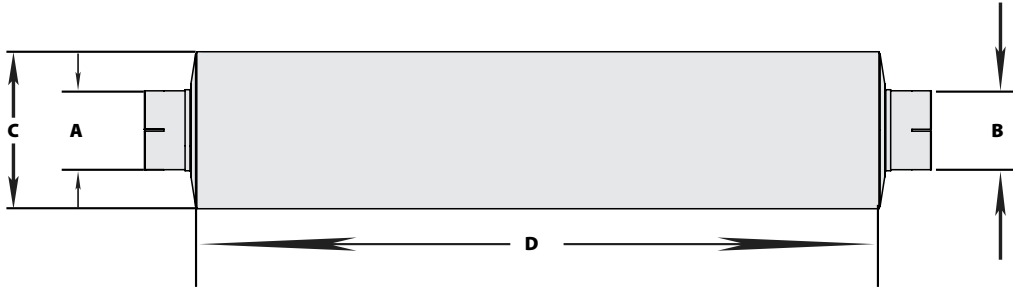


#### 1978 and later Applications

The Pure Exhaust Noise Levels shown here can be used as illustrated to select a muffler for an 83 dBA noise law.



## DYNAFLEX PRODUCTS MAX MUFFLER

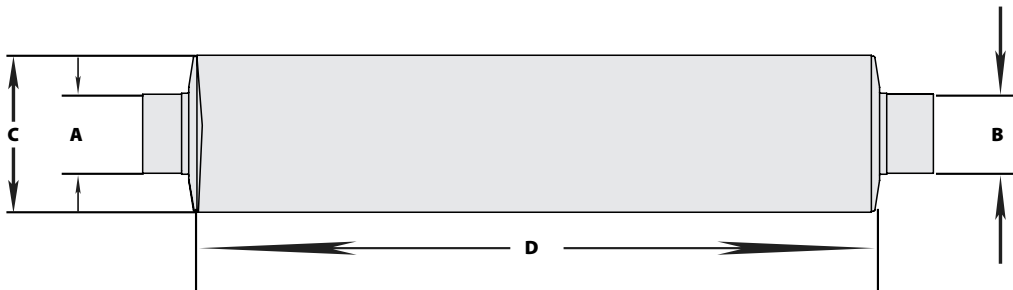


- This Muffler Provides The Maximum Sound Reduction Possible While maintaining a Free Flow Design And Maximum Performance.

PART NO.	A	B	C	D
87MAX-500-531	5"	5"	10.1"	44"
87MAX-500-531	5"	5"	10.1"	44"

- 4" CORE USED WITH DUAL STACKS ONLY.

## BEAUTIFUL 10" CHROME MUFFLER



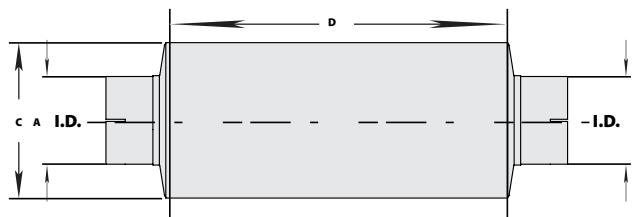
- Chrome Plated Muffler

- 304 Stainless Steel Polished Muffler

PART NO.	A	B	C	D
87Q-500-531CP	5"	5"	10.1"	44"
87Q-600-531CP	6"	6"	10.1"	44"
87Q-6050-531CP	6"	5"	10.1"	44"

PART NO.	A	B	C	D
87Q-500-531SP	5"	5"	10.1"	44"
87Q-600-531SP	6"	6"	10.1"	44"
87Q-6050-531SP	6"	5"	10.1"	44"

## UNDER CARRIAGE MUFFLER



- Current Under Carriage Muffler Lengths are 10", 20" and 26"
- This Muffler gives you a 36" length for greater sound control.

PART NO.	A	B	C	D
87Q-500-712	5" I.D.	5" I.D.	9"	36"
87Q-5150-130	5" O.D.	5" I.D.	10"	40"

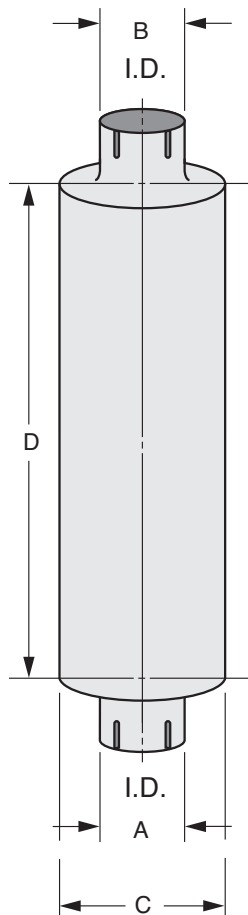
## MUFFLERS

### Features:

- Mufflers manufactured by Dynaflex Products
- Complete line for major truck engines, stationary engines, off-road vehicles, and other applications
- All mufflers designed to meet the federal noise control requirement
- Designed to offer lowest possible back pressure and sound attenuation
- Lower back pressure means improved fuel economy
- Constructed of heavy gauge T140 military grade aluminized steel throughout for long service life
- Domed end caps top and bottom eliminate moisture entrapment and rust
- All welded construction, no interlock or crimping

### MUFFLERS - STYLE 87Q

FREE FLOW DESIGN (EXCEPT WHERE INDICATED\*)

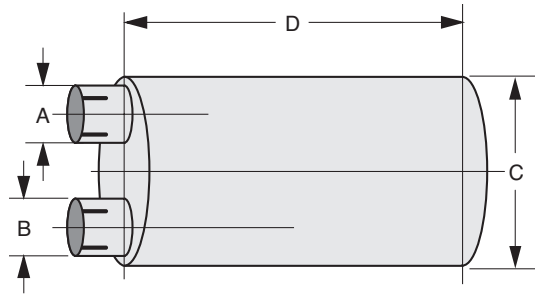


Part Number	A	B	C	D	Size
87Q-200-177*	2"	2"	5"	13"	2"
87Q-250-186	2½"	2½"	6"	16"	2½"
1. 87Q-300-187	3"	3"	6"	20"	3"
87Q-350-113	3½"	3½"	9"	44"	3½"
2. 87Q-400-127	4"	4"	9"	36"	4"
87Q-400-131	4"	4"	9"	44"	4"
3. 87Q-400-189	4"	4"	7"	26"	4"
87Q-400-594*	4"	4"	9"	20"	4"
87Q-4050-205	4"	5"	10⅛"	44"	4" to 5"
4. 87Q-4050-514	4"	5"	9"	44"	4" to 5"
5. 87Q-500-130	5"	5"	10⅛"	44"	5"
5. 87Q-500-132	5"	5"	9"	44"	5"
6. 87Q-500-145	5"	5"	9"	10"	5"
7. 87Q-500-624*	5"	5"	8"	26"	5"
6. 87Q-500-674*	5"	5"	9"	20"	5"

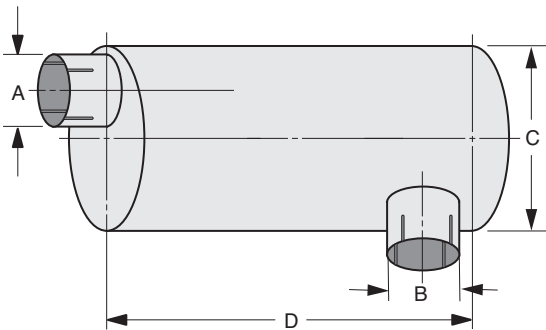
1. FORD MUFFLER
2. MACK MUFFLER
3. FREIGHTLINER AND FORD MUFFLER
4. I.H. NAVISTAR MUFFLER
5. CURRENT OEM REPLACEMENT MUFFLER
6. UNDER CARRIAGE MUFFLER
7. NEW 8 INCH DIA BODY UNDER CARRIAGE MUFFLER

NOTE: 87-400-108 REPLACED BY 87Q-400-131  
87-500-102 REPLACED BY 87Q-800-132

## MUFFLERS - STYLE 88Q

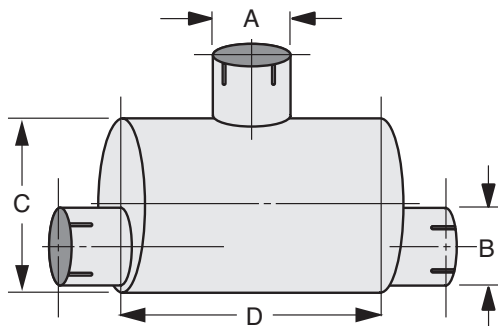


PART NO.	A	B	C	D	SIZE
88Q-200-250	2"	2"	6"	16"	2"
88Q-250-073	2½"	2½"	7"	20"	2½"
88Q-300-218	3"	3"	8½"	23¾"	3"
88Q-350-509	3½"	3½"	8¼" X 11½"	20"	3½"
88Q-400-133	4"	4"	10"	26"	4"
88Q-500-121	5"	5"	10" X 15"	26"	5"



## MUFFLERS - STYLE 88QH

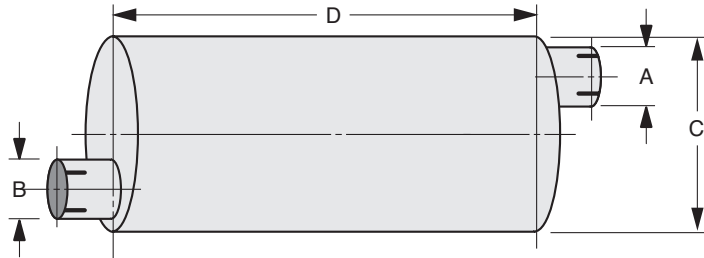
PART NO.	A	B	C	D	SIZE
88QH-200-190	2"	2"	6"	18¾"	2"
88QH-250-191	2½"	2½"	7"	20"	2½"
88QH-300-192	3"	3"	9"	26"	3"
88QH-400-148	4"	4"	10"	26"	4"
88QH-400-149	4"	4"	10" X 15"	16"	4"



## ROUND MUFFLER - STYLE 88QT

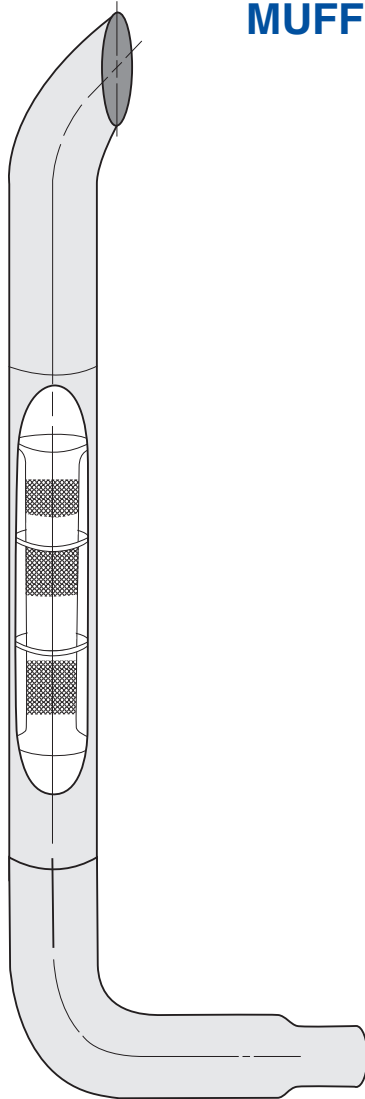
PART NO.	A	B	C	D	E	F	G	SIZE
88QT-500-305	5"	5"	10"	15"	21"	7½"	2⅔"	5"

## MUFFLERS - STYLE 89Q



PART NO.	A	B	C	D	SIZE
89Q-250-137	2½"	2½"	7"	23¾"	2½"
89Q-300-139	3"	3"	8"	26"	3"
89Q-350-106	3½"	3½"	8¼" X 11½"	26"	3½"
89Q-400-125	4"	4"	10" X 15"	26"	4"
89Q-400-153	4"	4"	8¼" X 11½"	24"	4"
89Q-4027-185	4"	DUAL 2¾"	8¼" X 11½"	26"	4" TO 2¾"
89Q-500-117	5"	5"	10" X 15"	36"	5"

## MUFFLER IN A STACK



Add "Q" to most chrome stack part numbers to order a Quiet Muffler built into the stack or spool piece.

**EXAMPLE:**

25ZP-DQ7050114CP








The Stack Muffler can be ordered separately.

STACK DIA.	PART NO.
6"	87Q-60038AZ
7"	87Q-70038AZ
8"	87Q-80038AZ


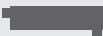

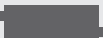
When ordered separately, the muffler must be forced into stack with pressure.

## ENGINEERING DATA



### CATERPILLAR DIESEL ENGINES • 1140 • 1145 • 1150 • 1160 • 3208N

MUFFLER STYLE		EXHAUST DIA	PART NO.	NOSE LEVEL dBA	BACK PRESSURE	
					MUFFLER INLET	ENGINE MANIFOLD
	SINGLE VERTICAL	4"	87Q-400-131	77.0	0.3	0.5
	DUAL VERTICAL	3½"	87Q-400-127	70.5	0.4	1.0
	SINGLE HORIZONTAL VERTICAL PIPE	4"	87Q-350-113	78.0	0.3	0.4
	SINGLE HORIZONTAL VERTICAL SIDE PIPE	4"	88Q-400-133	73.0	0.8	1.4
	SINGLE HORIZONTAL	4"	88QH-400-148	72.0	1.8	2.3
	DUAL HORIZONTAL	3"	89Q-400-054	77.5	0.7	1.3
	DUAL HORIZONTAL	3½"	89Q-400-125	74.5	1.0	1.6



### CATERPILLAR DIESEL ENGINES • 3208T

	SINGLE VERTICAL	4"	87Q-400-131	73.5	0.9	1.0
	SINGLE HORIZONTAL VERTICAL PIPE	4"	88QH-400-148	70.5	2.6	2.7
	SINGLE HORIZONTAL VERTICAL SIDE PIPE	4"	88Q-400-133	70.3	2.1	2.1
	SINGLE HORIZONTAL	4"	89Q-400-125	73.5	2.1	2.1



### CATERPILLAR DIESEL ENGINES • 3208T

	SINGLE VERTICAL	5"	87Q-500-132	76.5	0.3	0.5
			87Q-500-130	72.0	2.0	2.5
	DUAL VERTICAL	4"	87Q-400-131	72.5	0.2	0.5
		5"	87Q-500-102	76.5	1.8	2.2
			87Q-500-132	76.5	0.1	0.5
			87Q-500-130	73.0	0.5	1.0




**CATERPILLAR DIESEL ENGINES • 3406T(CONTINUED)**

MUFFLER STYLE		EXHAUST DIA	PART NO.	NOSE LEVEL dBA	BACK PRESSURE	
					MUFFLER INLET	ENGINE MANIFOLD
	SINGLE HORIZONTAL VERTICAL PIPE	5"	88Q-500-121	76.5	0.8	1.0
	SINGLE HORIZONTAL	5"	89Q-500-117	74.0	1.0	1.2




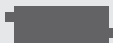
**CATERPILLAR DIESEL ENGINES • 3408N**

	SINGLE VERTICAL	5"	87Q-500-132	80.0	1.0	1.2
			87Q-500-130	74.0	2.6	3.0
	DUAL VERTICAL	5"	87Q-500-130	74.0	0.7	1.5

**CUMMINS DIESEL ENGINES • NH-220 • NH-230 • NHC-250 • SUPER 250**




	SINGLE VERTICAL	4"	87Q-400-131	81.0	0.5	1.0
			87Q-400-127	78.0	1.2	1.7
	SINGLE HORIZONTAL VERTICAL PIPE	4"	88Q-400-133	78.0	1.6	2.0
	SINGLE HORIZONTAL	4"	89Q-400-125	79.5	1.9	2.4

**CUMMINS DIESEL ENGINES • NH-220T • NH C-250T**







	SINGLE VERTICAL	4"	87Q-400-131	74.5	0.9	1.2
		5"	87Q-500-132	79.5	0.1	0.3
			87Q-500-102	77.5	1.7	2.0
			87Q-500-130	74.0	0.7	0.9
	SINGLE HORIZONTAL VERTICAL PIPE	4"	88Q-400-133	71.0	2.0	2.3
	SINGLE HORIZONTAL VERTICAL PIPE	4"	88QH-400-148	74.5	1.8	2.0
	SINGLE HORIZONTAL	4"	89Q-400-054	77.0	1.3	1.6
			89Q-400-125	75.0	2.0	2.4







**CUMMINS DIESEL ENGINES • NHCT-270 • NTC-290 • NTC-300 • NTC-335 • NTC-350 • NTC-400 • VT-903**

MUFFLER STYLE		EXHAUST DIA	PART NO.	NOSE LEVEL dBA	BACK PRESSURE	
					MUFFLER INLET	ENGINE MANIFOLD
	SINGLE VERTICAL	4"	87Q-400-131	80.0	2.0	2.5
		5"	87Q-500-132	80.0	0.5	1.0
			87Q-500-102	75.0	1.8	2.5
	DUAL VERTICAL	4"	87Q-400-131	79.0	1.3	1.9
		5"	87Q-500-132	79.5	0.3	0.5
			87Q-500-102	75.5	0.3	0.5
			87Q-500-130	73.0	0.3	0.5
	SINGLE HORIZONTAL	5"	88Q-500-121	79.5	1.1	1.8





**CUMMINS DIESEL ENGINES • KT-450**

	SINGLE VERTICAL	5"	87Q-500-130	77.5	2.8	3.0
	DUAL VERTICAL	4"	87Q-400-131	76.0	0.7	1.0
			87Q-400-127	73.0	1.7	2.0
		5"	87Q-500-102	80.0	2.0	2.5
87Q-500-130	76.5		1.1	1.5		
	SINGLE HORIZONTAL	5"	88Q-500-121	79.5	1.6	1.8
	DUAL HORIZONTAL	4"	88Q-400-133	73.5	1.5	1.7
		5"	88Q-500-121	79.0	1.6	1.8
	SINGLE HORIZONTAL	5"	89Q-500-117	79.5	2.1	2.3
	DUAL HORIZONTAL	4"	89Q-400-125	76.0	1.6	2.1
		5"	89Q-500-117	78.0	0.5	1.1


**CUMMINS DIESEL ENGINES • VT-225**

	SINGLE VERTICAL	4"	87Q-400-131	77.5	0.8	1.2
			87Q-400-127	70.5	2.0	2.4
	SINGLE HORIZONTAL VERTICAL PIPE	4"	88Q-400-133	73.0	1.2	1.6
	SINGLE HORIZONTAL VERTICAL PIPE	4"	88QH-400-148	72.5	2.2	2.5
	SINGLE HORIZONTAL	4"	89Q-400-125	73.5	2.0	2.3



**DETROIT DIESEL ENGINES • 6-71N**

MUFFLER STYLE		EXHAUST DIA	PART NO.	NOSE LEVEL dBA	BACK PRESSURE	
					MUFFLER INLET	ENGINE MANIFOLD
	SINGLE VERTICAL	4"	87Q-400-127	78.5	2.4	2.7
	SINGLE HORIZONTAL VERTICAL PIPE	4"	88Q-400-133	82.0	3.1	3.4
	SINGLE HORIZONTAL VERTICAL PIPE	4"	88QH-400-148	80.0	2.8	3.1
	SINGLE HORIZONTAL	4"	88Q-400-125	83.0	2.4	2.6







**DETROIT DIESEL ENGINES • 6-71T**

	SINGLE VERTICAL	4"	87Q-400-131	78.0	0.5	1.6
---	-----------------	----	-------------	------	-----	-----



**DETROIT DIESEL ENGINES • 6V-53N**

	DUAL VERTICAL	4"	87Q-400-127	77.5	2.1	3.1
	SINGLE HORIZONTAL VERTICAL PIPE	4"	88QH-400-148	79.0	2.1	3.1




**DETROIT DIESEL ENGINES • 6V-53T**

	SINGLE VERTICAL	4"	87Q-400-131	80.5	2.5	2.5
		5"	87Q-500-102	82.5	1.5	1.5
			87Q-500-130	79.5	1.5	1.5
	DUAL VERTICAL	4"	87Q-400-127	70.5	0.7	0.8
		5"	87Q-500-130	75.5	0.3	0.4
	SINGLE HORIZONTAL VERTICAL PIPE	5"	88Q-500-121	76.5	1.2	1.4
	DUAL HORIZONTAL	4"	88Q-400-133	79.6	0.7	0.8
	SINGLE HORIZONTAL	5"	89Q-500-117	80.5	1.1	1.2
	SINGLE HORIZONTAL	4"	89Q-400-125	76.0	0.8	1.0




**DETROIT DIESEL ENGINES • 6V-92T**

MUFFLER STYLE		EXHAUST DIA	PART NO.	NOSE LEVEL dBA	BACK PRESSURE	
					MUFFLER INLET	ENGINE MANIFOLD
	SINGLE VERTICAL	5"	87Q-500-130	78.5	1.9	2.2
	SINGLE HORIZONTAL	5"	88Q-500-121	75.0	1.7	2.0


**DETROIT DIESEL ENGINES • 8.2 L-N**

	SINGLE VERTICAL	4"	87Q-400-131	80.5	0.5	0.6
	SINGLE HORIZONTAL VERTICAL PIPE	4"	87Q-400-127	70.5	0.9	1.1
	SINGLE HORIZONTAL VERTICAL PIPE	4"	88Q-400-133	75.0	0.9	1.1
	SINGLE HORIZONTAL	4"	88QH-400-148	73.5	1.5	1.6




**DETROIT DIESEL ENGINES • 8.2 L-T**

	SINGLE VERTICAL	4"	87Q-400-131	73.6	1.1	1.3
			87Q-400-127	71.3	2.3	2.5
	SINGLE HORIZONTAL VERTICAL PIPE	4"	88Q-400-133	69.0	1.8	2.0
	SINGLE HORIZONTAL	4"	89Q-400-125	77.0	1.6	1.8
				74.5	2.5	2.7


**DETROIT DIESEL ENGINES • 8V-71N**

	SINGLE VERTICAL	5"	87Q-500-130	81.0	1.9	3.8
---	-----------------	----	-------------	------	-----	-----




**DETROIT DIESEL ENGINES • 8V-71T**

	SINGLE VERTICAL	4"	87Q-400-131	78.5	0.5	1.6
		5"	87Q-500-132	82.5	0.2	0.3
			87Q-500-102	76.0	1.9	2.0
			87Q-500-130	73.5	0.7	0.9
	SINGLE HORIZONTAL VERTICAL PIPE	5"	88Q-500-121	83.0	1.8	2.1
	DUAL HORIZONTAL	4"	89Q-400-125	75.0	1.5	2.4
		5"	88Q-500-121	81.0	0.4	0.5



**DETROIT DIESEL ENGINES • 8V-71T (CONTINUED)**

MUFFLER STYLE		EXHAUST DIA	PART NO.	NOSE LEVEL DBA	BACK PRESSURE	
					MUFFLER INLET	ENGINE MANIFOLD
	DUAL HORIZONTAL	4"	89Q-400-125	75.0	1.5	2.4



**DETROIT DIESEL ENGINES • 8V-92T**

	DUAL VERTICAL	4"	87Q-400-131	77.5	1.2	1.7
		5"	87Q-500-132	82.0	0.7	0.8
			87Q-500-102	78.0	2.1	2.5
			87Q-500-130	74.0	1.1	1.5
	DUAL HORIZONTAL	5"	88Q-500-121	82.0	0.6	1.1
	DUAL HORIZONTAL	5"	89Q-500-117	78.0	0.8	1.3



**DETROIT DIESEL ENGINES • 12V-71N**

	DUAL HORIZONTAL	4"	87Q-400-127	80.5	2.4	2.7
	DUAL HORIZONTAL VERTICAL SIDE PIPE	4"	88QH-400-148	82.0	2.8	3.1

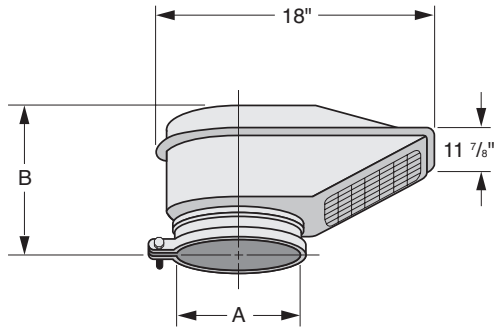
**INTERNATIONAL HARVESTER DIESEL ENGINES • DT-466**

	SINGLE VERTICAL	4"	87Q-400-131	73.5	0.2	0.6
	SINGLE HORIZONTAL	4"	89Q-400-125	73.5	1.5	1.9

**MACK DIESEL ENGINES • ENDT-675 • ENDT-673C**

	SINGLE HORIZONTAL	4"	87Q-400-131	71.5	0.9	1.3
		5"	87Q-400-132 87Q-400-130	76.5 69.0	0.1 0.6	0.4 1.0
	DUAL VERTICAL	4"	88QH-400-148	74.0	0.2	0.3

## INLET CAP FORCE AIR



STANDARD FINISH IS BLACK PAINT

SIZE	PART NO.	A	B	WT. LBS.
5½"	90CF-550	5½"	9 <sup>5</sup> / <sub>8</sub> "	5
6"	90CF-600	6"	9½"	5
7"	90CF-700	7"	9 <sup>9</sup> / <sub>16</sub> "	5
8"	90CF-800	8"	8 <sup>1</sup> / <sub>8</sub> "	5

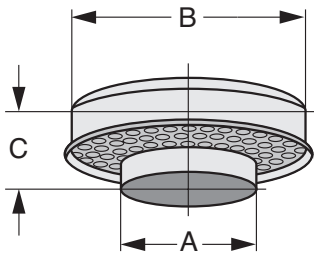
ALTERNATE MATERIAL:

ADD CP FOR RUST PROOF CHROME PLATED FINISH

EXAMPLE:

90CF-700CP

## AIR INLET CAPS GENERAL PURPOSE – CJ



STANDARD FINISH IS BLACK PAINT

SIZE	PART NO.	A	B	C	WT. LBS.
7"	90CJ-700	7"	15 <sup>1</sup> / <sub>16</sub> "	6¼"	4.7
8"	90CJ-800	8"	15 <sup>1</sup> / <sub>16</sub> "	6¼"	4.7

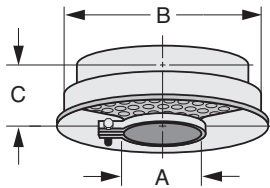
ALTERNATE MATERIAL:

ADD CP FOR CHROME PLATED FINISH

EXAMPLE:

90CJ-700CP

## LOW VELOCITY RAIN CAP – CL



STANDARD FINISH IS BLACK PAINT

SIZE	PART NO.	A	B	C	WT. LBS.
5½"	90CL-550	5½"	16 <sup>1</sup> / <sub>16</sub> "	4¼"	5.5
6"	90CL-600	6"	16 <sup>1</sup> / <sub>16</sub> "	4¼"	5.5
7"	90CL-700	7"	16 <sup>1</sup> / <sub>16</sub> "	4¼"	6.0

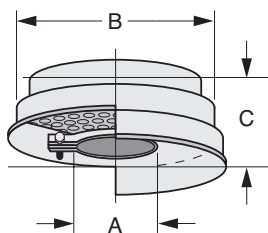
ALTERNATE MATERIAL:

ADD CP FOR CHROME PLATED FINISH

EXAMPLE:

90CL-700CP

## LOW VELOCITY CAP – CR WITH 180° RAIN SHIELD



STANDARD FINISH IS BLACK PAINT

SIZE	PART NO.	A	B	C	WT. LBS.
4"	90CR-600	6"	16 <sup>1</sup> / <sub>16</sub> "	6 <sup>13</sup> / <sub>16</sub> "	6.8
5"	90CR-700	7"	16 <sup>1</sup> / <sub>16</sub> "	6 <sup>13</sup> / <sub>16</sub> "	6.8
5½"	90CR-850	8"	18 <sup>1</sup> / <sub>8</sub> "	7¾"	9.3

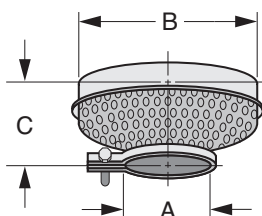
ALTERNATE MATERIAL:

ADD CP FOR CHROME PLATED FINISH

EXAMPLE:

90CR-700CP

## GENERAL PURPOSE STANDARD CAP – CS



STANDARD FINISH IS BLACK PAINT

SIZE	PART NO.	A	B	C	WT. LBS.
4"	90CS-400	4"	8"	4½"	3.2
5"	90CS-500	5"	9½"	4¾"	3.6
5½"	90CS-550	5½"	12 <sup>1</sup> / <sub>16</sub> "	4¾"	4.0
6"	90CS-600	6"	12 <sup>1</sup> / <sub>16</sub> "	5½"	4.5
7"	90CS-700	7"	13 <sup>9</sup> / <sub>16</sub> "	5½"	4.5

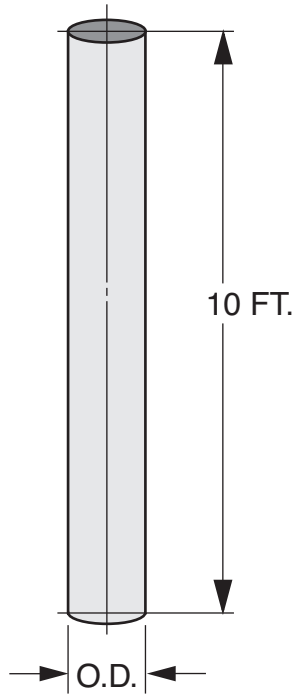
ALTERNATE MATERIAL:

ADD CP FOR CHROME PLATED FINISH

EXAMPLE:

90CS-700CP

## ALUMINUM TUBING

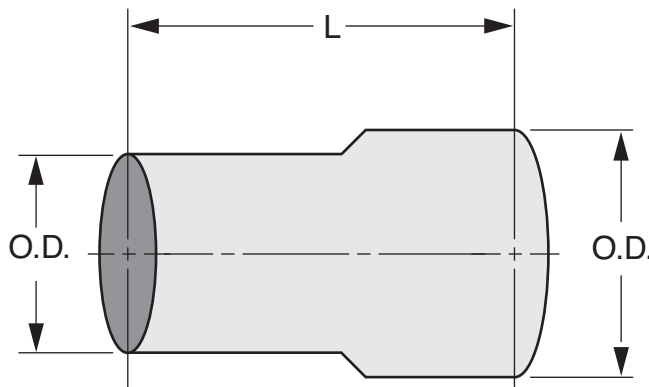


MATERIAL: ALUMINUM  
CONSTRUCTION  
GRADE

O.D. SIZE	PART NO.
2"	90-200
3"	90-300
4"	90-400
5"	90-500
5½"	90-550
6"	90-600
7"	90-700
8"	90-800

## EXPANDERS – REDUCERS

STYLE 90A

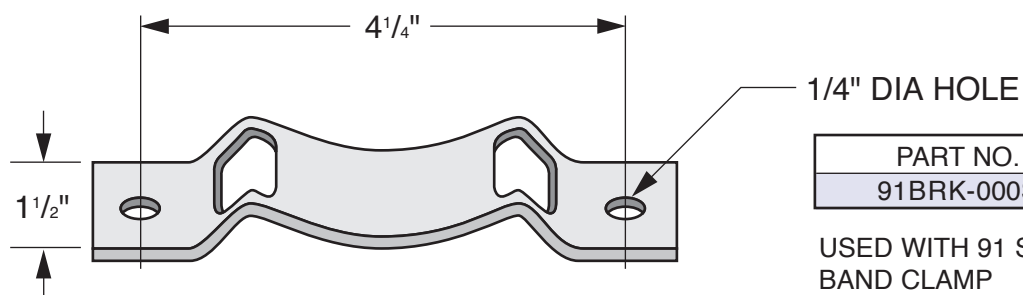


MATERIAL: ALUMINIZED STEEL

O.D. SIZE	PART NO.	L
2½" - 3"	90A-2530	5"
3" - 3½"	90A-3035	5"
3" - 4"	90A-3040	7"
3½" - 4"	90A-3540	7"
3½" - 4½"	90A-3545	7"
3½" - 5"	90A-3550	8"
4" - 4½"	90A-4045	7"
4" - 5"	90A-4050	8"
5" - 5½"	90A-5055	8"
5" - 6"	90A-5060	8"

## CRADLE BRACKET – STAINLESS STEEL

MATERIAL: STAINLESS STEEL





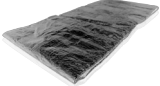
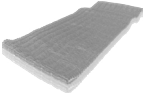





1/4" DIA HOLE

PART NO.
91BRK-000S

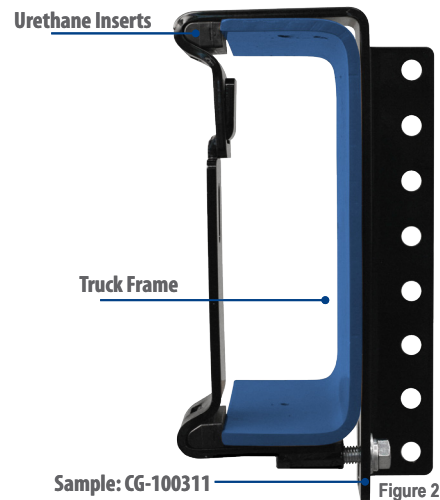
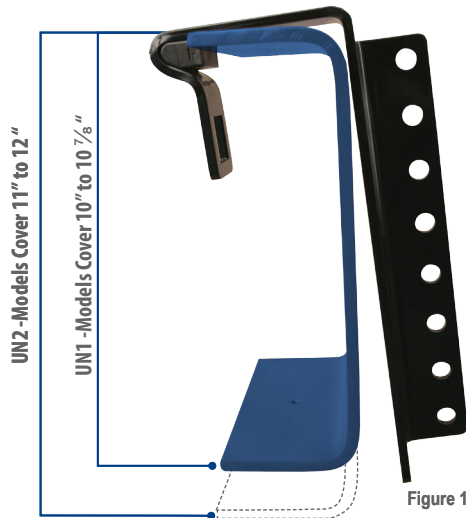
USED WITH 91 SERIES  
BAND CLAMP  
SIZE: 350 THRU 550

## THERMOLASTIC INSULATION WRAP

The Dynaflex Products Thermolastic Insulation Wrap has been specially developed to provide a highly efficient insulation medium in a simple to fit format. The insulation system consists of a high temperature ECR glass inner layer that is wrapped with a self amalgamating protective outer wrap. The system is capable of handling temperatures upwards of 700 degrees Celsius and is effective at keeping heat both in what you have wrapped and away from its surroundings.

Images	Part No.	Product /Description	Technical Specifications
	90PW-000-4	<ul style="list-style-type: none"> <li>• Reflective bend wrap: 4" pipe.</li> <li>• Each segment is equivalent to 15 degrees on a bend (use 4 for 90 degree)</li> </ul>	17" long x 3" wide x .629" thick
	90PW-000-5	<ul style="list-style-type: none"> <li>• Reflective bend wrap: 5" pipe.</li> <li>• Each Segment is equivalent to 15 degrees on a bend (use 4 for 90 degree).</li> </ul>	20" long x 3" wide x .629" thick
	90RG-000	<ul style="list-style-type: none"> <li>• Reflective Insulation Pad</li> </ul>	8.5" x 38.5"
	90NRG-000	<ul style="list-style-type: none"> <li>• Non-reflective insulation pad.</li> </ul>	8.5" x 38.5"
	90TT-200-217	<ul style="list-style-type: none"> <li>• Reflective insulation cuff.</li> </ul>	18' overall length of roll x 2" wide.
	90ST-100-390	<ul style="list-style-type: none"> <li>• Installation tape.</li> </ul>	<ul style="list-style-type: none"> <li>• -Special glass tape for alleviating problems with unwrapping during installations.</li> <li>• -1" wide.</li> </ul>
	90SR-000	<ul style="list-style-type: none"> <li>• High Temperature installation adhesive</li> </ul>	1 tube is suggested per roll of Thermolastic.
	90T-300-197	<ul style="list-style-type: none"> <li>• Thermolastic protective outer layer.</li> <li>• High temperature self-amalgamating.</li> </ul>	16' roll x 3" wide
	90I-400-217	<ul style="list-style-type: none"> <li>• Reflective ECR glass insulation.</li> <li>• For use underneath "90T-300-197" protective outer layer</li> </ul>	18' roll x 4" wide

# Never Drill or Weld a Truck Frame Again



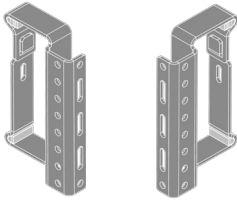
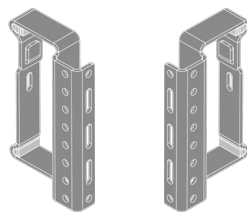


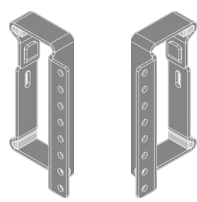
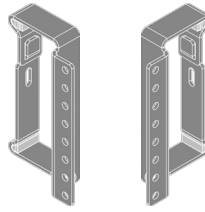
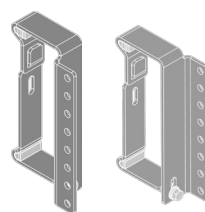
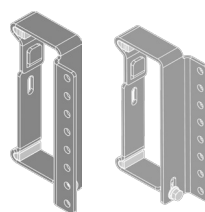
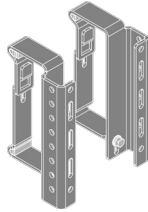
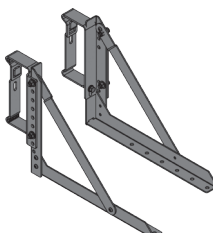
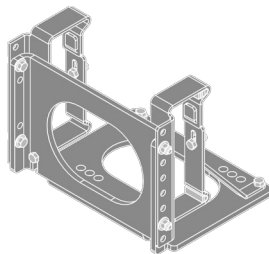
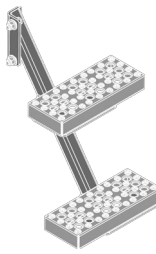

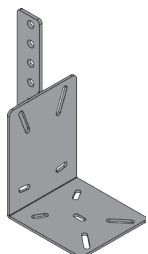
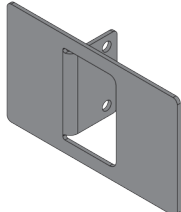
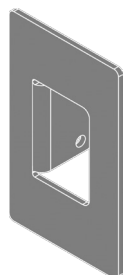
Chassis Grabber mounting brackets come in left and right models, for either 10" to 10 7/8" (UN1) or 11" to 12" (UN2) frames, and the mounting holes are either perpendicular (PER) or parallel (PAR) to the truck frames. To determine left and right orientation, stand directly in front of (and facing) the frame rail. Both of the perpendicular and parallel models have a "steel plate" that lays against this frame rail. A parallel Chassis Grabber comes directly out from the "steel plate", to which it is welded, and either bends to the left (left models) or right (right models). The parallel piece includes mounting holes for accessories that are mounted using bolts on the rear side. Chassis Grabber recommends stainless bolts, which are not included. A perpendicular Chassis Grabber comes directly out from the "steel plate" from which it is welded, with no extra bend. If the perpendicular plate, which has mounting holes, is welded on the left side of the "steel plate" it is a left model. Likewise, if the perpendicular plate, which also has mounting holes, is welded on the right side of the "steel plate" it is a right model.

Each Chassis Grabber comes with a top bracket (goes over the top of the truck frame), an interlocking bottom bracket (goes inside the truck frame), a hardware kit consisting of a grade 5 1/2" x 2-13 inch tap bolt, 1/2" lock washer, and 1/2" SAE flat washer, and a set of urethane inserts of varying thicknesses that are installed by the mechanic for a perfect fit across a wide range of Class 8 truck frame dimensions.

The "C" frame truck rails are different in various ways, and do not have critically defined measurements or equal OEM specifications. What keeps the Chassis Grabber clinging to the truck frame is tension or friction, and not drilled and tapped bolts into the hard steel rail. It is therefore critical to achieve a proper fit when installing the Chassis Grabber. To accomplish this, one can see on the sketches where the urethane "base" insert part is installed in the bend. A second urethane insert referred to as the "cap" (no holes in it) is also installed on top of the "base" to begin with. The rule of thumb is easy. When the top bracket is hung on the truck frame, after installing the urethane insert base and cap, the bottom hanging over the front of the truck frame should have about a one inch gap (see Figure 1). Insert and install the bottom bracket with another urethane insert "base", and the same style "cap" on top of it. Then continue to tighten the bolt and washers, as seen in Figure 2 on the bottom right. Inside that one inch measurement, more and more resistance or tension is brought to bear. If there is little or no resistance felt at one inch, and again while tightening the bolt, add another urethane insert on top, or the bottom, or both. The opposite is also true. If significant resistance is encountered at 1 inch or more from the vertical position, remove or use thinner inserts.





<p><b>Single Parallel, UN1</b></p>  <p>Part Number: Left <b>CG-100315</b> Right <b>CG-100316</b></p>	<p><b>Single Parallel, UN2</b></p>  <p>Part Number: Left <b>CG-100347</b> Right <b>CG-100348</b></p>	<p><b>Inclusive Kits Parallel, UN1</b></p>  <p>Part Number: <b>CG-100315-100316</b></p>	<p><b>Inclusive Kits Parallel, UN2</b></p>  <p>Part Number: <b>CG-100347-100348</b></p>
<p><b>Single Perpendicular, UN1</b></p>  <p>Part Number: Left <b>CG-100311</b> Right <b>CG-100312</b></p>	<p><b>Single Perpendicular, UN2</b></p>  <p>Part Number: Left <b>CG-100345</b> Right <b>CG-100346</b></p>	<p><b>Inclusive Kits Perpendicular, UN1</b></p>  <p>Part Number: <b>CG-100311-100312</b></p>	<p><b>Inclusive Kits Perpendicular, UN2</b></p>  <p>Part Number: <b>CG-100345-100346</b></p>
 <p><b>Hydraulic Cooler/Chain Holder, UN1</b> Part Number: <b>CG-100343</b></p> <p><b>Hydraulic Cooler /Chain Holder, UN2</b> Part Number: <b>CG-100366</b></p>		 <p><b>18 inch Toolbox Mount</b> Part Number: <b>CG-100285</b></p> <p><b>24 inch Toolbox Mount</b> Part Number: <b>CG-100269</b></p>	
<p><b>Blower Mount (CG not included)</b></p>  <p>Part Number: <b>CG-100265</b></p>	<p><b>Pedestal Step</b></p>  <p>Part Number: <b>CG-100320</b></p>	<p><b>Bracket, 90° Universal Pair</b></p>  <p>Part Number: <b>CG-100277</b></p>	<p><b>Fire Extinguisher Support Bracket</b></p>  <p>Part Number: <b>CG-100330</b></p>
<p><b>Bracket, Horizontal Mount</b></p>  <p>Universal mounting bracket designed to mount a wide range of lighter weight equipment with a vertical form factor. Dimensions are 6" wide by 10" tall. Requires one base Chassis Grabber bracket. Chassis Grabber not included.</p> <p>Part Number: <b>CG-100266</b></p>		<p><b>Bracket, Vertical Mount</b></p>  <p>Universal mounting bracket designed to mount a wide range of lighter weight equipment with a horizontal form factor. Dimensions are 10" wide by 6" tall. Requires one base Chassis Grabber bracket.</p> <p>Part Number: <b>CG-100267</b></p>	

# Terms and Conditions

**\*\*These Terms and Conditions can change at any time.**

## Prices

Prices are subject to change without notice. This price list supersedes all previous price lists. **All pricing discrepancies must be reported within 30 days of the invoice date.**

## Minimum Order

A **\$100.00 minimum** order is required to process any order. Any order placed not at the minimum will automatically be billed at the minimum order requirement.

## Quantity

Sold in Standard Cartons only (a 10% surcharge will be added for broken case quantities).

## Terms

1% - 10, Net 30 days with approved credit (All export shipments to be paid in U.S. dollars).

## Credit

All orders will be shipped COD, or cash in advance, unless an open account has been established.

## Freight – USA only

Freight Collect – All orders under \$1,000.00  
Freight Prepaid – All orders over \$1,000.00

## Freight – Export only

Freight Collect  
(All shipping costs, including duties, brokerage fees, drayage, etc. will be at purchaser's cost).

## Shipping Locations

Main Warehouse – Los Angeles, CA  
Regional Warehouse – Dallas, TX  
Regional Warehouse – Kansas City, MO

## Shipping Errors

Only merchandise shipped in error will be exchanged or qualify for a credit. Goods must be returned prepaid within 30 days of receipt with a Return Goods Authorization (RGA). Dynaflex Products has the right to inspect goods prior to shipment for credit. Upon acceptance for responsibility by Dynaflex Products, all shipping charges will be credited. The merchandise must be carefully wrapped and boxed to prevent damage. Ship freight prepaid to Dynaflex Products (location of shipping destination to be determined by a Dynaflex factory representative only).

## Returns and Adjustments

Dynaflex Products will allow up to one stock return per year, not to exceed 5% of the previous years purchases. Each approved Return will require a 15% restocking charge and a two for one offsetting order. Only current catalog items in resalable condition, and boxed will be allowed credit. All returns must be a minimum of \$150.00 and have prior written approval. There is a 15 Day deadline to get an RGA back to us from date of issue if later then the deadline the RGA will be voided. RGA's must be returned in full if not the remaining balance on the RGA will be voided. Obsolete parts will be accepted up to 12 months following the date discontinued in the current price list. Non-cataloged or custom ordered items are not returnable. Returns will be credited at the lower of the current or July 1, 2008 price list. Annual returns will only be accepted within the appointed quarter in which your company name begins with.

## Customers:

A – F: First Quarter  
G – K: Second Quarter  
L – Q: Third Quarter  
R – Z: Fourth Quarter

A written copy from Dynaflex of the Return Goods Authorization (RGA) is required prior to returning merchandise. All returns must be shipped prepaid to Dynaflex, Commerce, CA and have the RGA number clearly and boldly marked on the outside of the shipping box (s) or the shipment may be rejected. An RGA is only valid for 30 days after being issued if received after this time frame the shipment will be rejected.

All shipping costs, including duties, brokerage fees, drayage, etc., will be at purchaser's cost.

## Special Order Products

Return on special order products will only be allowed for defects in material or workmanship as covered under the Limited Warranty section of these terms and conditions.

## Obsolete Parts

Obsolete parts, discontinued parts, or parts that are over one year old from date of original shipment may not be returned for credit.

## Claims

Only Prepaid Freight Claims will be considered. Damaged or short package claims must be reported in writing within 15 Days of receipt of order to [claims@dynaflexproducts.com](mailto:claims@dynaflexproducts.com) or our customer service department at 800-334-3363. Freight collect claims must be reported directly to freight carrier and are the responsibility of the customer.

## Warranty Claims

Dynaflex Products warrants the products or components parts sold conform to the specifications and physical descriptions contained in any or all Dynaflex Product literature, including but not limited to product catalogs, flyers or individual sale sheets. The Limited Warranty appearing on any or all Dynaflex Product literature is exclusive and is in lieu of all warranties whether written, oral or implied, including any warranty on fit or purpose.

## Limited Warranty

This warranty applies to and is for the benefit of the original purchaser only.

Dynaflex Products are warranted for one year from date of purchase with proof of purchase only. If proof of purchase cannot be supplied, then the warranty will be from date of shipment, against defect in material and workmanship. This warranty does not apply if the defects are due to accident, neglect, corrosive environments, other abnormal service conditions, or if the defect in question may have been caused by improper use or installation. Specifically, our chrome exhaust kits can only qualify for a warranty if the taper lock seam was protected and sealed using genuine Dynaflex Products parts.

This warranty is limited to the provisions shown and Dynaflex Products does not assume responsibility for the cost of removal or installation of the product or any consequential expense.

Should the product appear to be defective within the warranty period, it should be returned to any participating dealer selling Dynaflex Products. If their inspection confirms that the product failed as result of material or workmanship, and Dynaflex Products accepts responsibility the product will be replaced at no charge.



made  
in **USA**

**Corporate Office**

6466 Gayhart Street  
Commerce, CA 90040

**Telephone:** 1 323 724 1555

**Fax:** 1 323 724 2999

**E-mail:** [info@dynaflexproducts.com](mailto:info@dynaflexproducts.com)

**Factory Distribution Center**

**Southwest Regional Warehouse**

15015 Beltwood Parkway East  
Addison, TX 75001

**Telephone:** 1 800 334 3363 **Option# 9**

**Mid States Regional Warehouse**

1250 Saline Road  
North Kansas City, MO 64116

**Telephone:** 1 800 334 3363 **Option# 8**